

[54] COMPARTMENTED SERVING TRAY

[76] Inventor: David A. Shack, 2160 Lyndway Rd., Beachwood, Ohio 44122

[\*\*] Term: 14 Years

[21] Appl. No.: 908,995

[22] Filed: May 24, 1978

[51] Int. Cl. .... D7-99

[52] U.S. Cl. .... D7/38; D7/27

[58] Field of Search ..... D7/1, 3, 23, 43, 27, D7/96, 37, 38, 45, 52; D9/184, 185, 187, 188

[56] References Cited

U.S. PATENT DOCUMENTS

D. 30,561	4/1899	Schubert	.....	D7/1
D. 70,480	6/1926	Kopel	.....	D7/38 X
D. 155,753	10/1949	Warner	.....	D7/38
D. 233,501	11/1974	Zeischegg	.....	D7/38 X

FOREIGN PATENT DOCUMENTS

523378 8/1921 France ..... D7/27

OTHER PUBLICATIONS

Housewares, Nov. 1976, p. 10, Twin Bowl Planter in top left panel.

Primary Examiner—Winifred E. Herrmann  
Attorney, Agent, or Firm—Carl A. Rankin

[57] CLAIM

The ornamental design for a compartmented serving tray, as shown.

DESCRIPTION

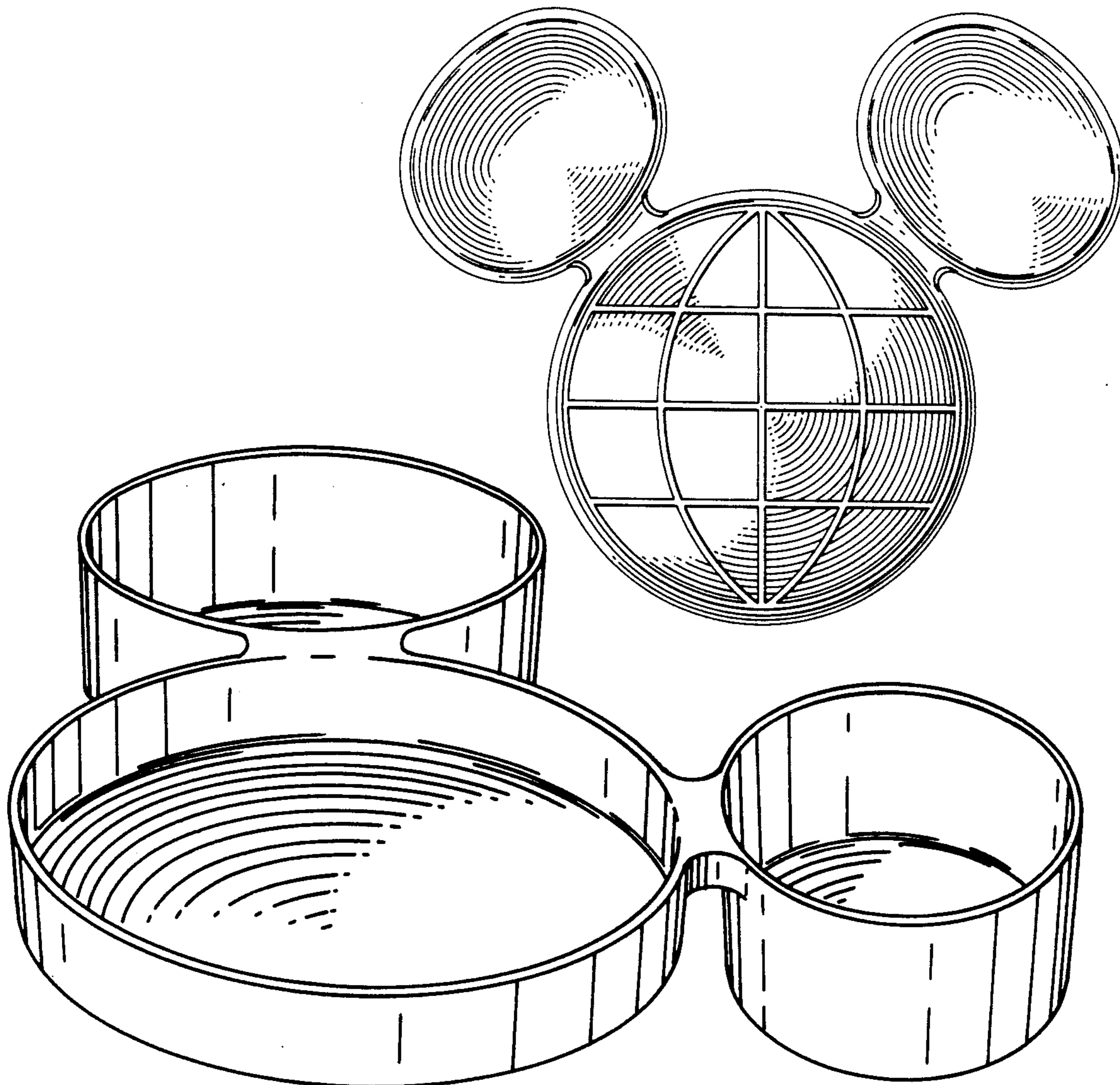
FIG. 1 is a top perspective view of a compartmented serving tray showing my new design;

FIG. 2 is a top plan view thereof;

FIG. 3 is a side elevational view thereof;

FIG. 4 is a sectional view thereof taken on lines 4-4 of FIG. 2; and

FIG. 5 is a bottom plan view thereof.



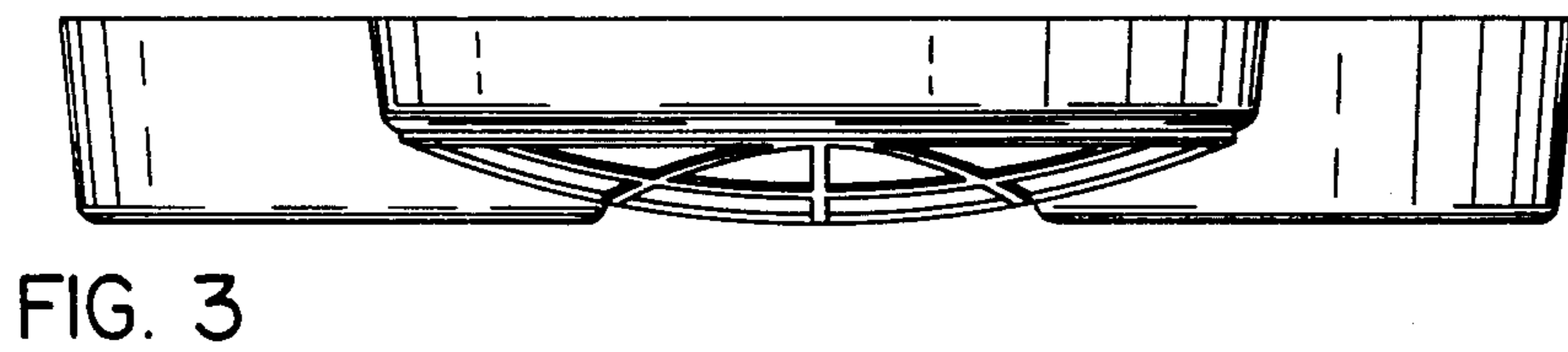
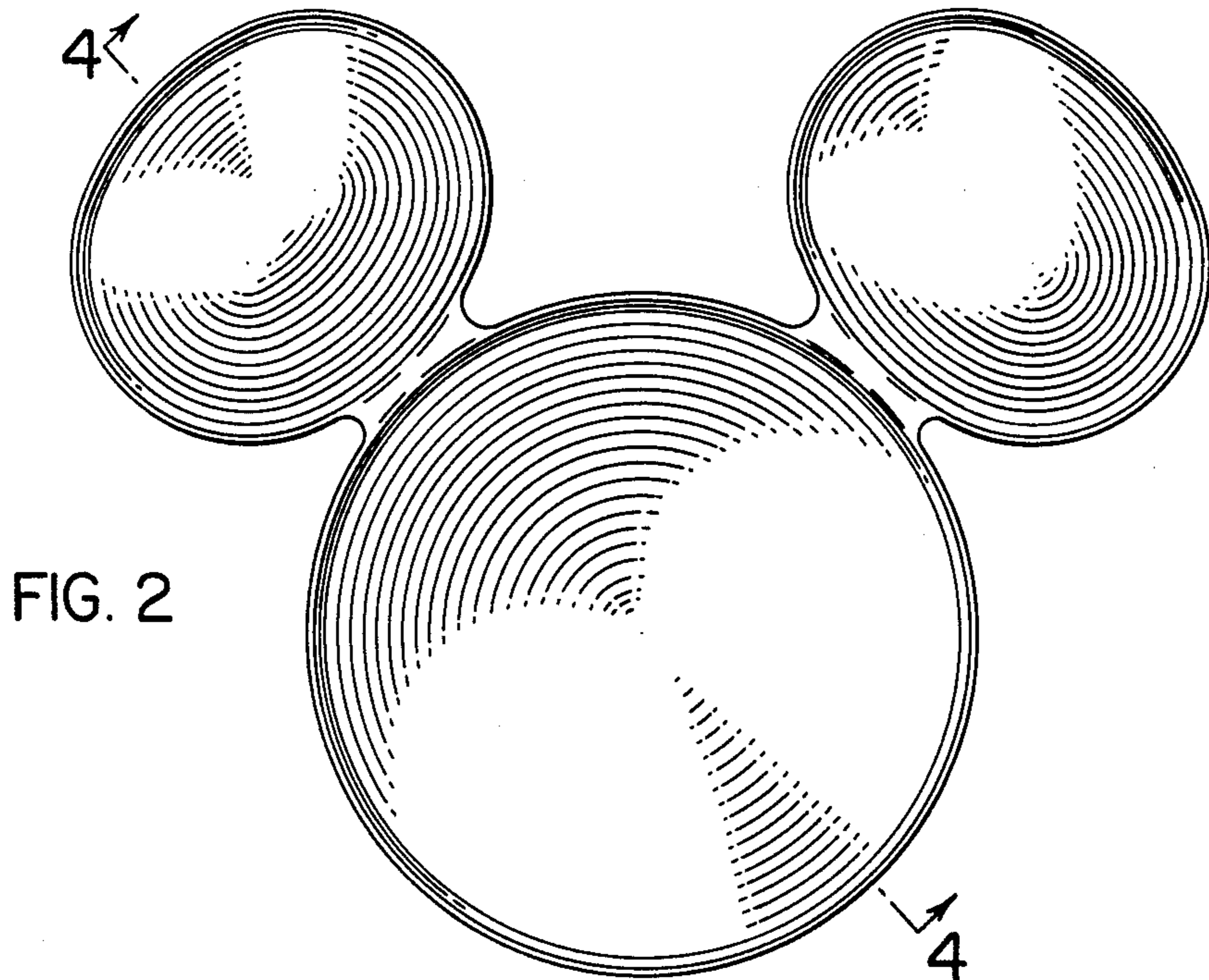
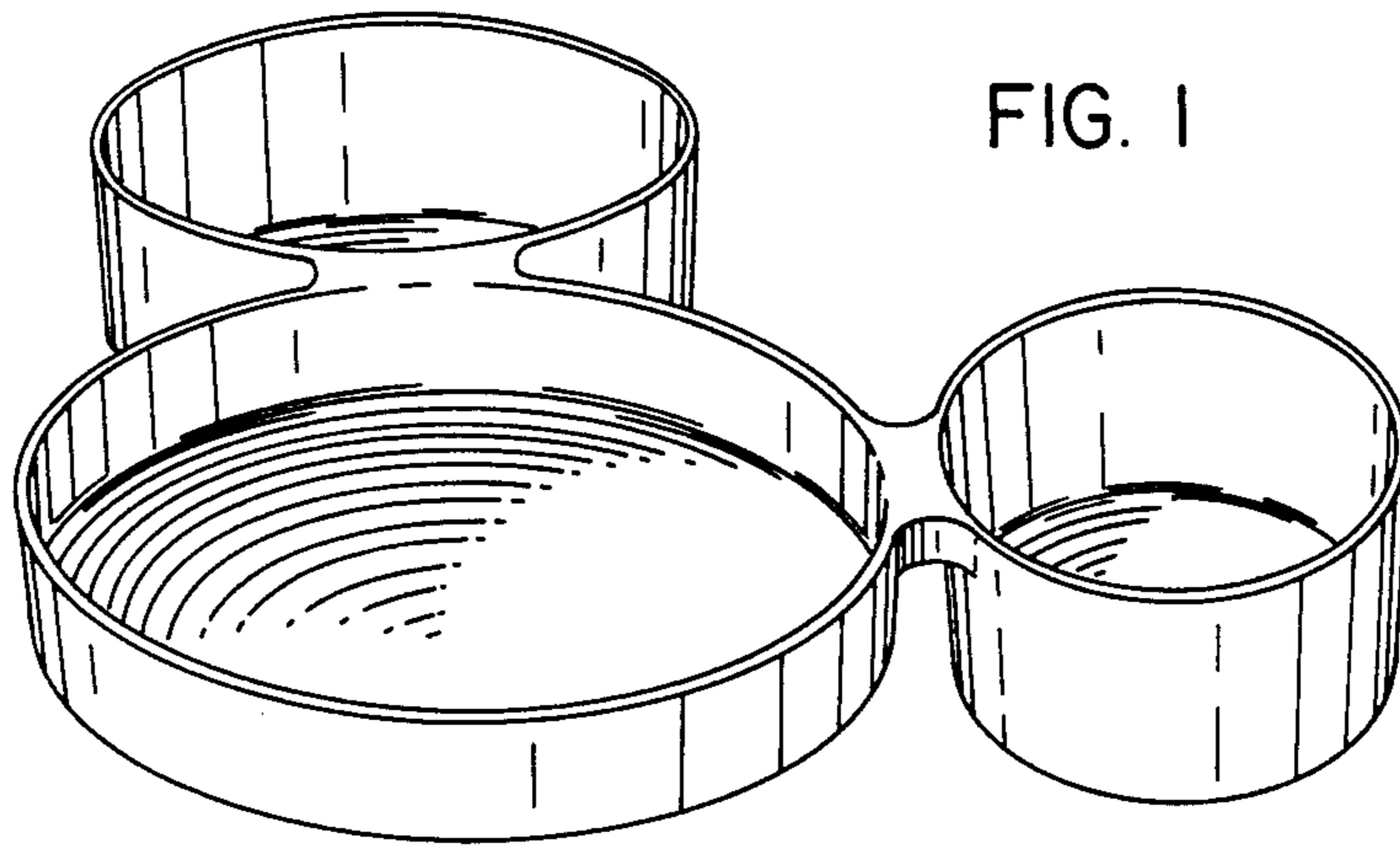


FIG. 4

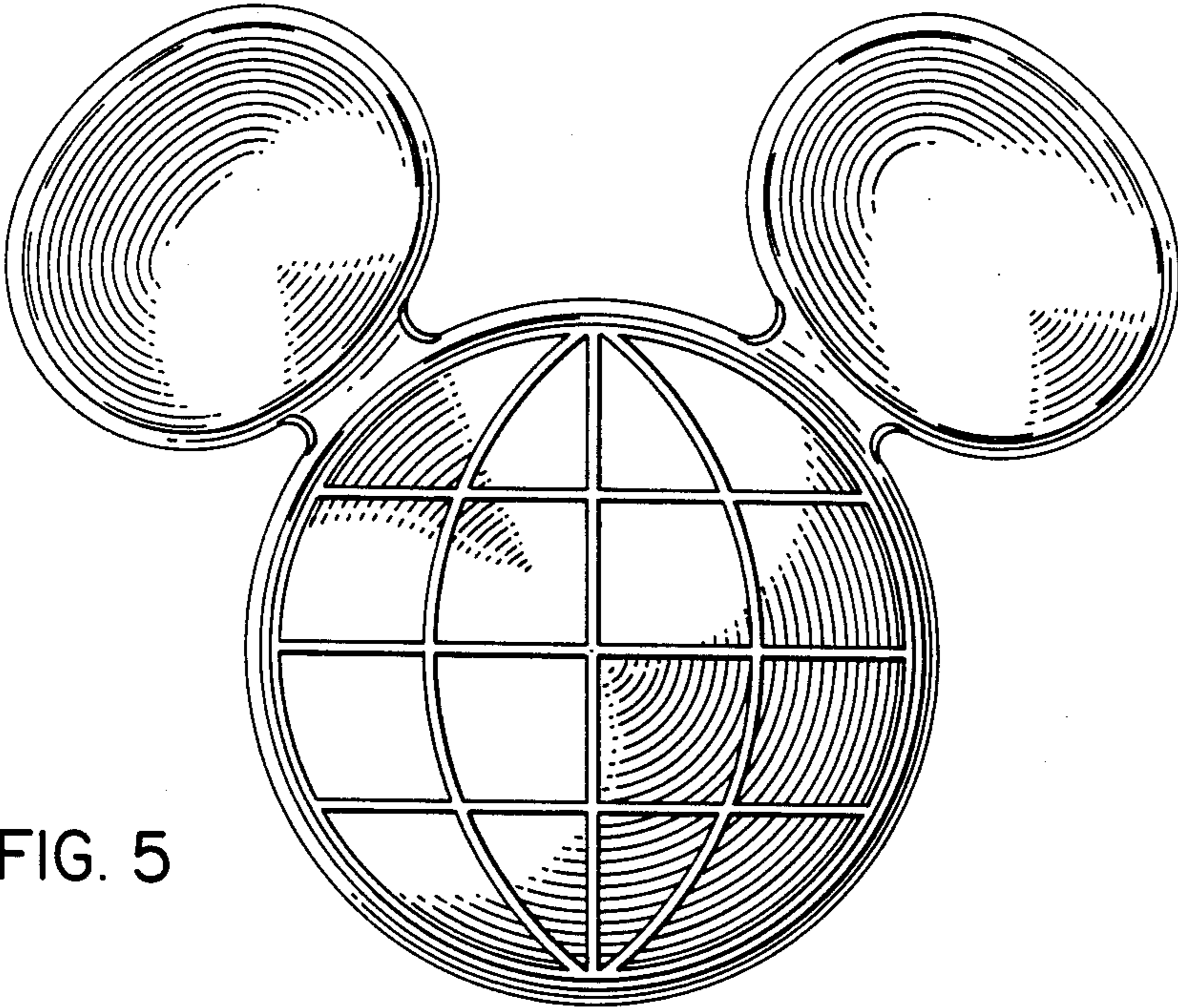
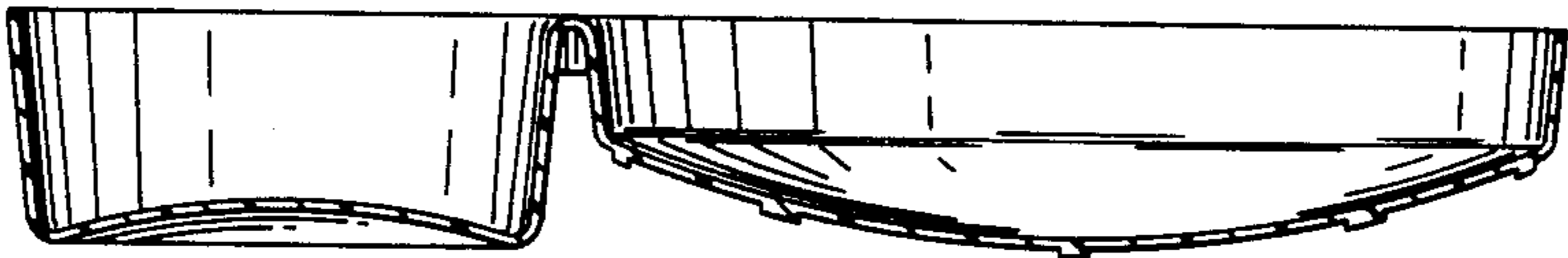


FIG. 5