

- [54] **SUPPORT FOR USE WITH ELECTRONIC COMPUTER UNITS**
- [75] Inventor: **David A. O'Connor**, Virginia Beach, Va.
- [73] Assignee: **Virginia National Bankshares, Inc.**, Norfolk, Va.
- [\*\*] Term: **14 Years**
- [21] Appl. No.: **880,977**
- [22] Filed: **Feb. 24, 1978**

**Related U.S. Application Data**

- [62] Division of Ser. No. 669,604, Mar. 23, 1976.
- [51] Int. Cl. .... **D6-99**
- [52] U.S. Cl. .... **D6/191; D6/85; D6/157; D6/186; D6/190**
- [58] Field of Search ..... **D6/164, 191, 181, 186, D6/158, 159, 85, 162, 165, 166, 167, 169**

- [56] **References Cited**  
**U.S. PATENT DOCUMENTS**
- |            |        |                    |          |
|------------|--------|--------------------|----------|
| D. 241,549 | 9/1976 | Rota .....         | D6/164 X |
| D. 243,306 | 2/1977 | Moyer .....        | D6/191   |
| 3,095,975  | 7/1963 | Cassel et al. .... | D6/191 X |
- Primary Examiner*—Bruce W. Dunkins  
*Attorney, Agent, or Firm*—Edward J. Kondracki

[57] **CLAIM**

The ornamental design for a support for use with electronic computer units, as shown and described.

**DESCRIPTION**

FIG. 1 is a perspective view taken from above of a support for use with electronic computer units showing my design; and  
FIG. 2 is a perspective view taken from above and showing a modified form thereof.  
The sides of the support not shown are mirror images of the sides shown while the undisclosed surfaces of the end panels not shown are all conventionally flat and unornamented.

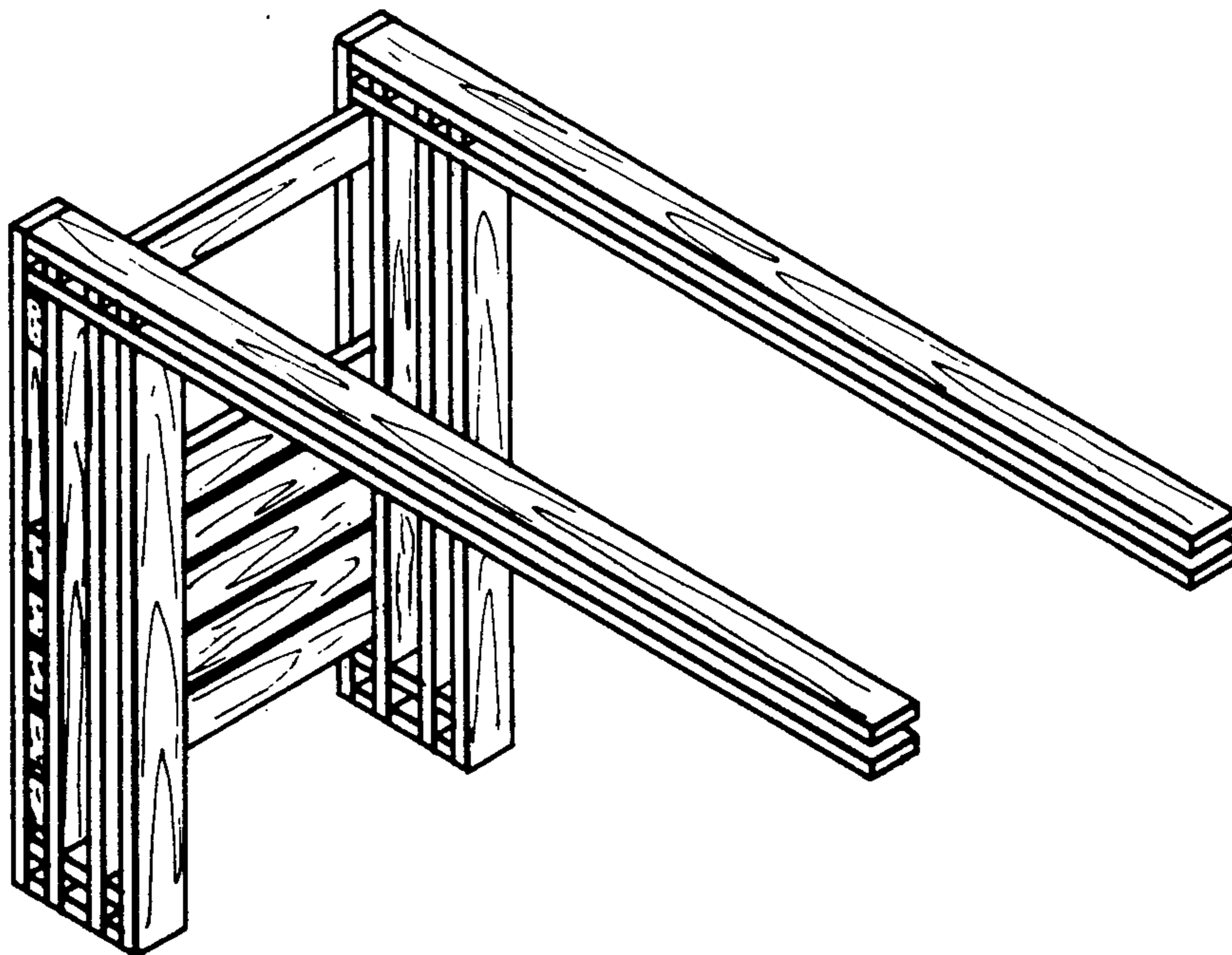


FIG. 1.

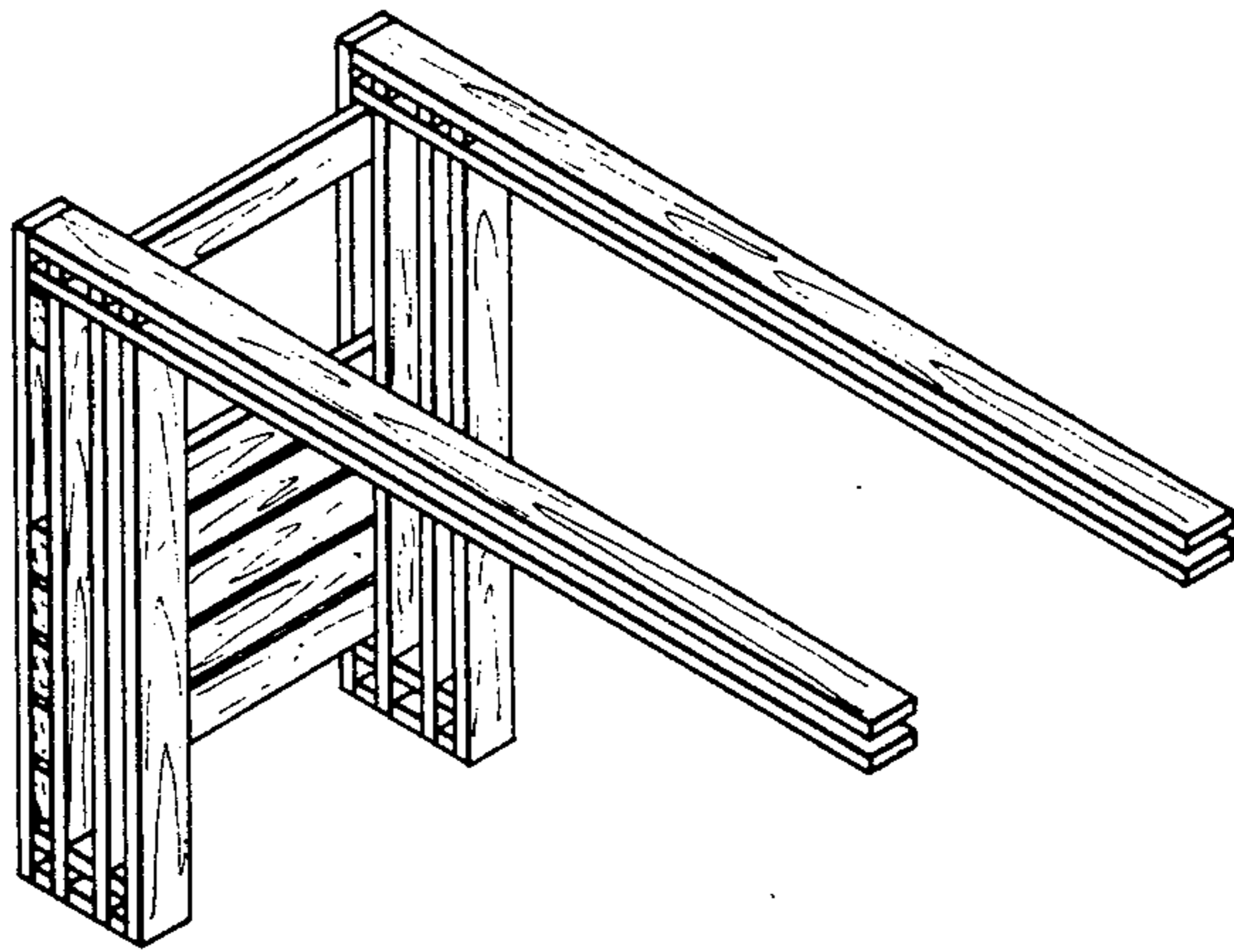


FIG. 2.

