

- [54] COT
- [76] Inventor: **Bertrand M. Baker**, 109 N. Warbler La., Sarasota, Fla. 33577
- [\*\*] Term: **14 Years**
- [21] Appl. No.: **880,313**
- [22] Filed: **Feb. 22, 1978**
- [51] Int. Cl. .... **D6-01**
- [52] U.S. Cl. .... **D6/79; D6/57; D6/59**
- [58] Field of Search ..... **D6/5, 47, 57, 69, 79, D6/177, 198**

[56] **References Cited**

**U.S. PATENT DOCUMENTS**

D. 234,559	3/1975	Waitzman .....	D6/177
D. 237,332	10/1975	Laylon .....	D6/69
D. 249,204	9/1978	Schwartz .....	D6/79 X
D. 250,308	11/1978	Adkinson .....	D6/177 X
2,717,815	9/1955	Hubbard .....	D6/177

**OTHER PUBLICATIONS**

La Costa "Thin Line Retail Price List 1974," 3-25-74, item # 2800-75.

Casual Living, 9-76, p. 4, Lower Photo, Left-Most Item, Keller Scroll Ottoman.

*Primary Examiner*—Joel Stearman

*Assistant Examiner*—Jane E. Corrigan

*Attorney, Agent, or Firm*—Thomas B. Van Poole

[57] **CLAIM**

The ornamental design for a cot, as shown and described.

**DESCRIPTION**

FIG. 1 is a top perspective view of a cot showing my new design;

FIG. 2 is an end elevational view thereof;

FIG. 3 is a side elevational view thereof;

FIG. 4 is a sectional view taken along line 4-4 of FIG. 3; and

FIG. 5 is a sectional view of a leg taken along line 5-5 in FIG. 3; and

FIG. 6 is a top plan view thereof.

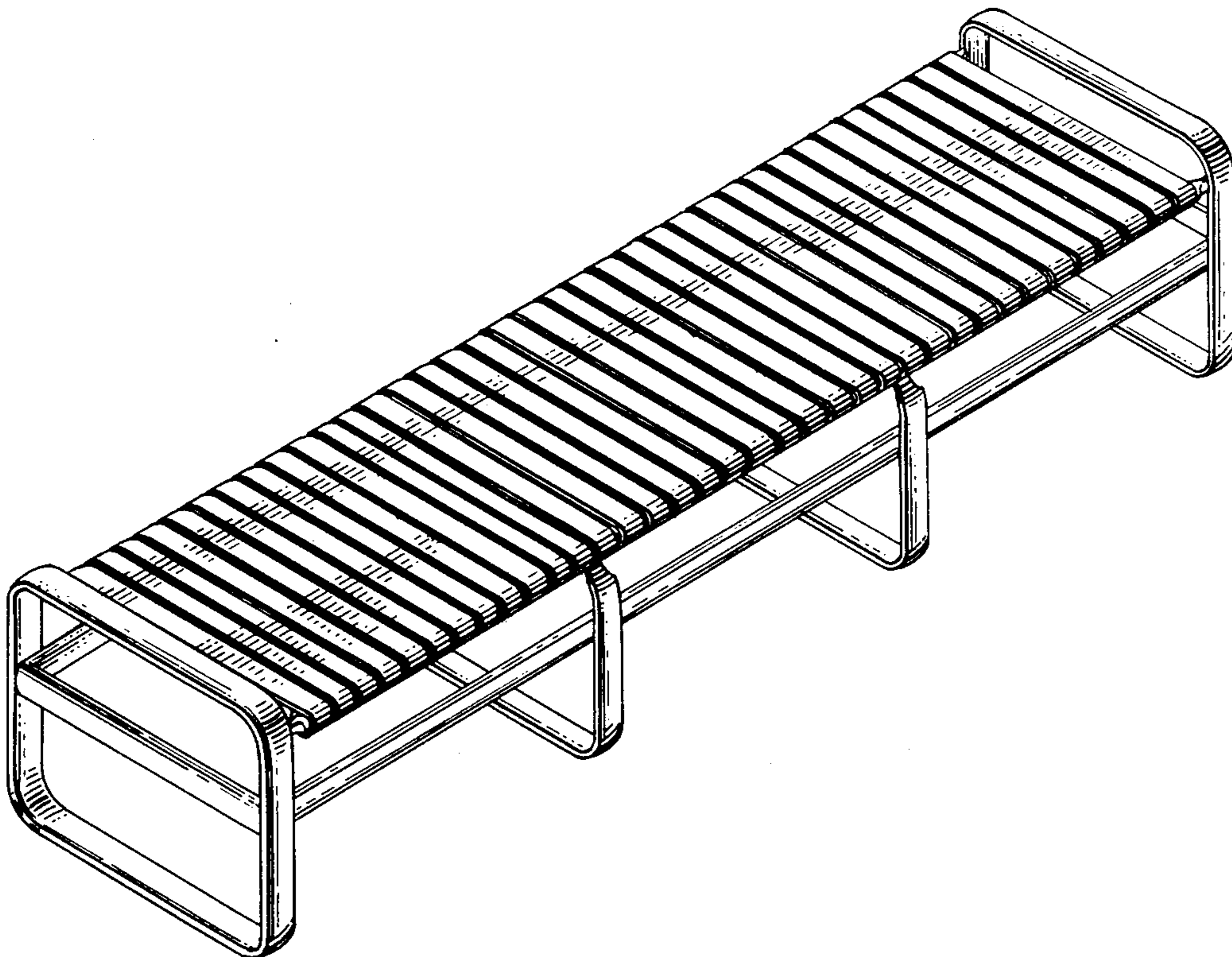


FIG. 1.

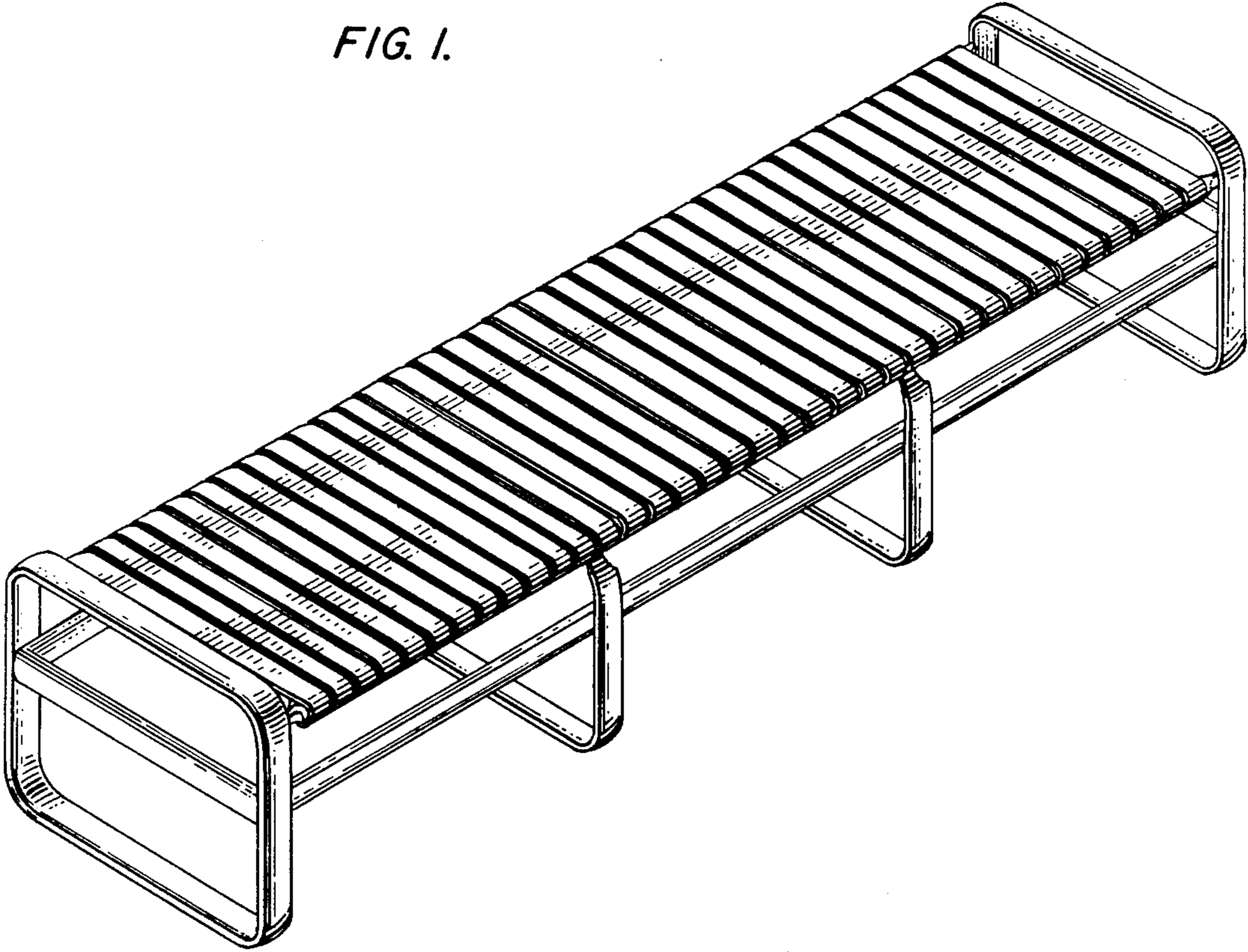


FIG. 2.

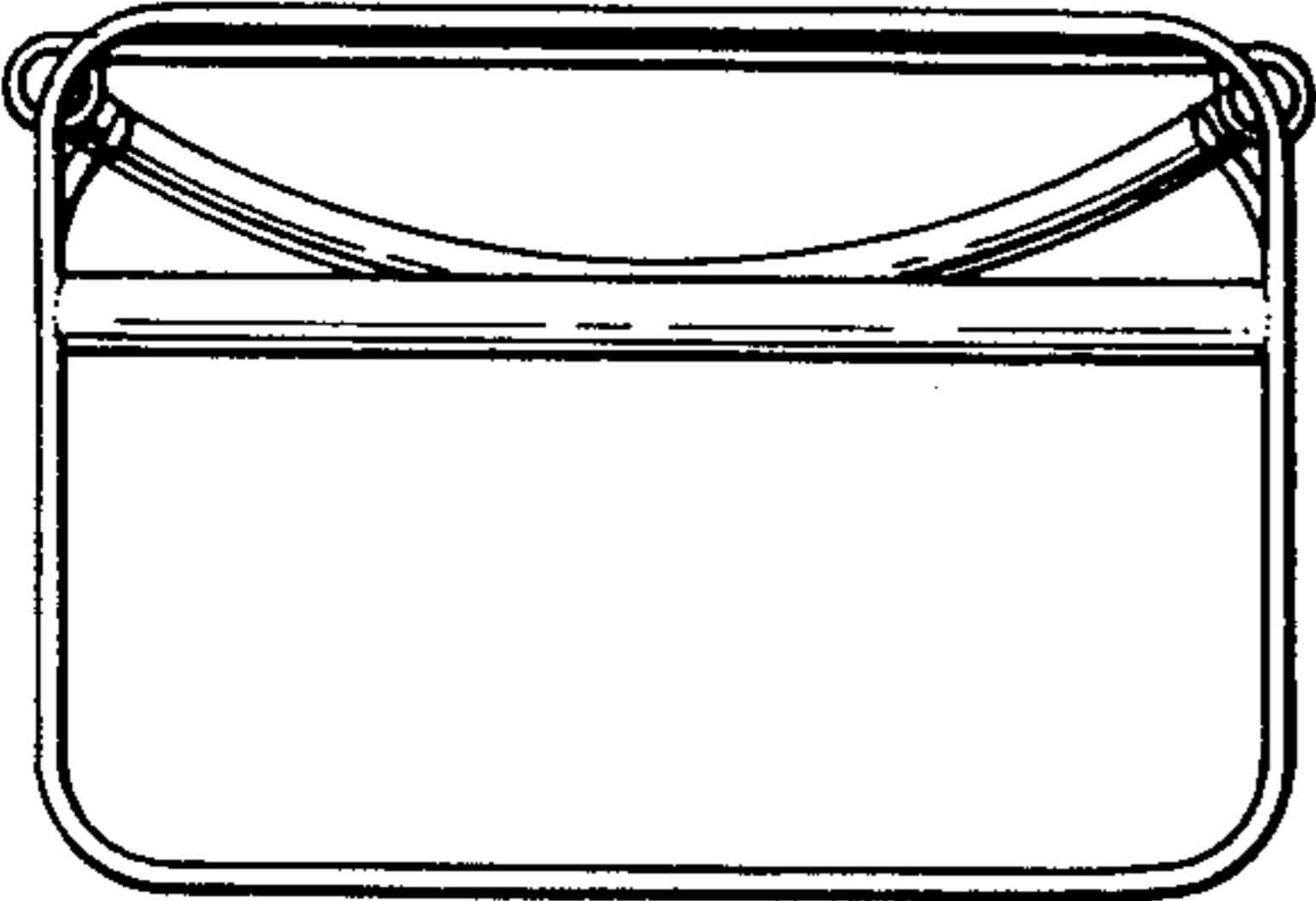


FIG. 4.

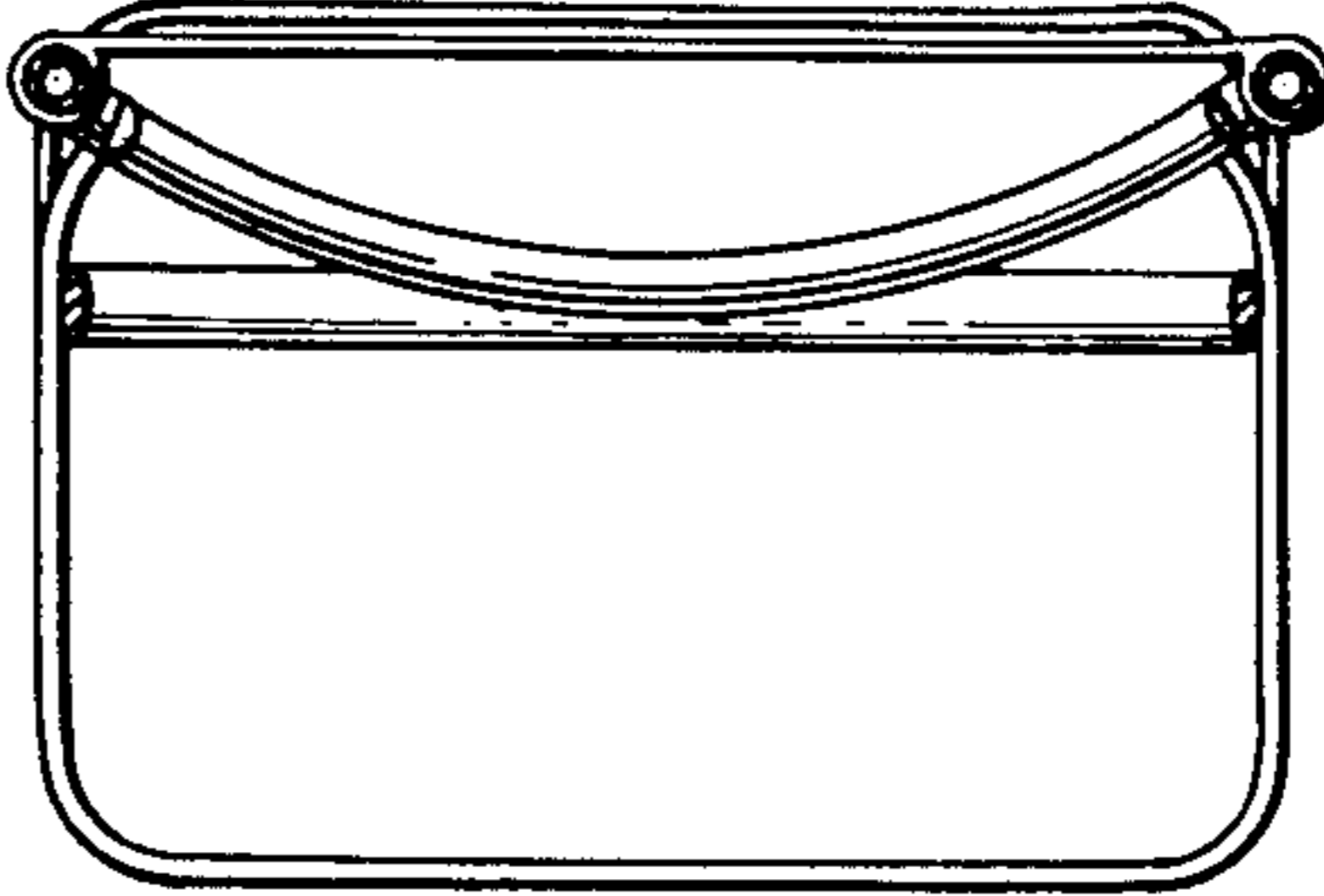


FIG. 3.

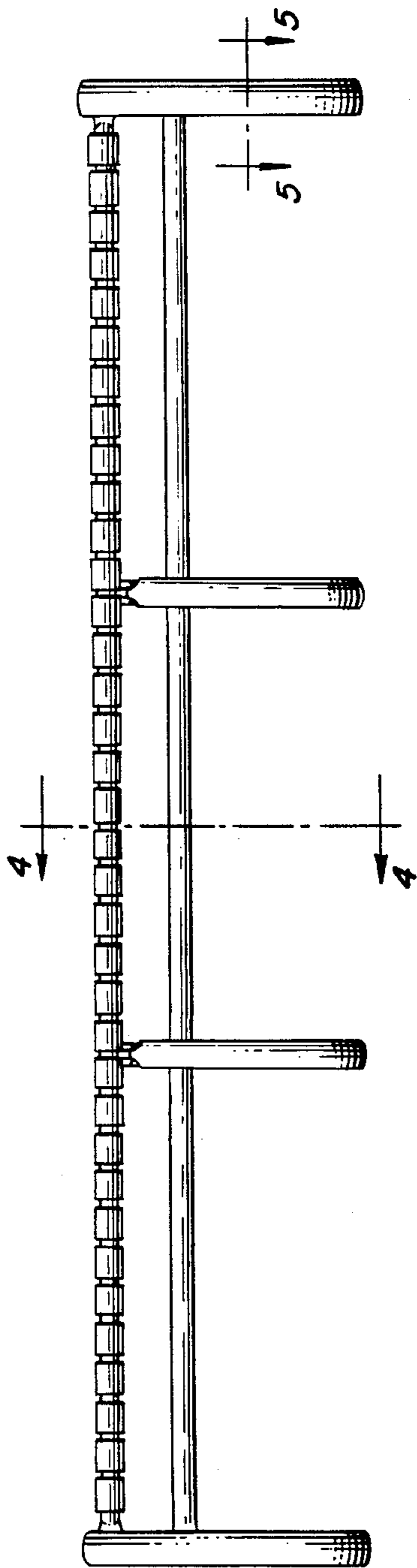


FIG. 5.



FIG. 6.

