

[54] CRADLE OR SIMILAR ARTICLE

[76] Inventor: Michael J. Sedillo, 8565 Stratus Dr., Orangevale, Calif. 95662

[**] Term: 14 Years

[21] Appl. No.: 858,003

[22] Filed: Dec. 6, 1977

[51] Int. Cl. D6-01

[52] U.S. Cl. D6/15

[58] Field of Search D6/14, 15, 16, 10, 11, D6/13, 79-85; D34/15 AC; 5/101, 102, 105, 106, 107

[56] References Cited

U.S. PATENT DOCUMENTS

D. 141,436	6/1945	Allen	D6/15 X
D. 146,944	6/1947	Lisi	D6/15 X
D. 147,787	11/1947	Guastella	D6/15
D. 165,921	2/1952	Ippolito	D6/15 X
D. 181,863	1/1958	Lovett	D6/15 X

D. 184,738	3/1959	Josephson	D6/15 X
D. 236,767	9/1975	McKelvey	D6/15
D. 250,149	11/1978	Smith	D6/15

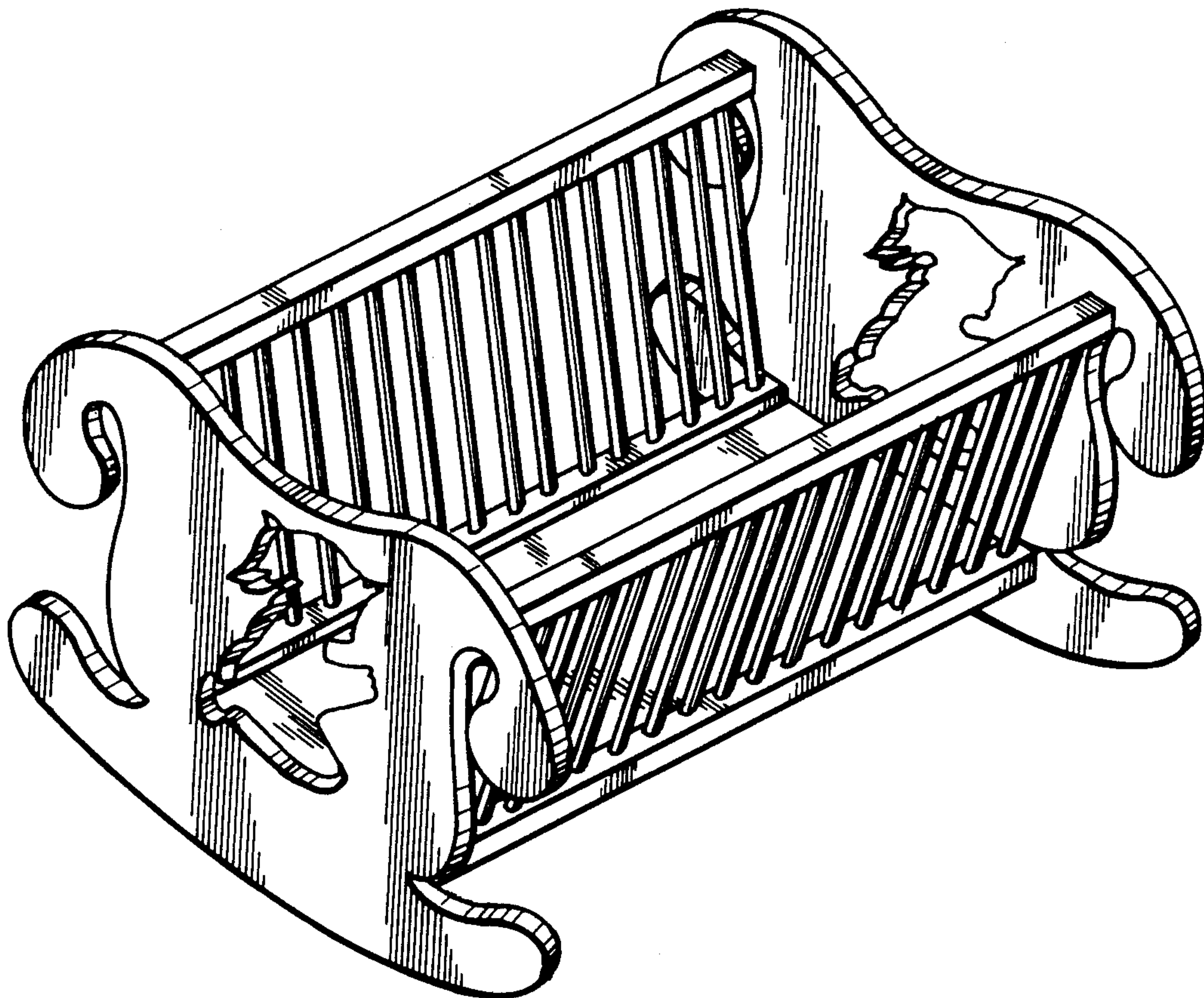
Primary Examiner—Bruce W. Dunkins
Attorney, Agent, or Firm—Mark C. Jacobs

[57] CLAIM

The ornamental design for a cradle or similar article, substantially as shown and described.

DESCRIPTION

FIG. 1 is a perspective view of a cradle or similar article showing my design;
 FIG. 2 is a perspective view of a modified form thereof;
 FIG. 3 is a top plan view;
 FIG. 4 is a bottom plan view;
 FIG. 5 is an elevational view showing one of the two identical sides;
 FIG. 6 is an end view taken from the left in FIG. 1, the appearance of the right end being a mirror image thereof; and
 FIG. 7 is an end view taken from the left in FIG. 2.



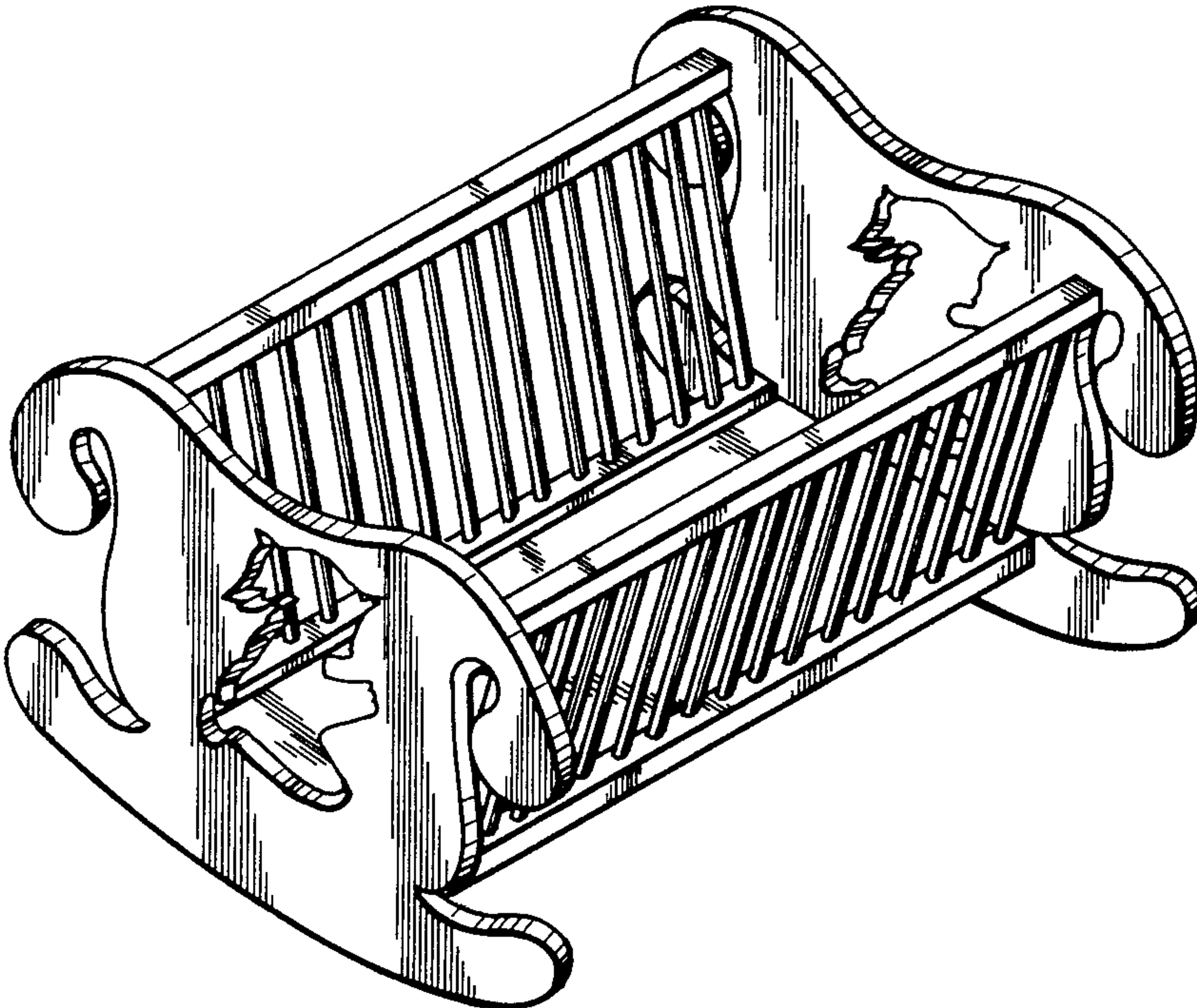


FIG 1

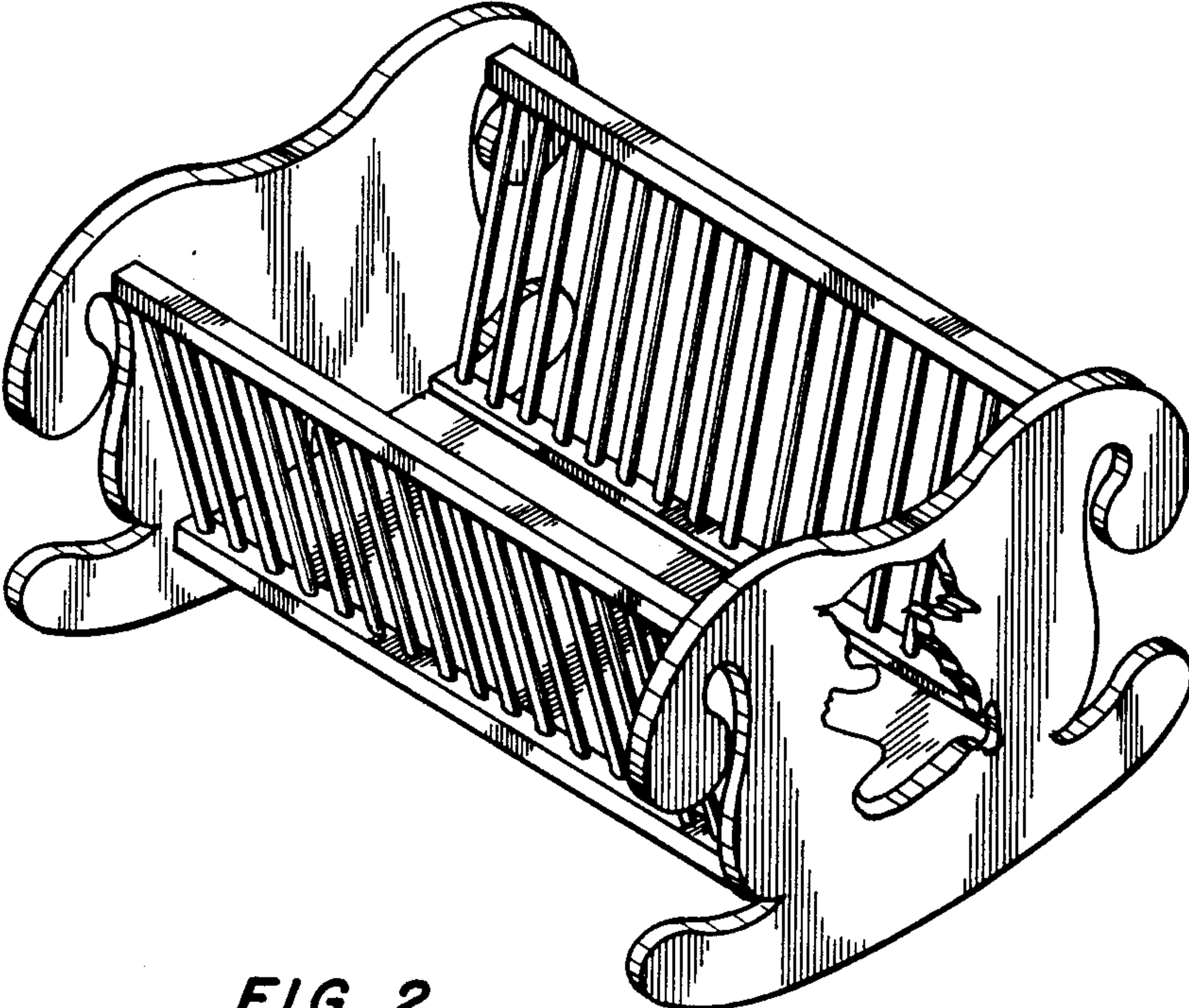


FIG 2

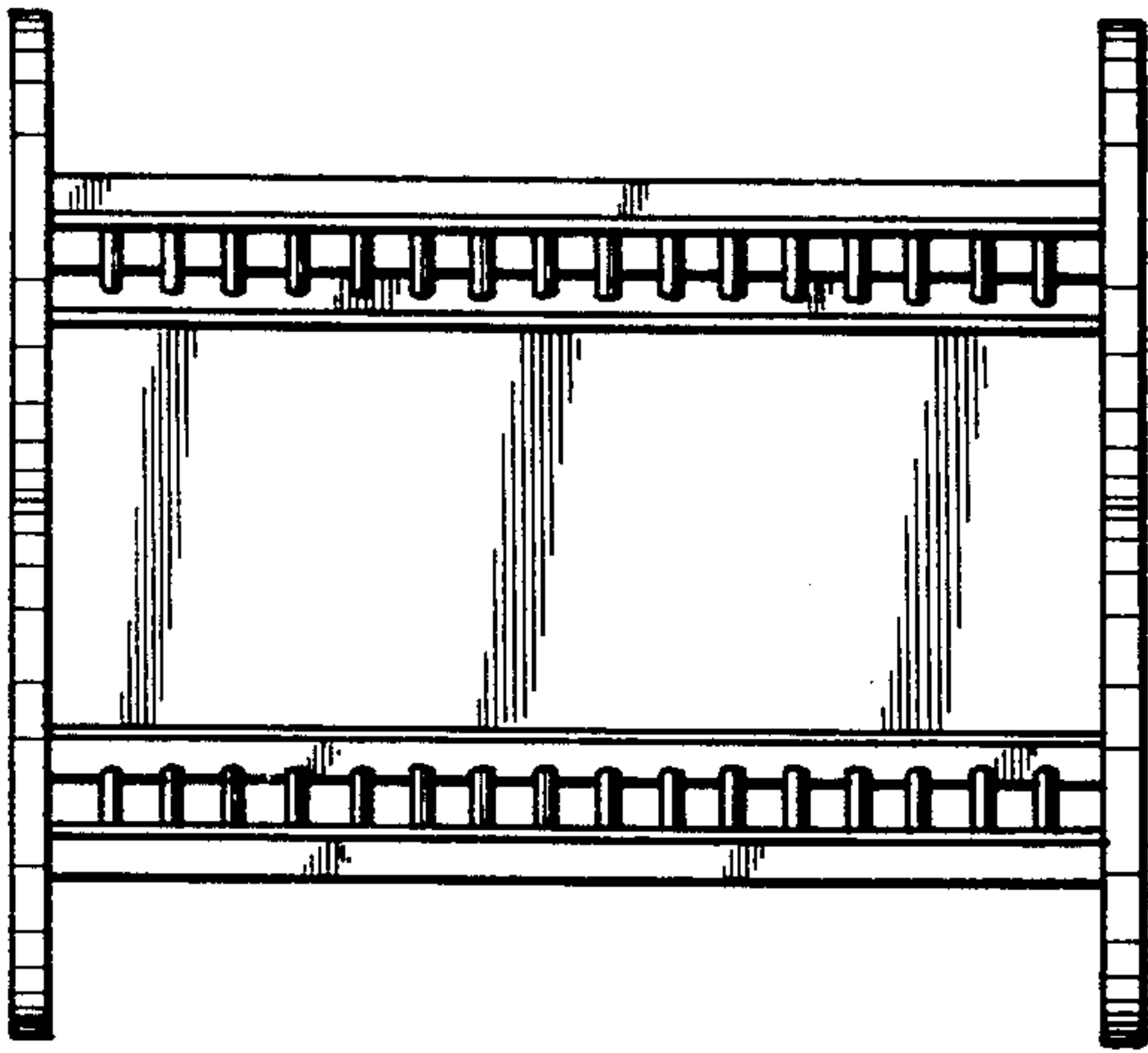


FIG 3

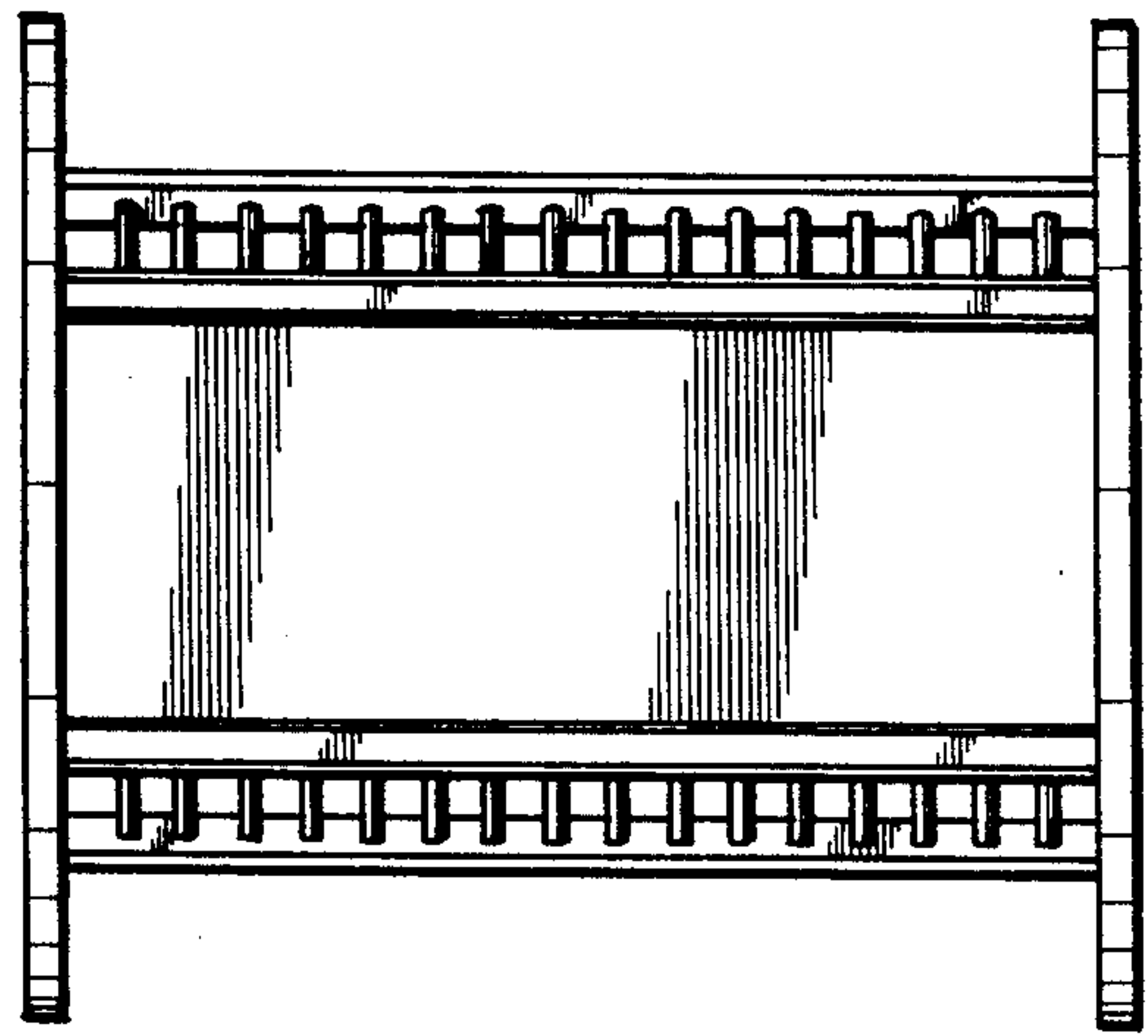


FIG 4

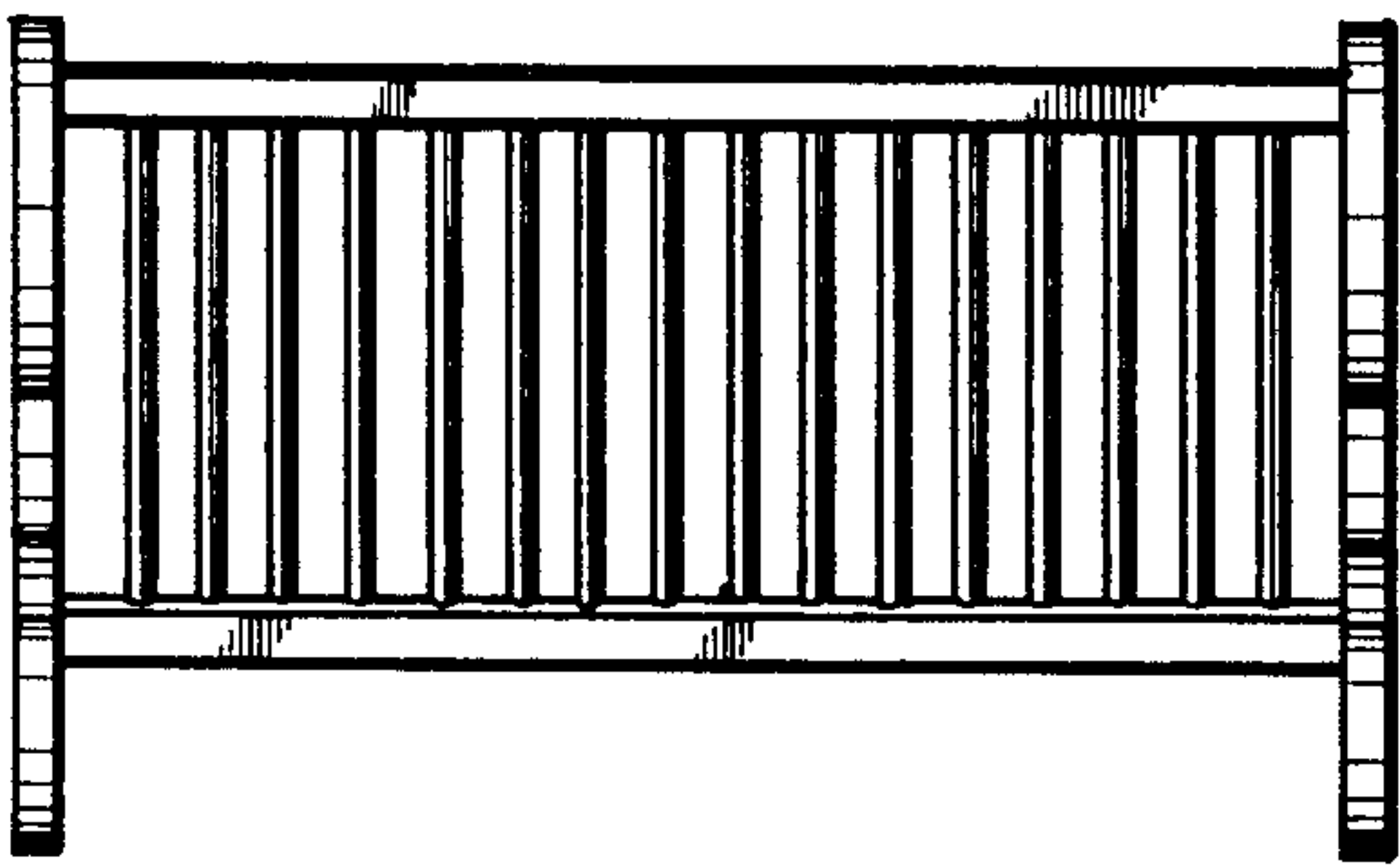


FIG 5

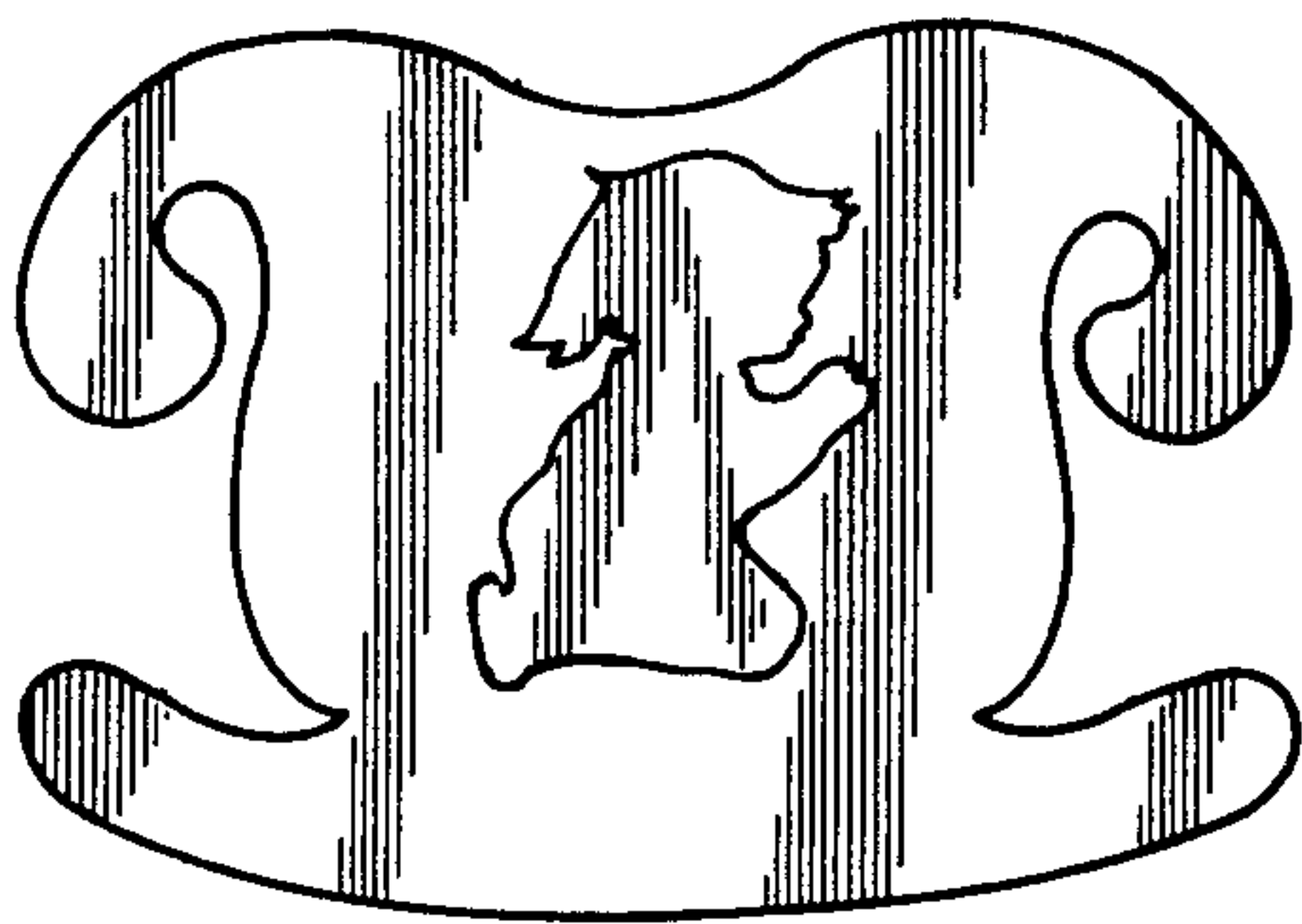


FIG 6

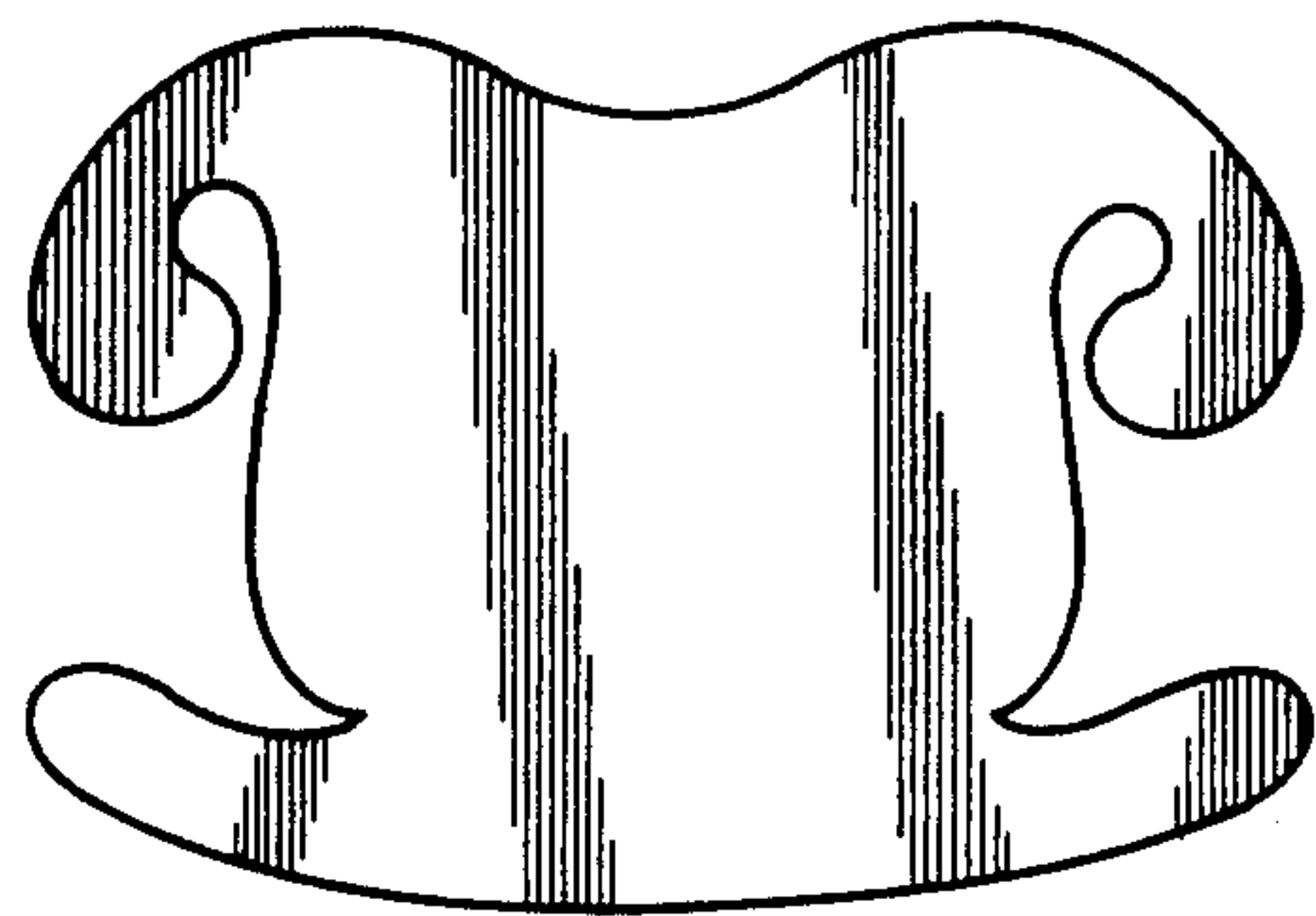


FIG 7