

[54] SUN SHADE OR SIMILAR ARTICLE
 [75] Inventor: Charles E. Browning, 10415 SE.
 174th #5371, Renton, Wash. 98055
 [73] Assignee: Charles E. Browning, Renton, Wash.
 [**] Term: 14 Years
 [21] Appl. No.: 827,163
 [22] Filed: Aug. 24, 1977
 [51] Int. Cl. D25-99
 [52] U.S. Cl. D3/5; D25/56
 [58] Field of Search D88/1, 3 R, 3 A, 3 B;
 135/2, 5 R, 19.5, 20 R, 20 B, 20 M, 26, 25 R, 5
 E, 7.1, 16; D6/200, 20, 23, 24, 194; D3/5;
 D25/31, 56; 248/345

D. 220,015 2/1971 Schremmer D6/20
 1,715,322 5/1929 Foster 135/20 R
 2,341,399 2/1944 Timblin 135/20 R
 3,303,851 2/1967 Grunfeld 135/7.1 R

FOREIGN PATENT DOCUMENTS

322095 5/1957 Switzerland 135/7.1 R

Primary Examiner—Charles A. Rademaker
 Attorney, Agent, or Firm—John O. Graybeal

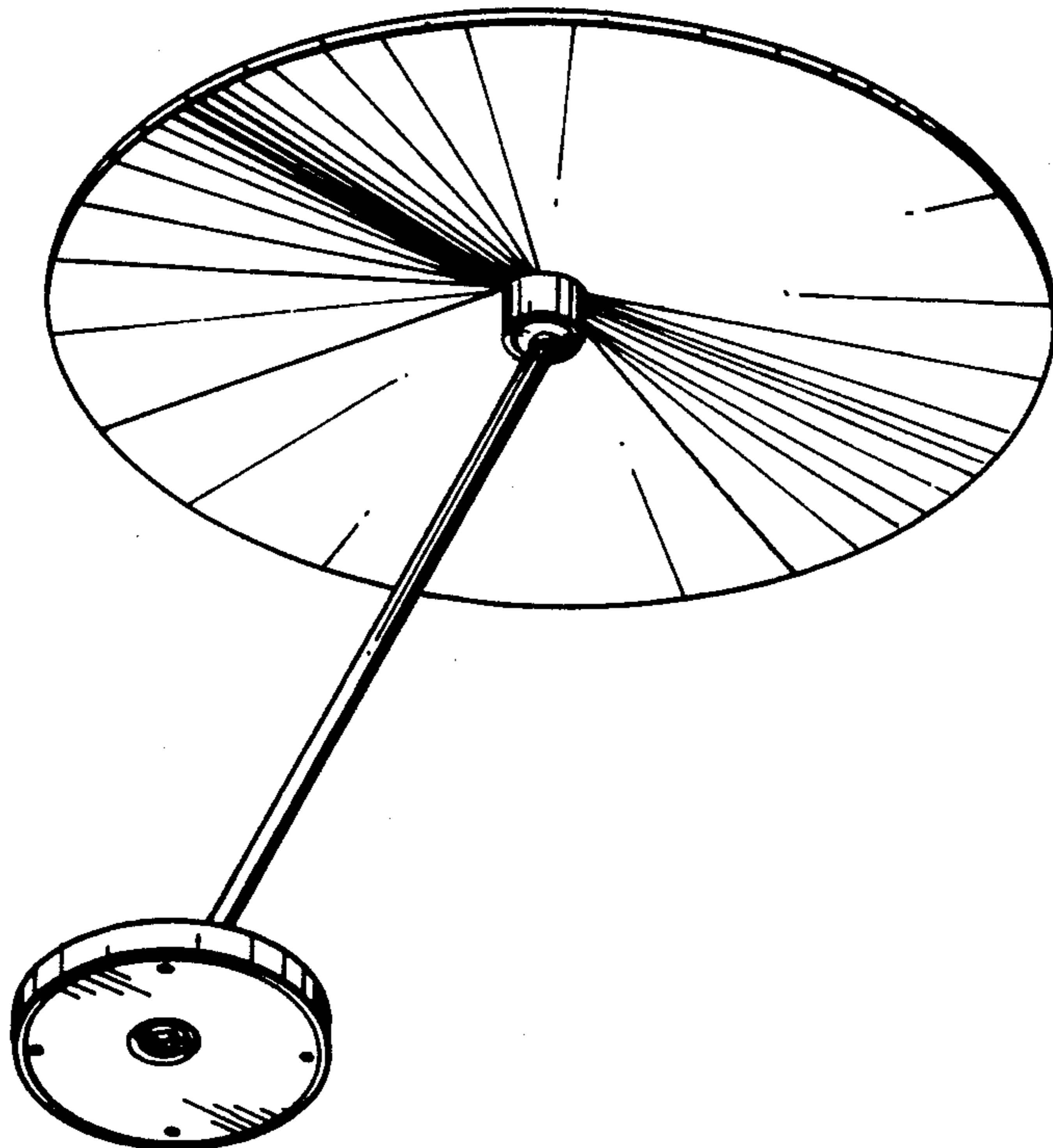
[57] CLAIM

The ornamental design for a sun shade or similar article, substantially as shown.

DESCRIPTION

FIG. 1 is a top perspective view of a sun shade or similar article showing my new design;
 FIG. 2 is a bottom perspective view thereof;
 FIG. 3 is a side elevational view thereof;
 FIG. 4 is a left side elevational view with respect to FIG. 3; and,
 FIG. 5 is a top plan view thereof.

[56] References Cited
 U.S. PATENT DOCUMENTS
 D. 118,584 1/1940 Reynolds D6/20
 D. 214,226 5/1969 Sewell et al. D88/3 B



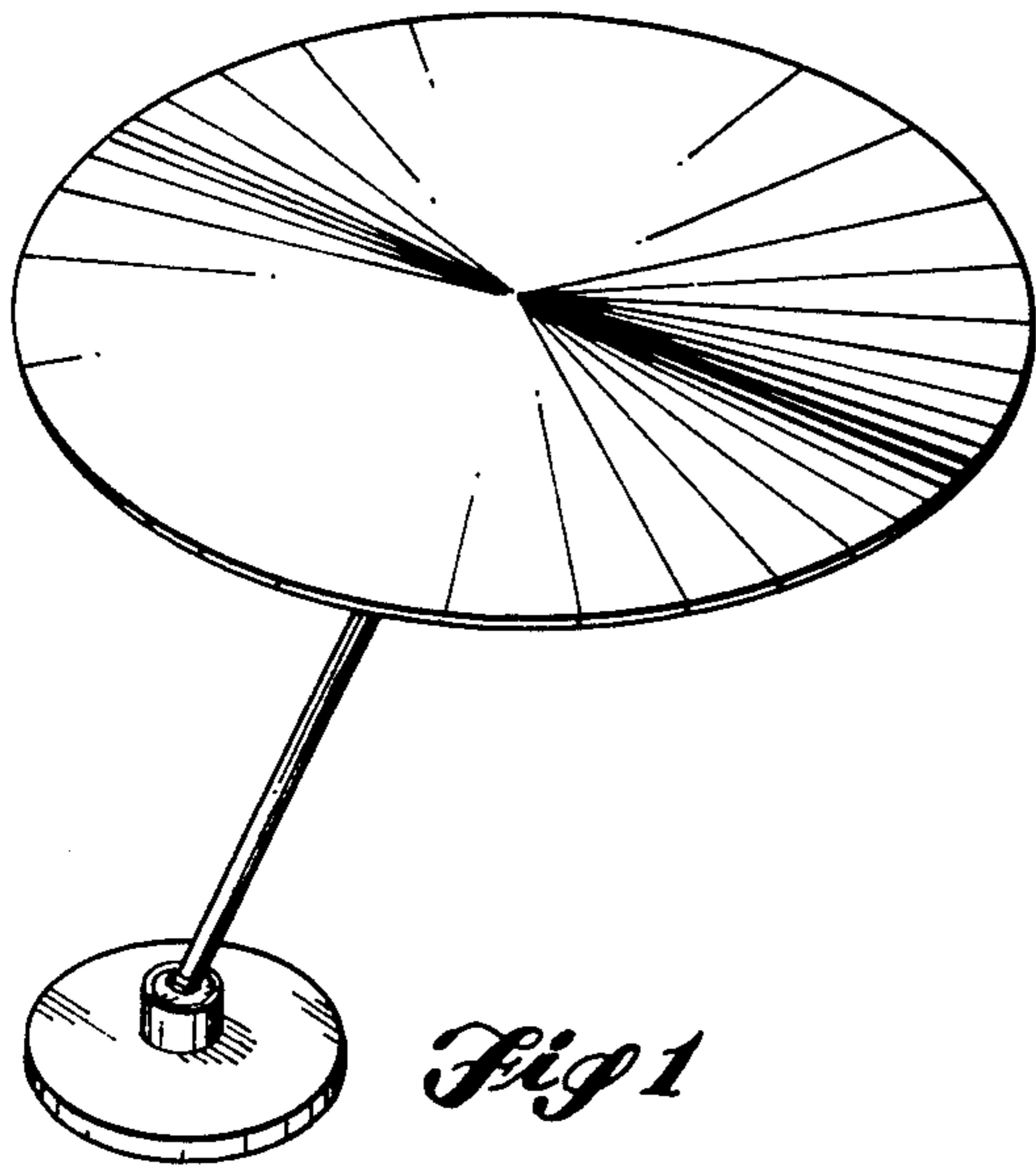


Fig 1

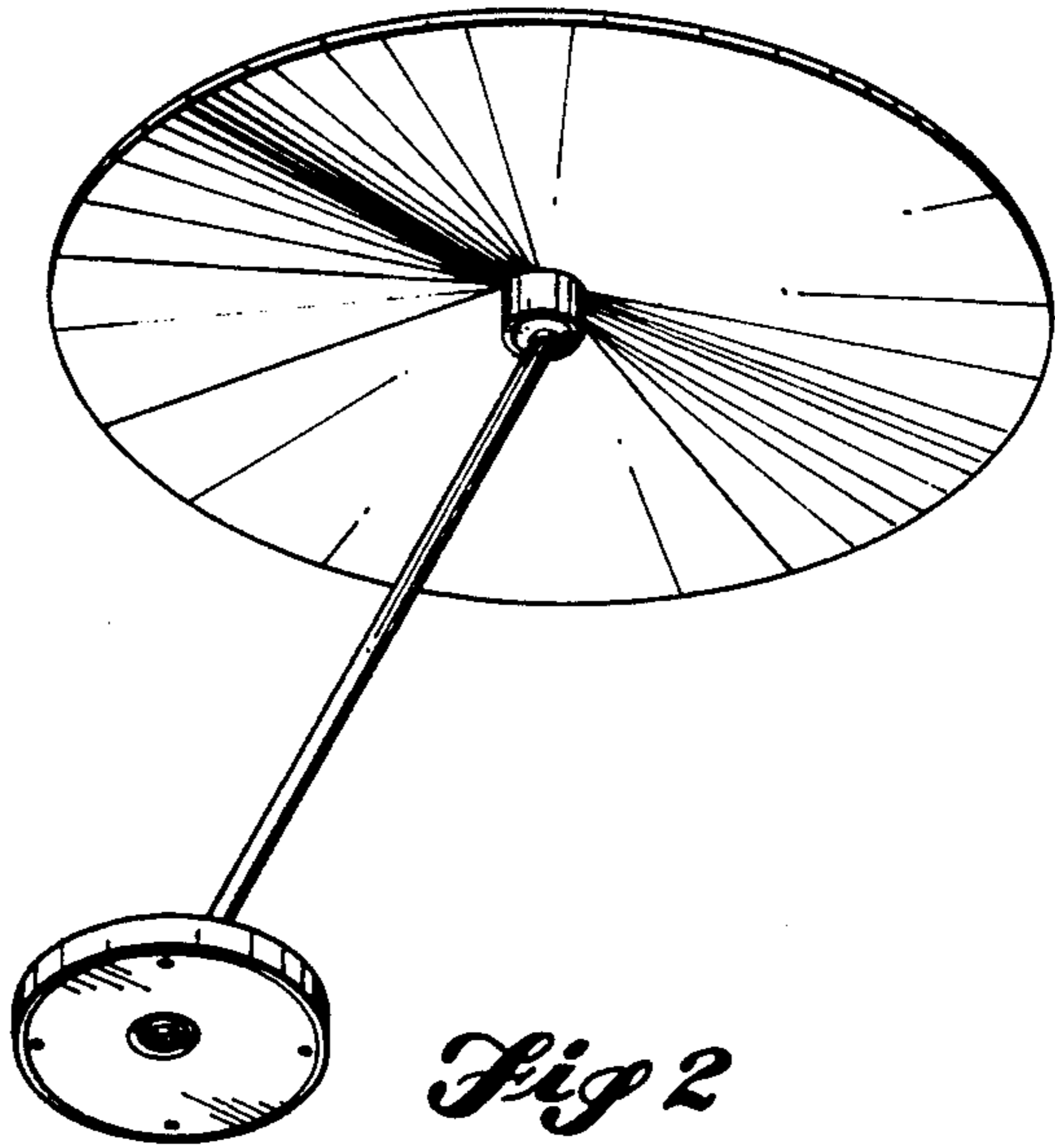


Fig 2

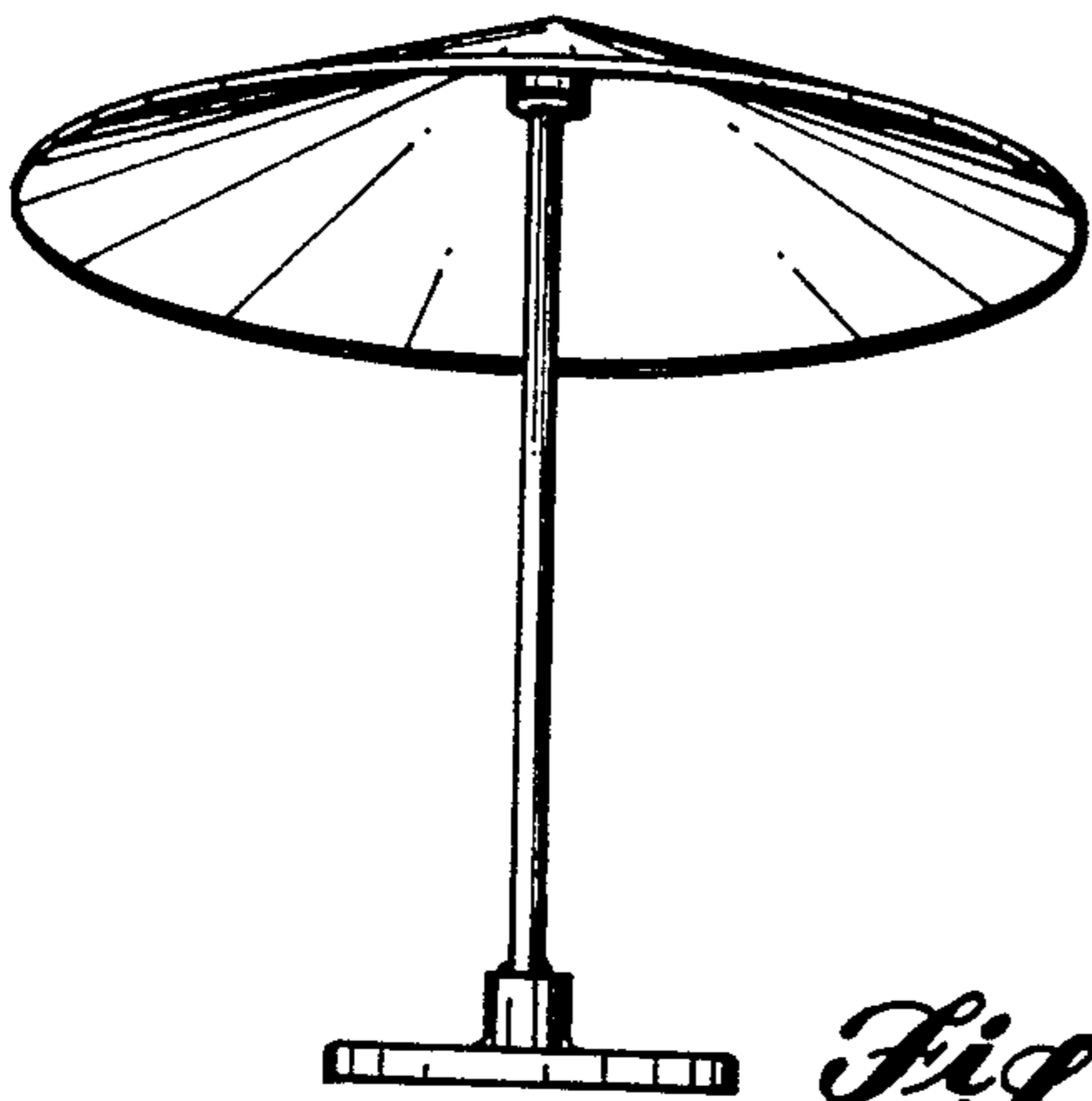


Fig 3

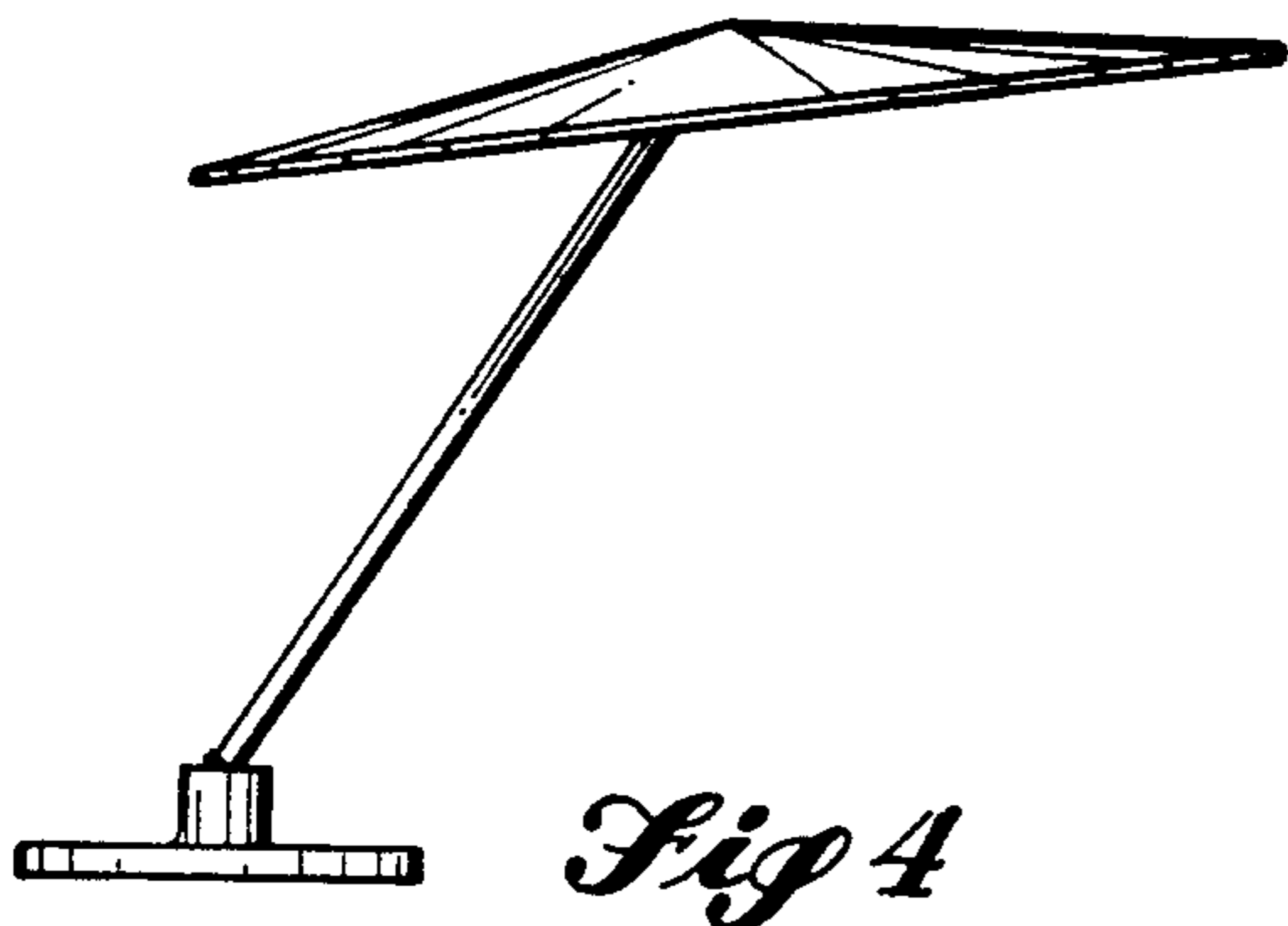


Fig 4

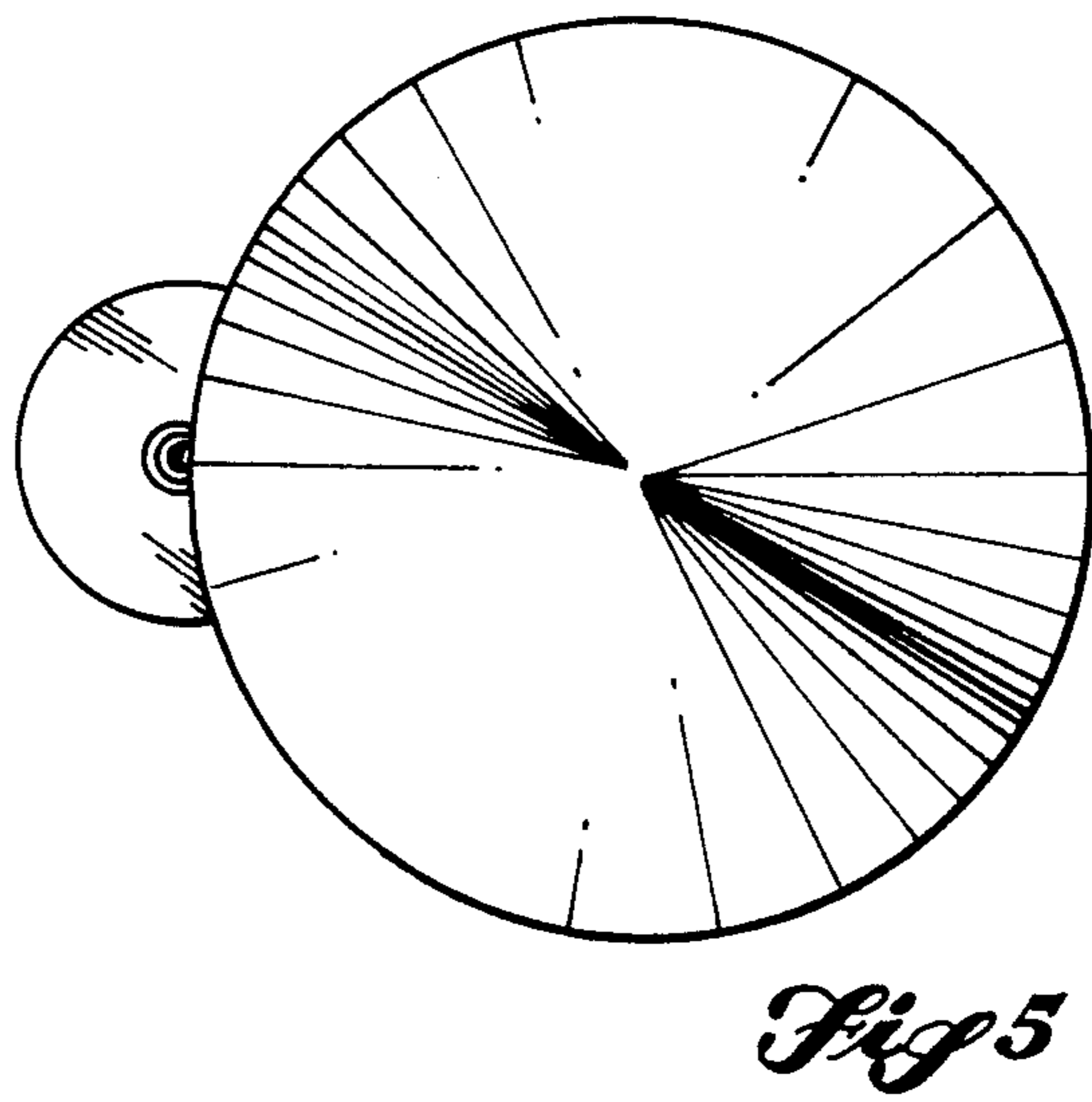


Fig 5