

[54] SOLIDS SEPARATION SCOOP FOR USE IN CLEANING PET LITTER

[75] Inventors: Kenneth F. Halls, Denver; Robert R. Gibbons, Lakewood, both of Colo.; D. Harrison Miller, P.O. Box 84, Fort Collins, Colo. 80522

[73] Assignee: D. Harrison Miller, Fort Collins, Colo.

[**] Term: 14 Years

[21] Appl. No.: 870,891

[22] Filed: Feb. 6, 1978

Related U.S. Application Data

[63] Continuation-in-part of Ser. No. 754,612, Dec. 27, 1976, abandoned.

[51] Int. Cl. D30-99; D7-04; D7-99

[52] U.S. Cl. D30/99; D7/47; D7/104; D7/161

[58] Field of Search D30/99; D7/47, 104, D7/161; 209/417, 418, 419; 294/1 R, 49, 55; 15/257.1, 257.3; 141/108; 119/1

[56] References Cited

U.S. PATENT DOCUMENTS

117,756 8/1871 Farmer 294/55 UX
D. 233,158 10/1974 Lowe, Jr. D30/99

2,718,060 9/1955 Buck, Jr. 294/55

FOREIGN PATENT DOCUMENTS

501202 7/1930 Fed. Rep. of Germany 294/55

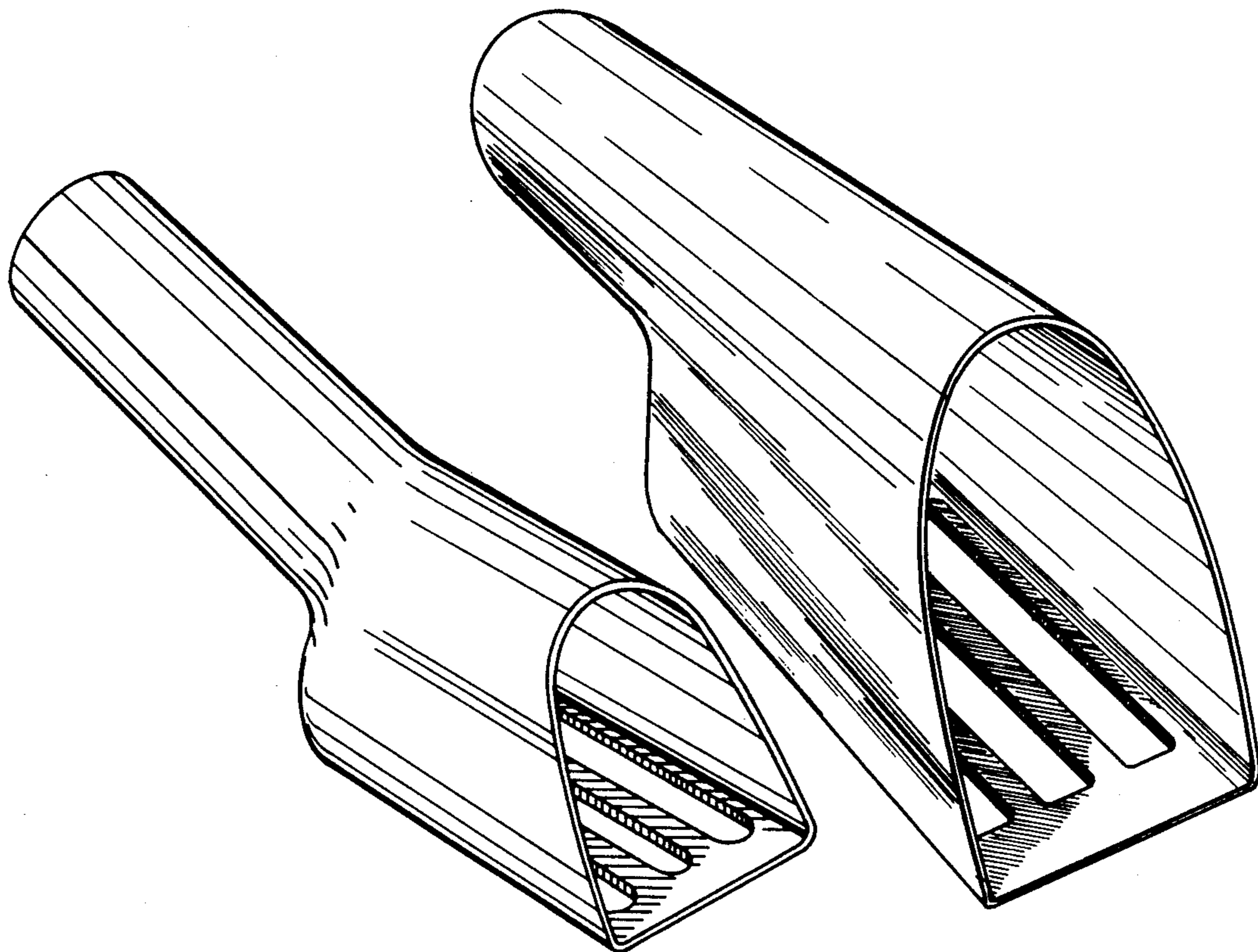
Primary Examiner—Catherine E. Kemper
Attorney, Agent, or Firm—Sheridan, Ross, Fields & McIntosh

[57] CLAIM

The ornamental design for the solids separation scoop for use in cleaning pet litter, as shown and described.

DESCRIPTION

FIG. 1 is a perspective view of a solids separation scoop for use in cleaning pet litter showing our new design; FIG. 2 is a top plan view thereof; FIG. 3 is a side elevational view thereof; FIG. 4 is a bottom plan view thereof; FIG. 5 is a front end elevational view thereof; FIG. 6 is a rear end elevational view thereof; FIG. 7 is a perspective view of a second embodiment of a solids separation scoop for use in cleaning pet litter; FIG. 8 is a top plan view thereof; FIG. 9 is a side elevation view thereof; FIG. 10 is a bottom plan view thereof; FIG. 11 is a handle end view thereof; FIG. 12 is a front end elevational view thereof; and FIG. 13 is a bottom plan view of a third embodiment of a solids separation scoop for use in cleaning pet litter, which differs from the embodiment disclosed in FIGS. 7-12 only in the number and size of the openings in the bottom surface.



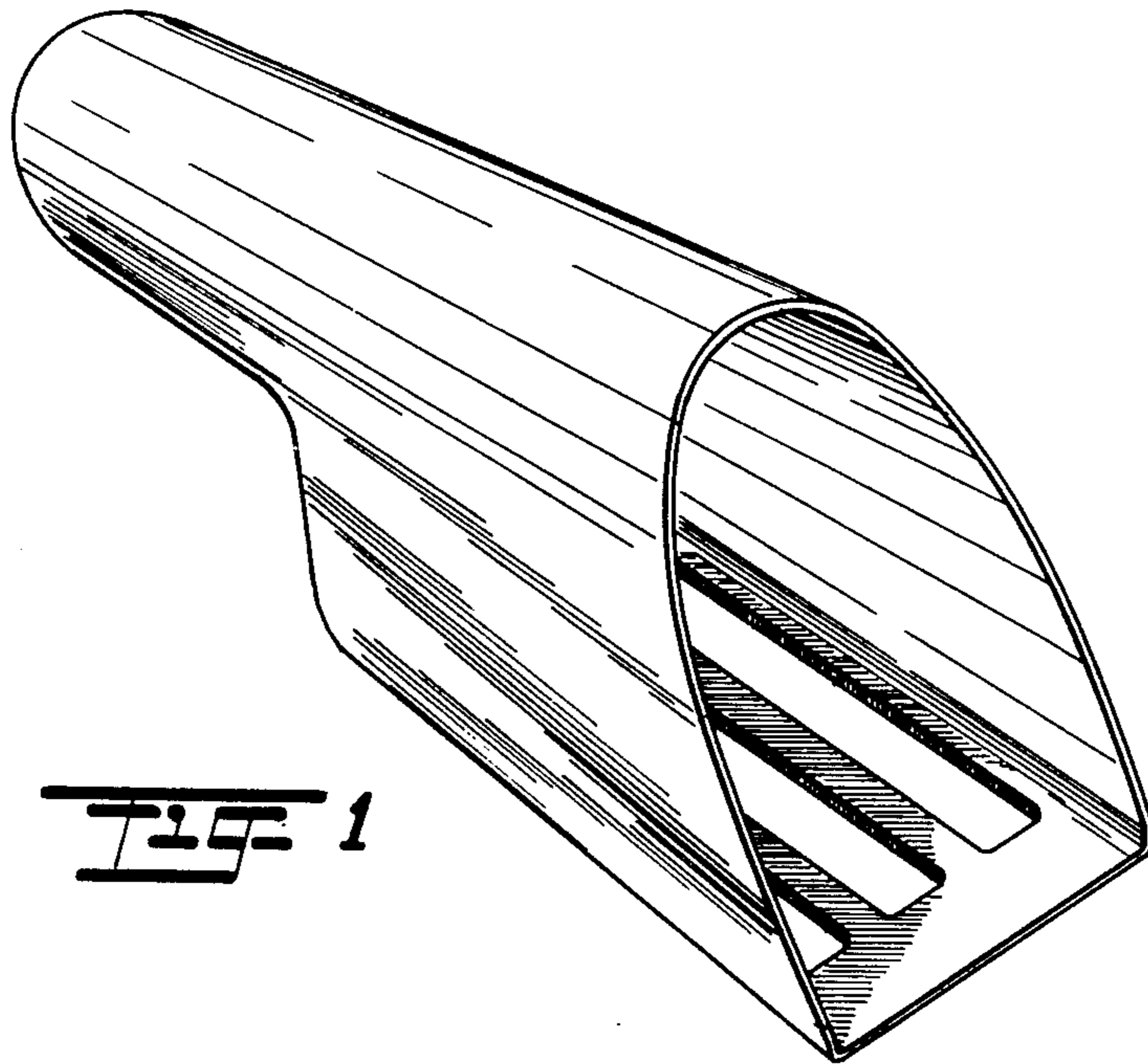


FIG. 1

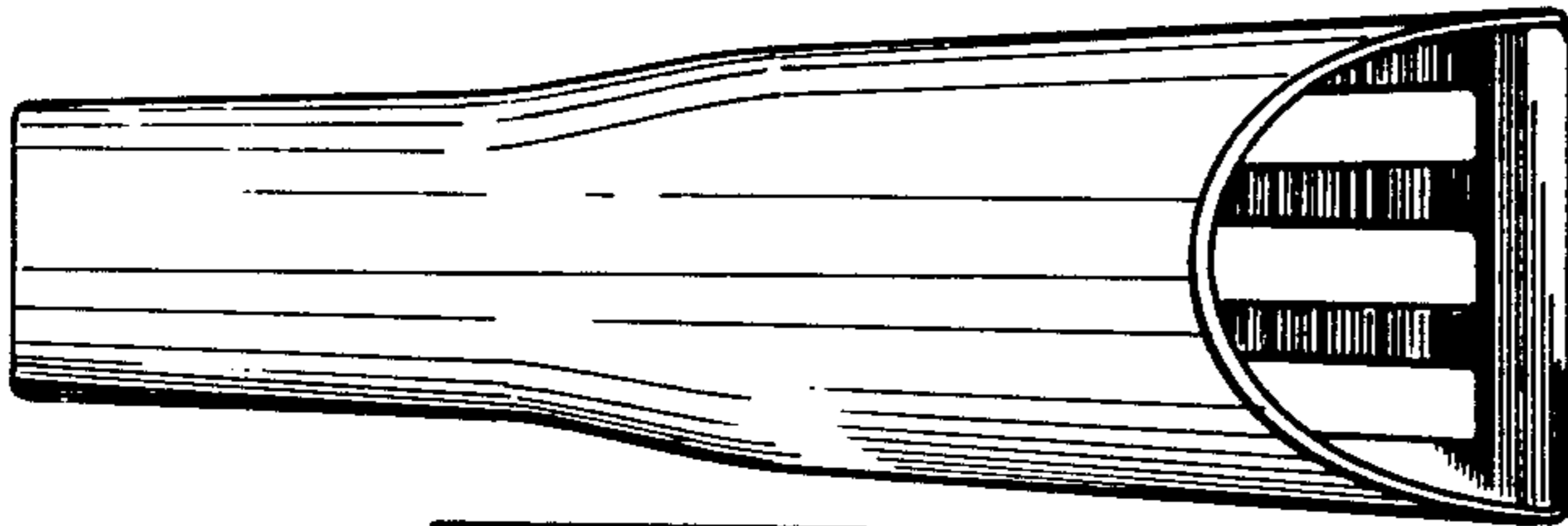


FIG. 2



FIG. 3

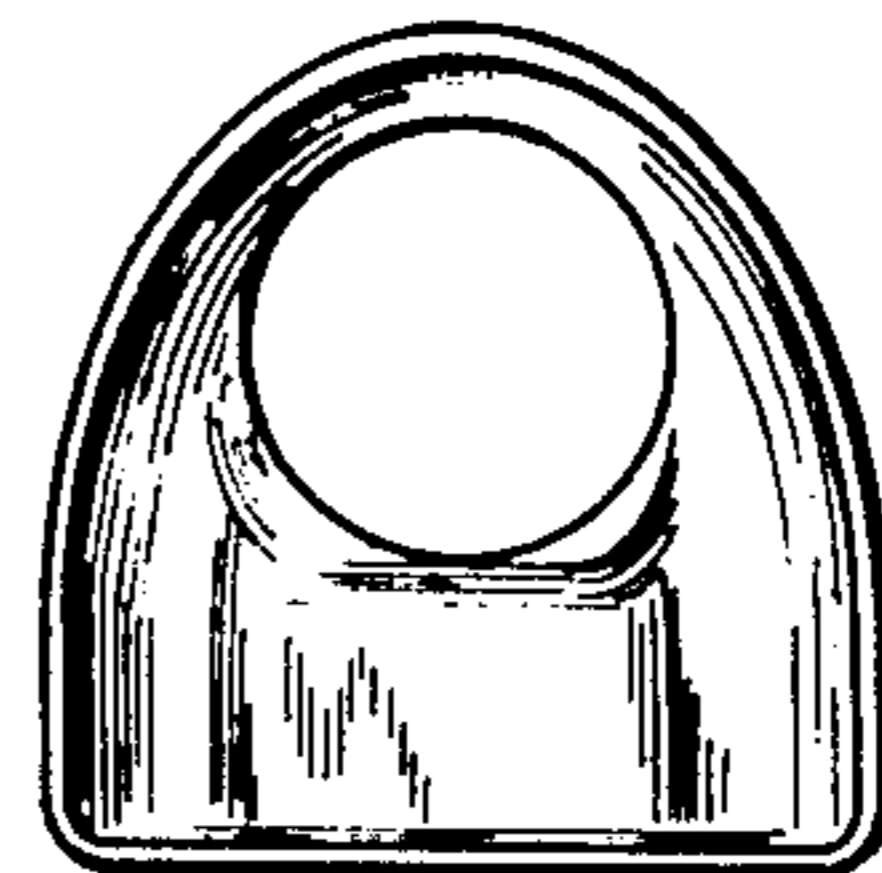


FIG. 5

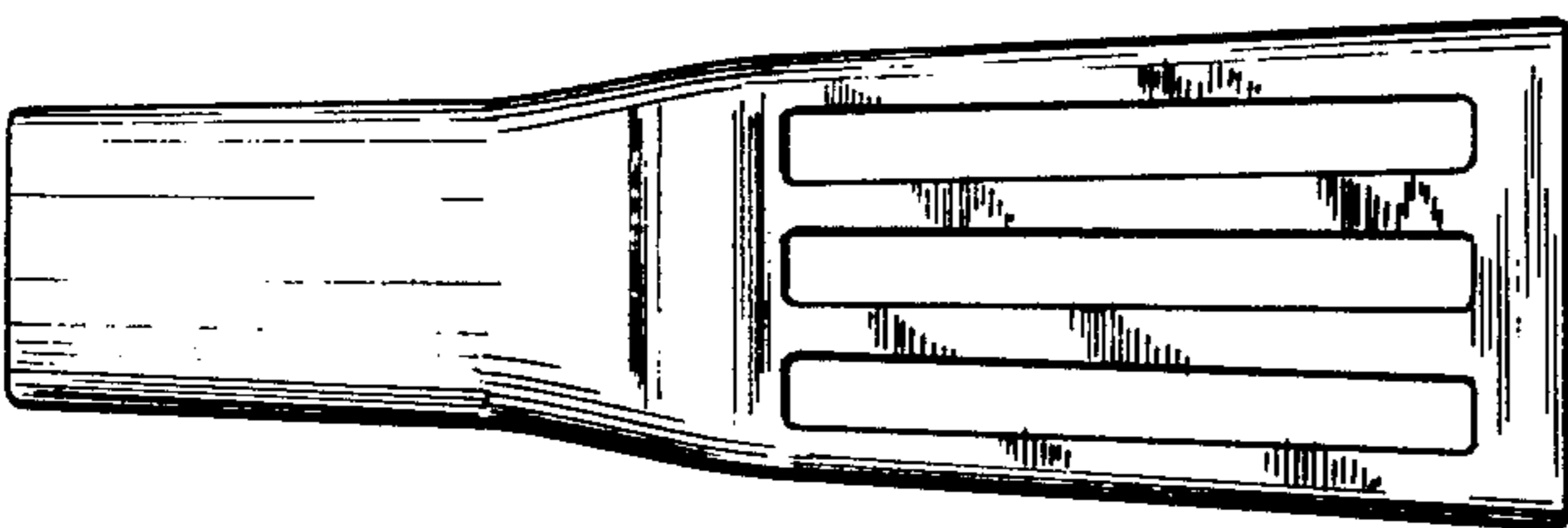


FIG. 4

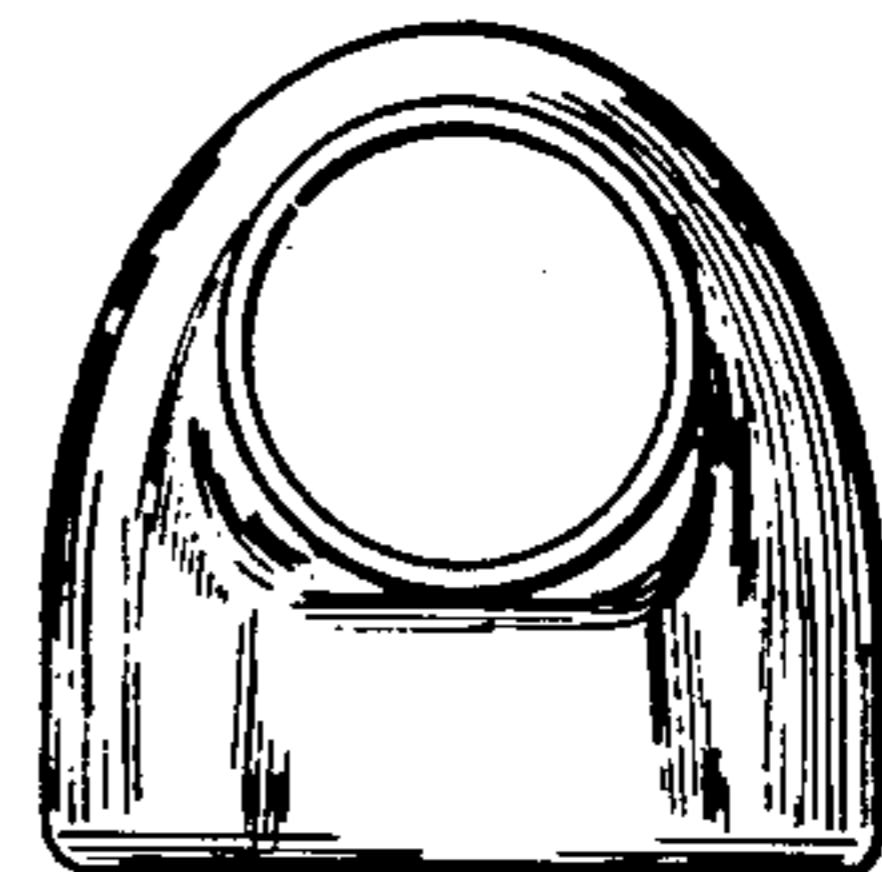


FIG. 6

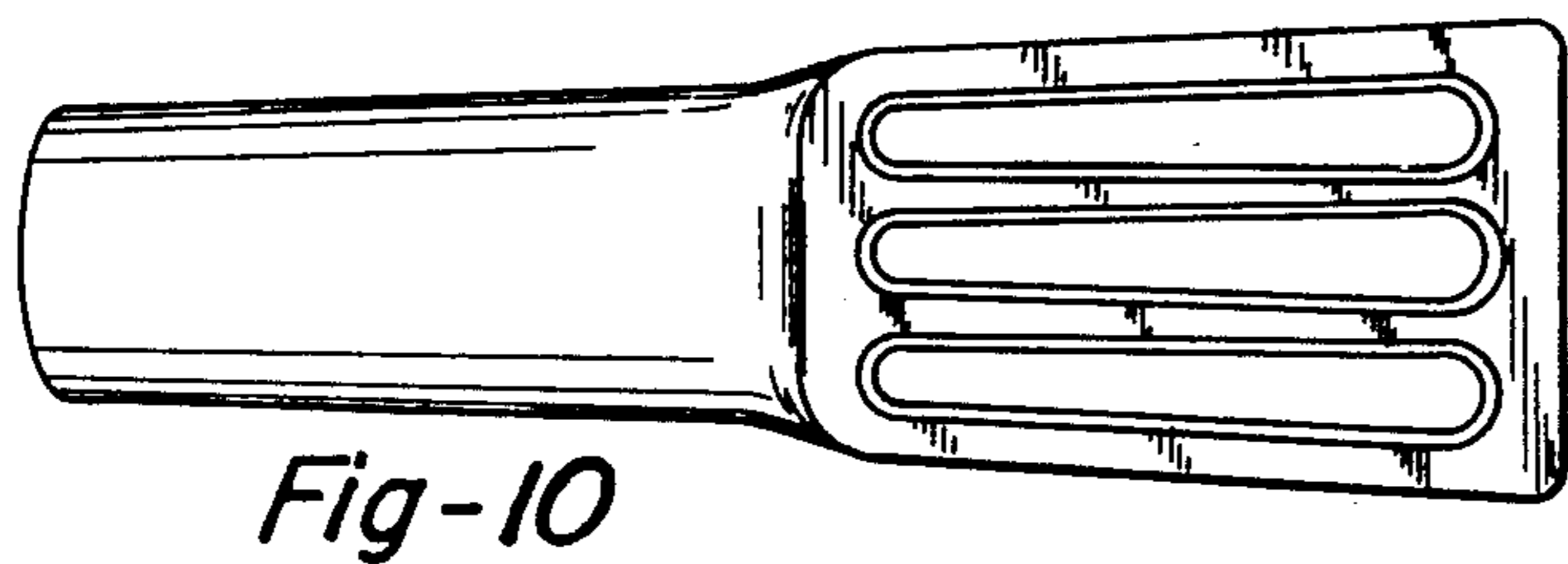
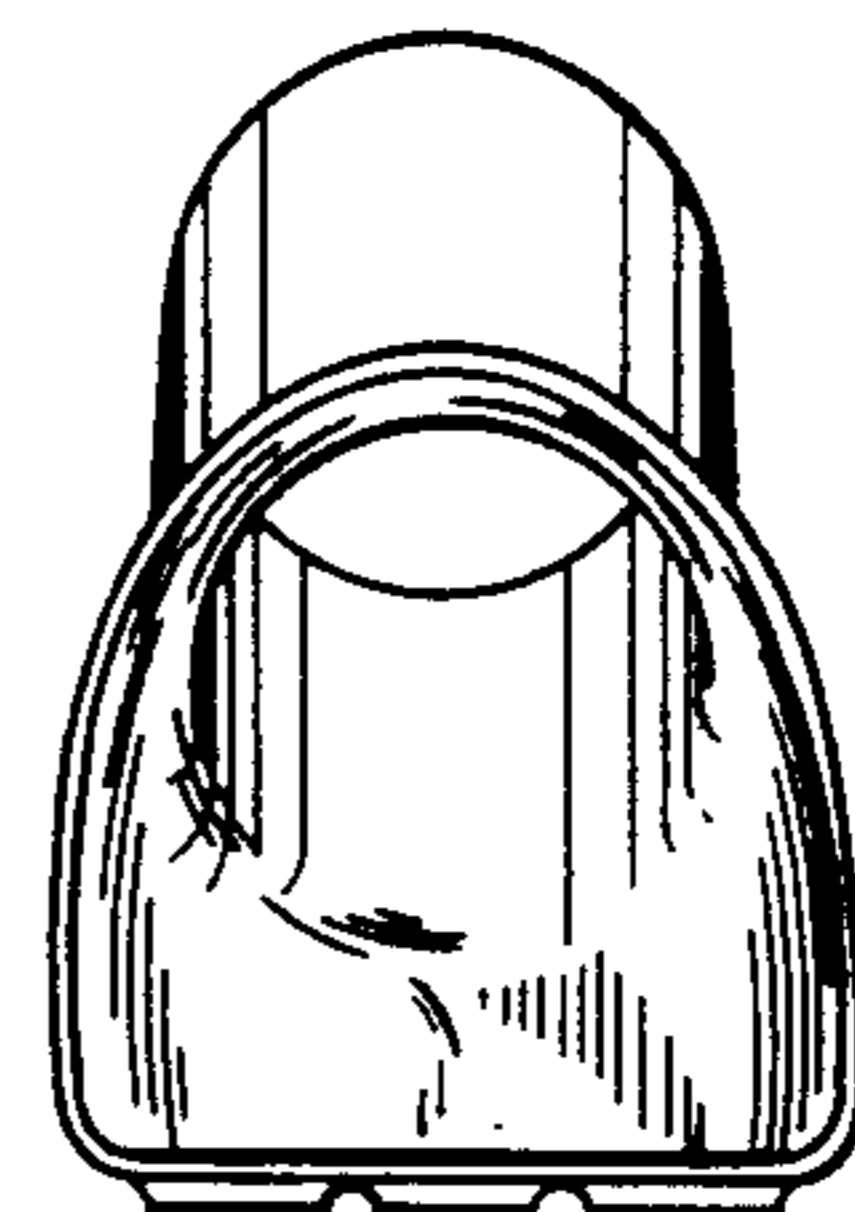
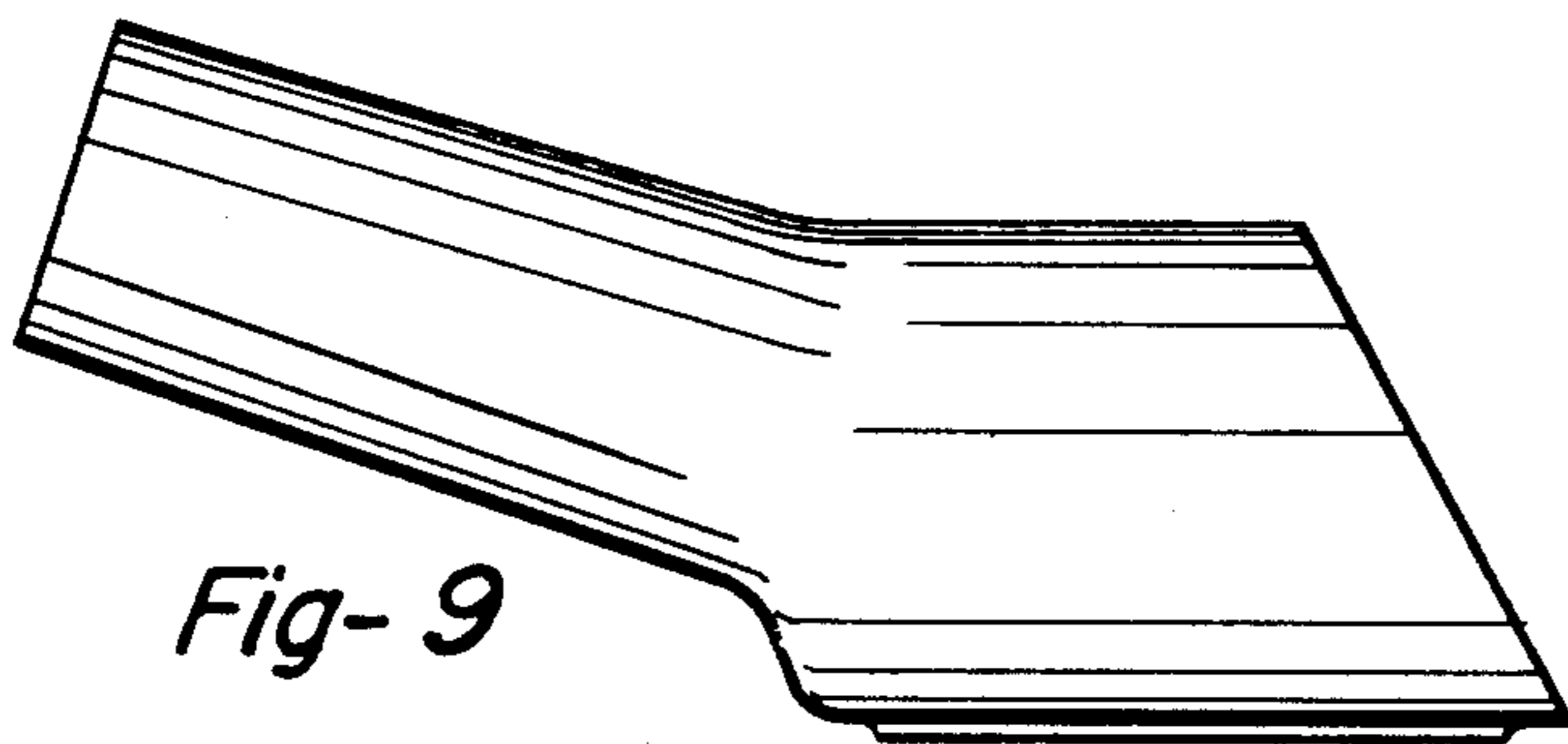
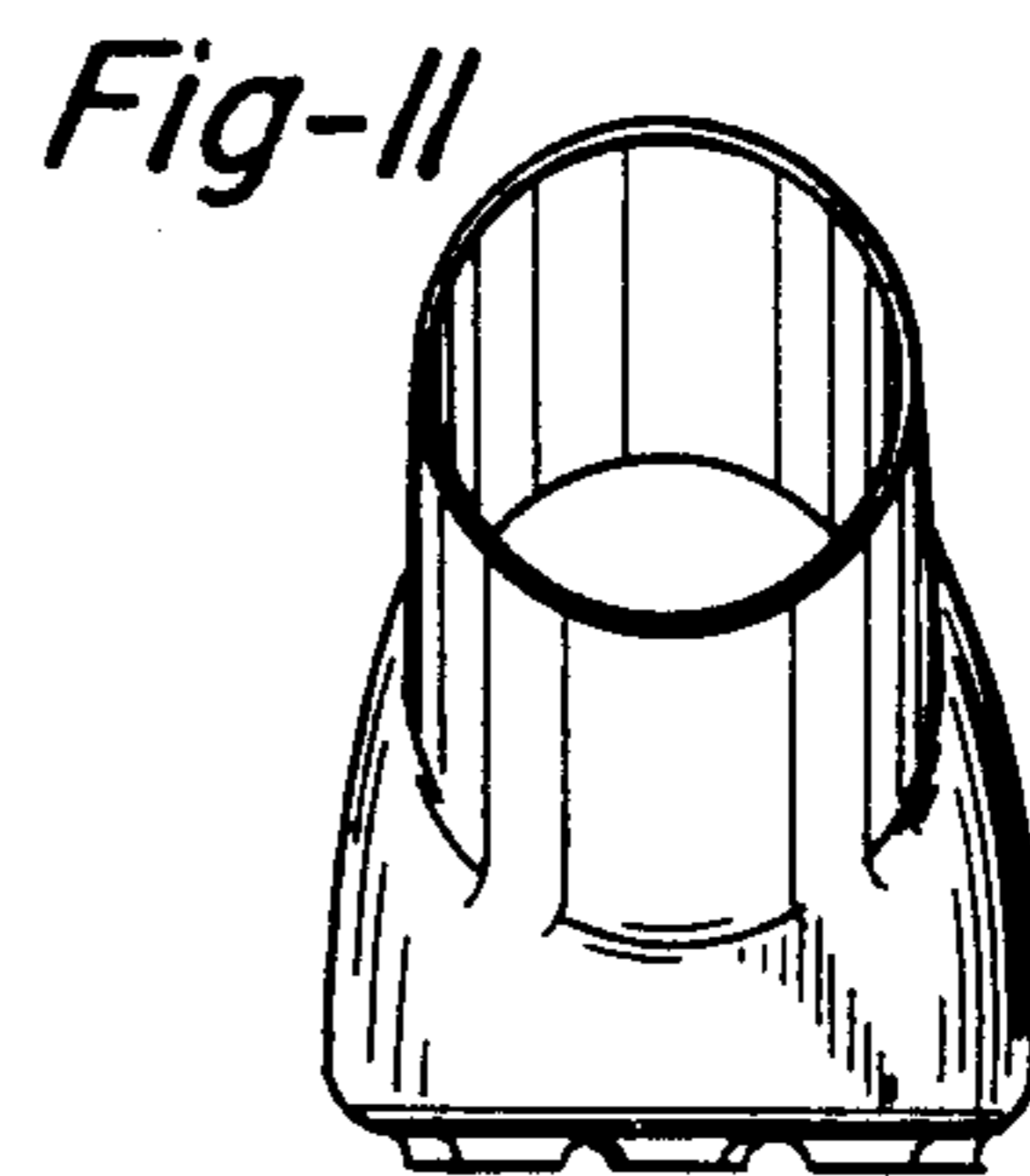
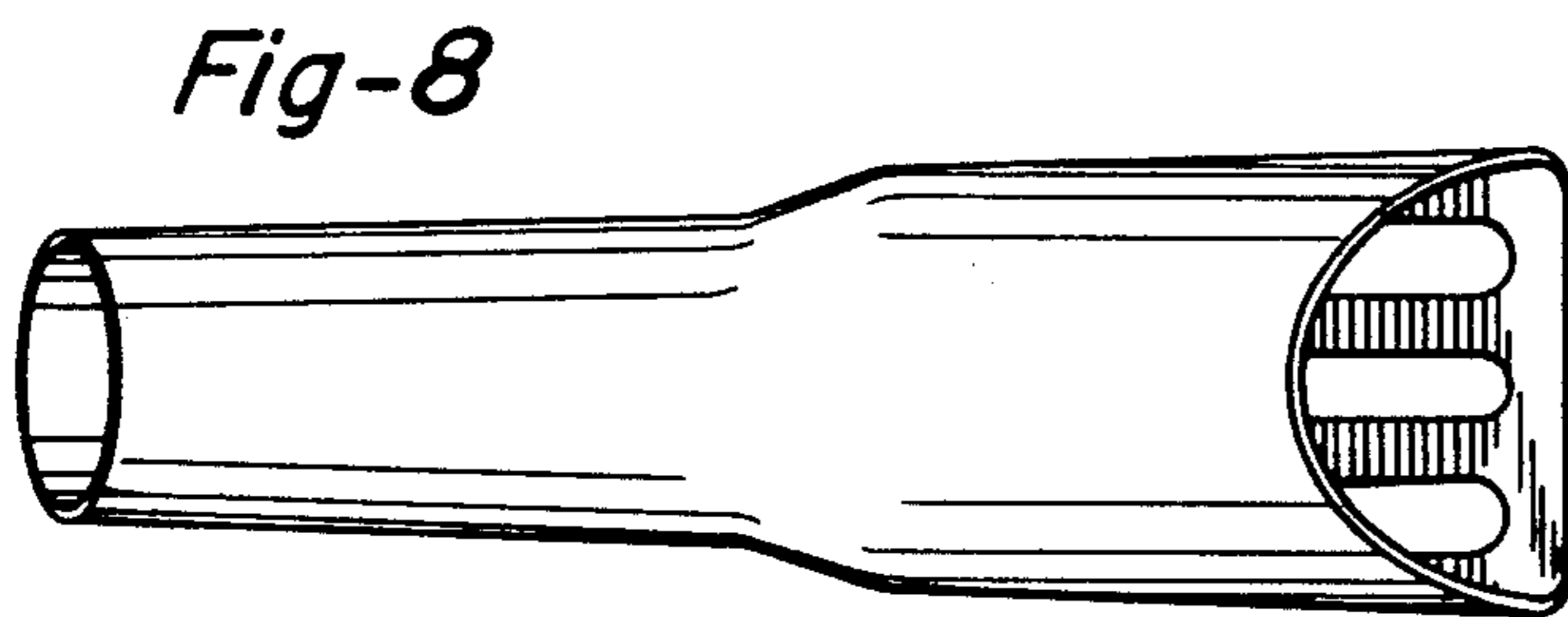
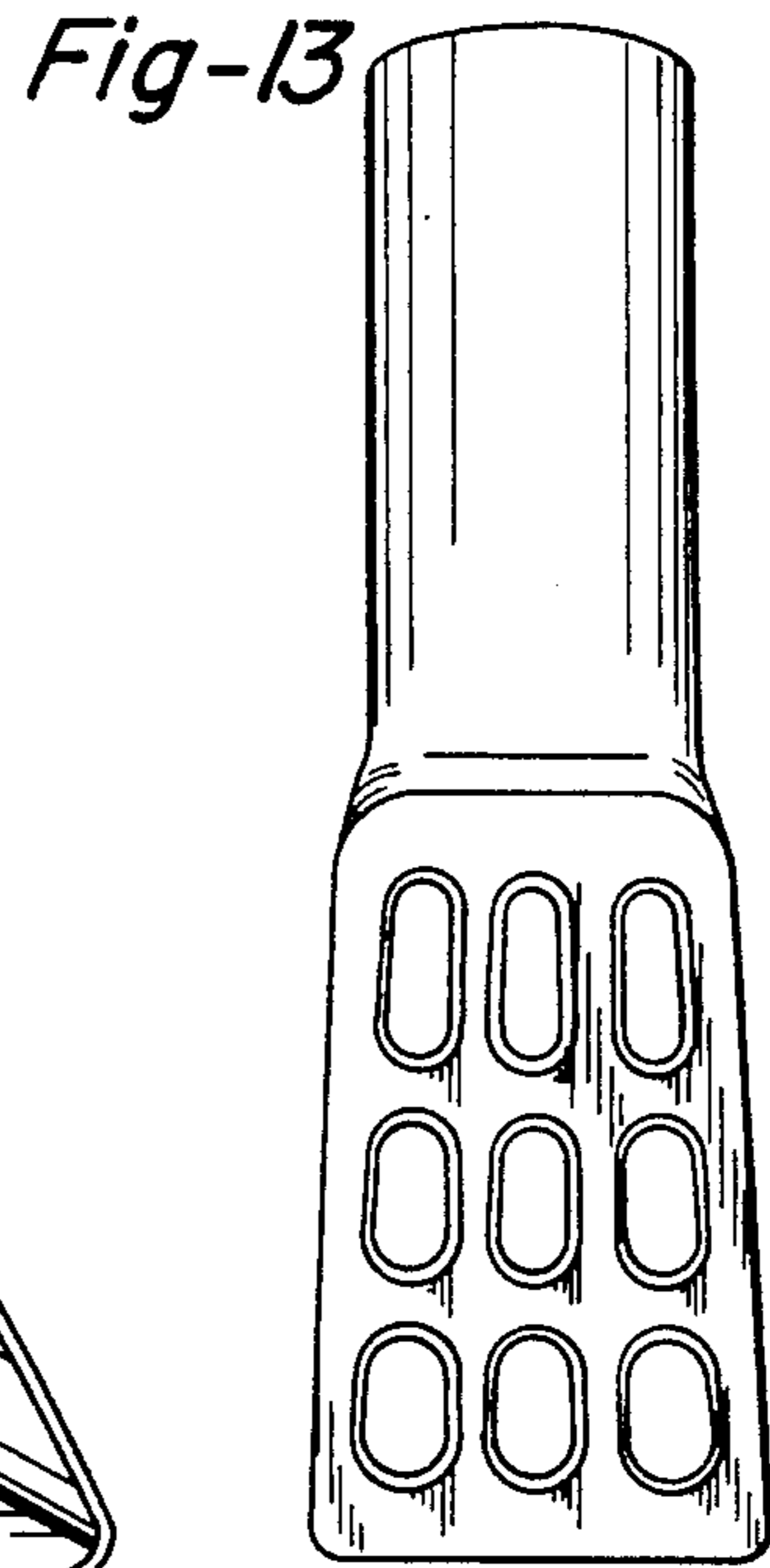
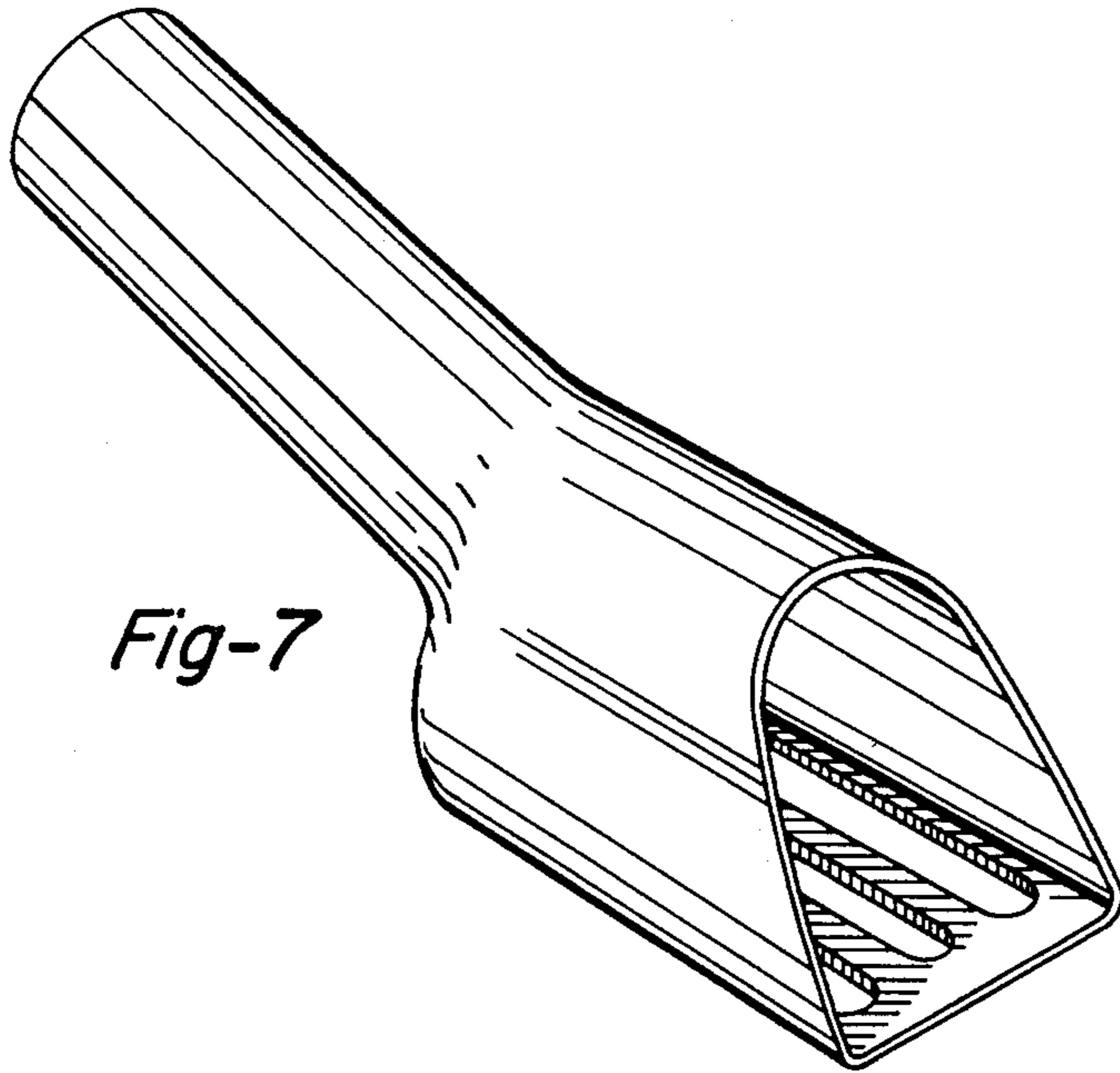


Fig-12