

[54] AQUARIUM OR SIMILAR ARTICLE

[76] Inventor: Tony Robert, 5701 Southwest Freeway, Houston, Tex. 77057

[**] Term: 14 Years

[21] Appl. No.: 15,727

[22] Filed: Feb. 26, 1979

[51] Int. Cl. D30-02
[52] U.S. Cl. D30/6
[58] Field of Search D30/6-12;
119/5

[56] References Cited

U.S. PATENT DOCUMENTS

D. 159,666	8/1950	Ringler	D9/176
D. 216,676	3/1970	Currie	D9/176
D. 238,884	2/1976	Robert	D30/6
2,968,280	1/1961	Gutstein	D30/12 X

Primary Examiner—James R. Largen

[57] CLAIM

The ornamental design for an aquarium or similar article, as shown and described.

DESCRIPTION

FIG. 1 is a perspective view of an aquarium or similar article showing my new design; FIG. 2 is a side elevational view; FIG. 3 is an end elevational view; and FIG. 4 is a top plan view.

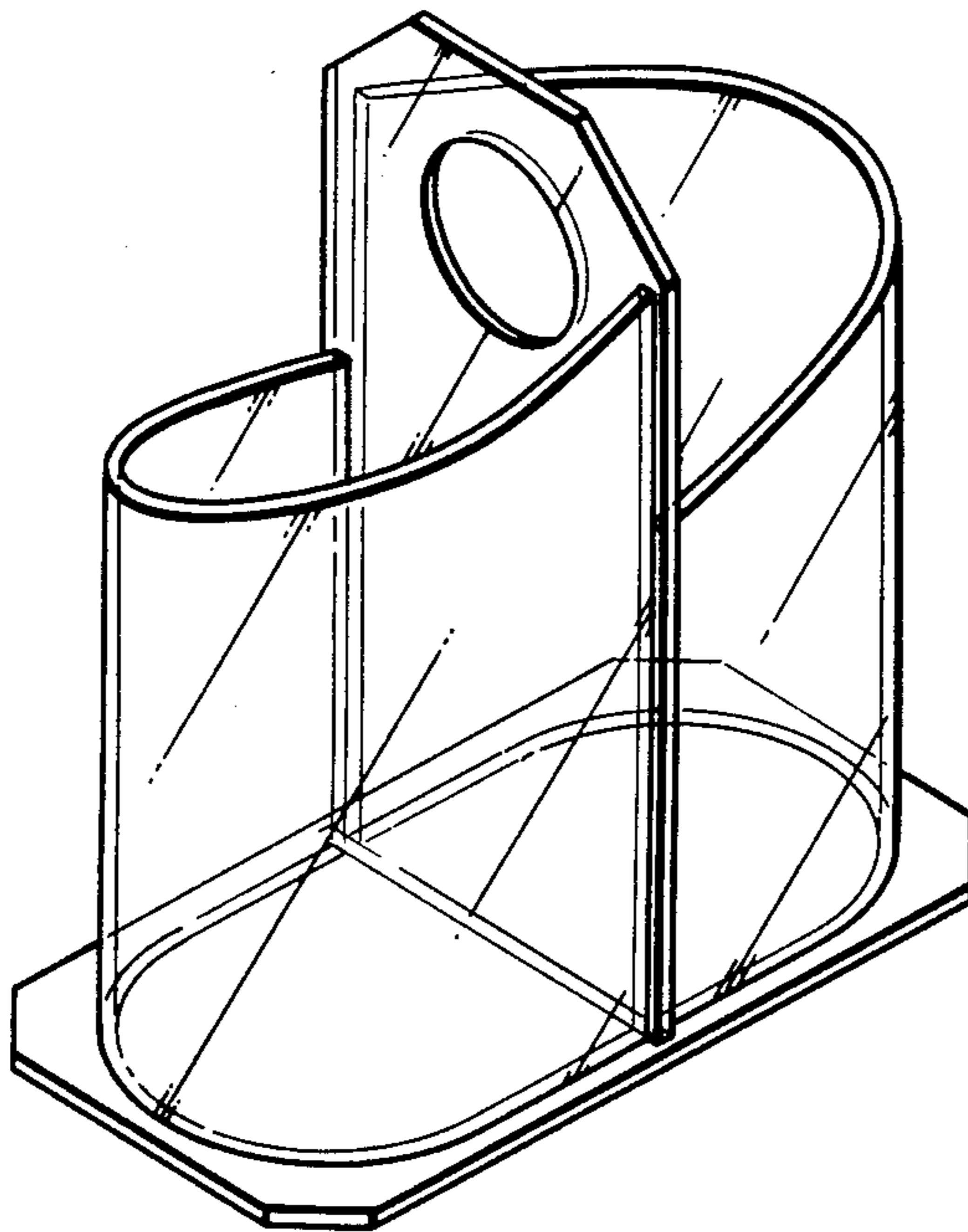


Fig. 1

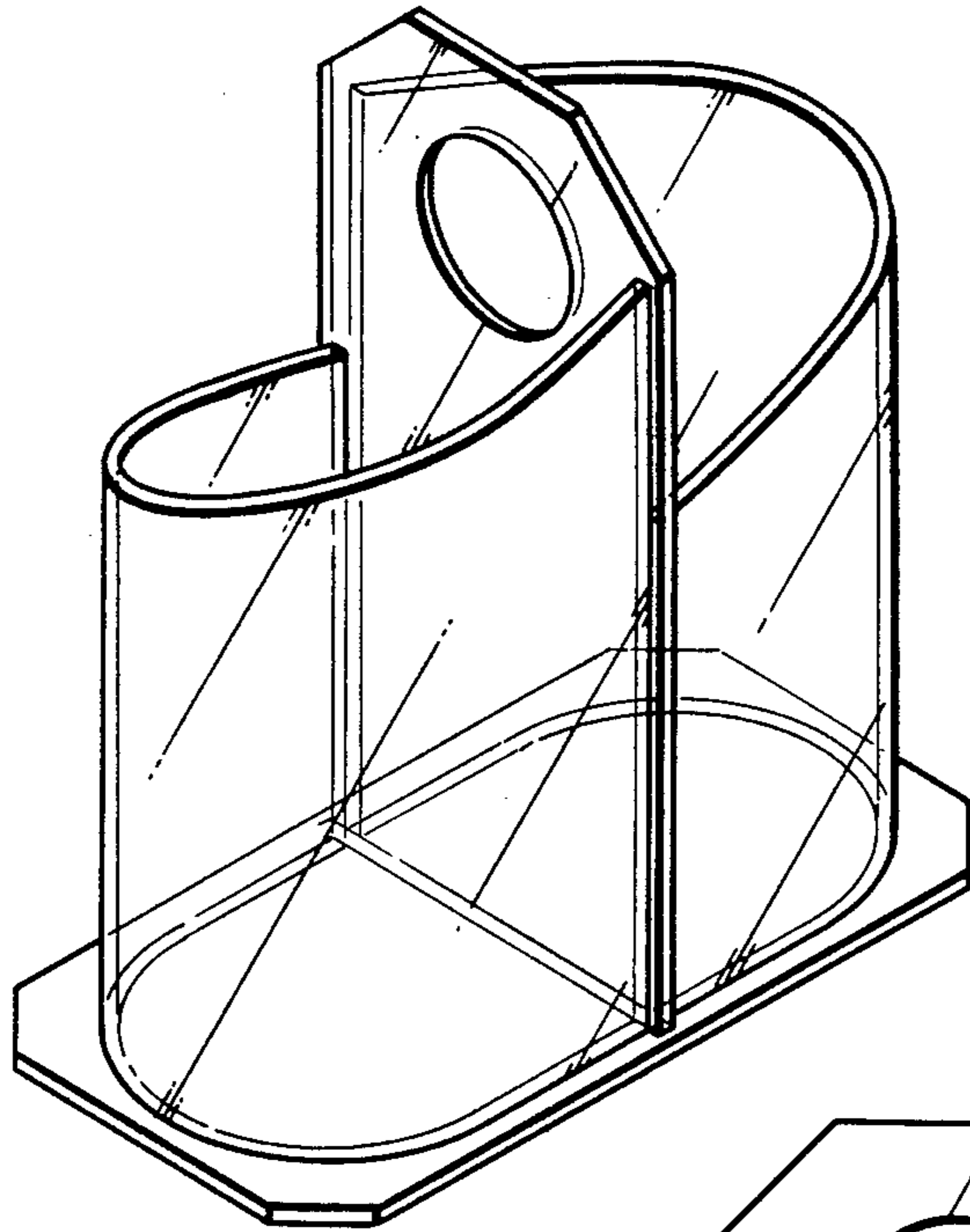


Fig. 2

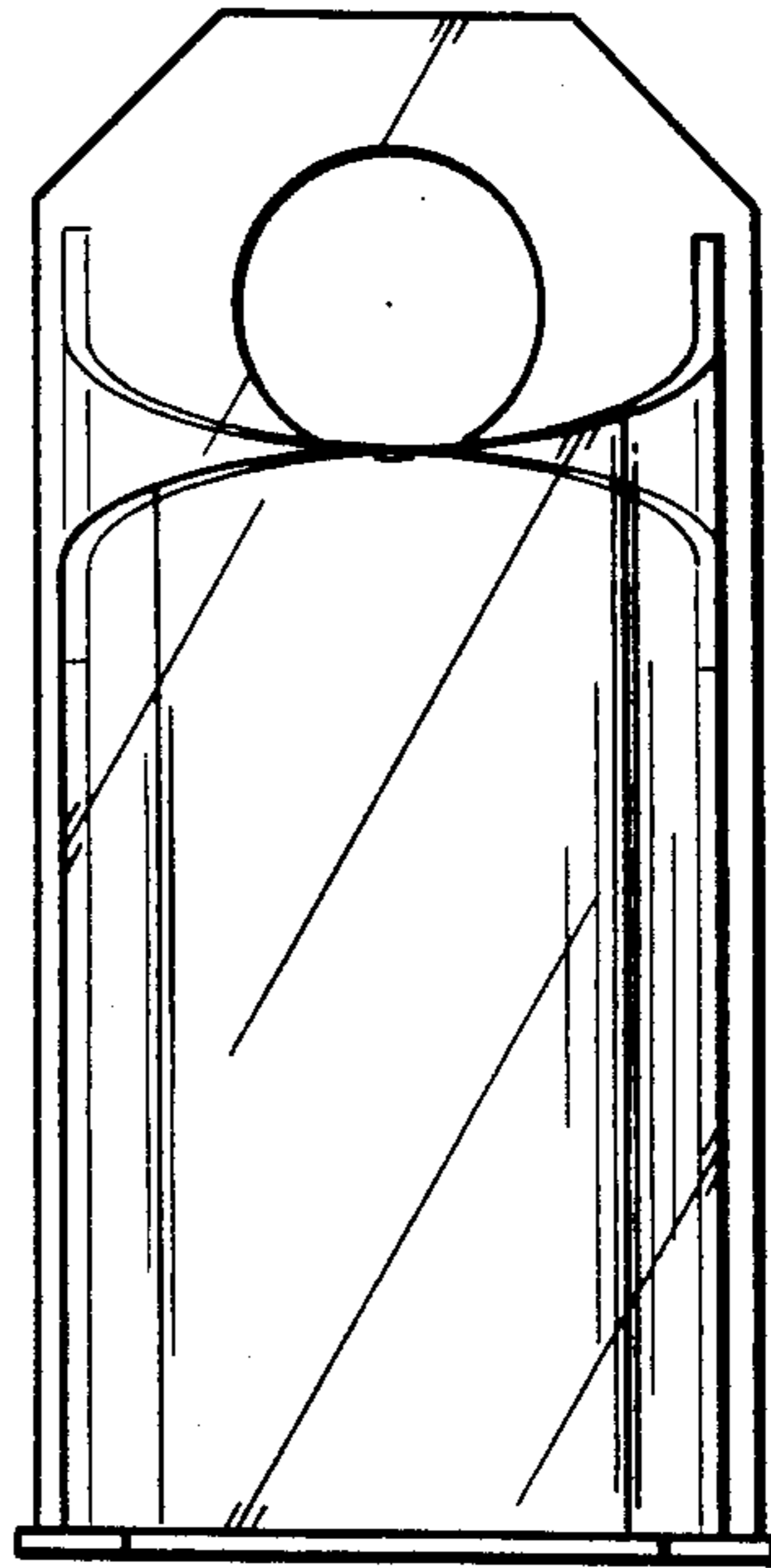
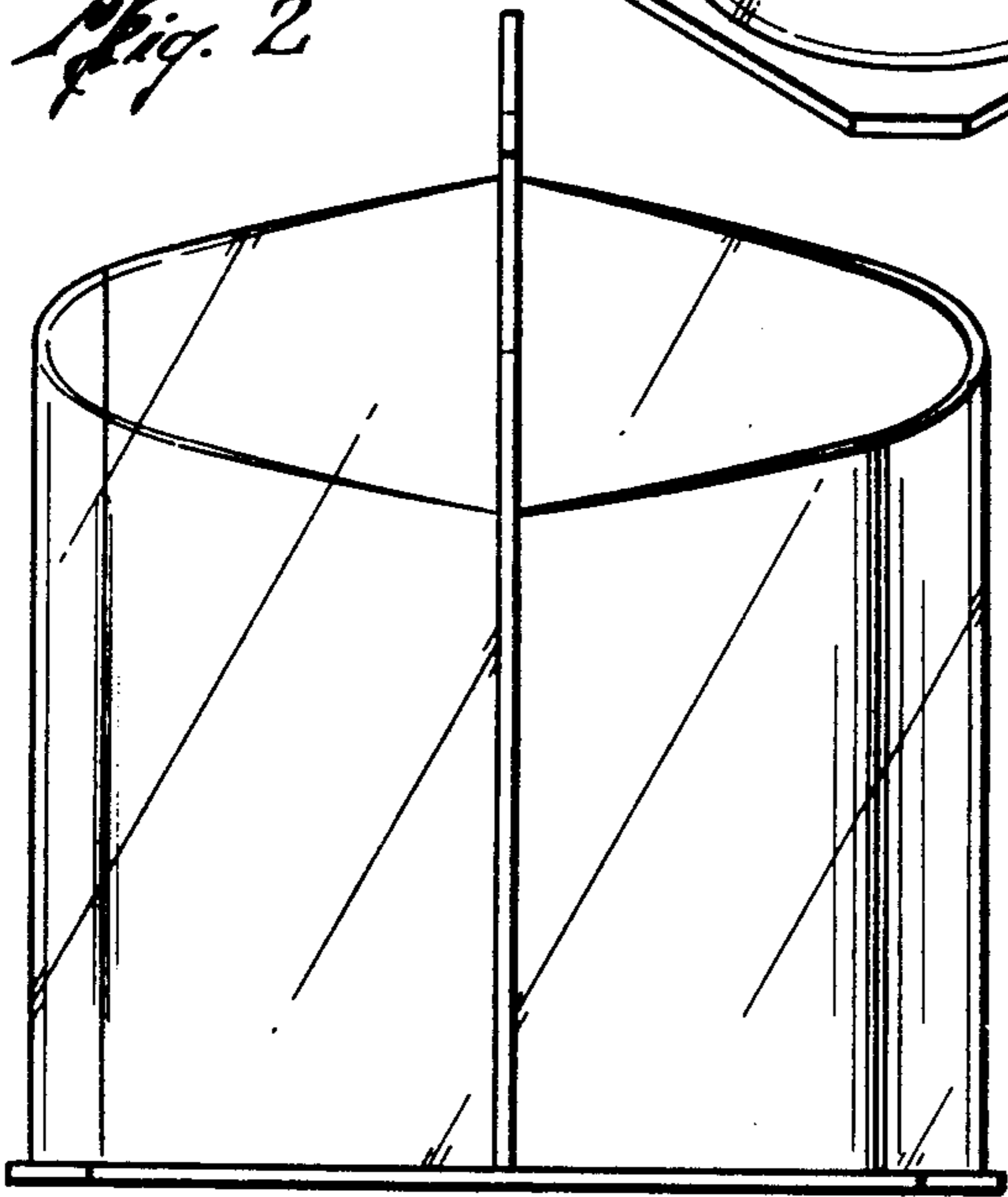


Fig. 3

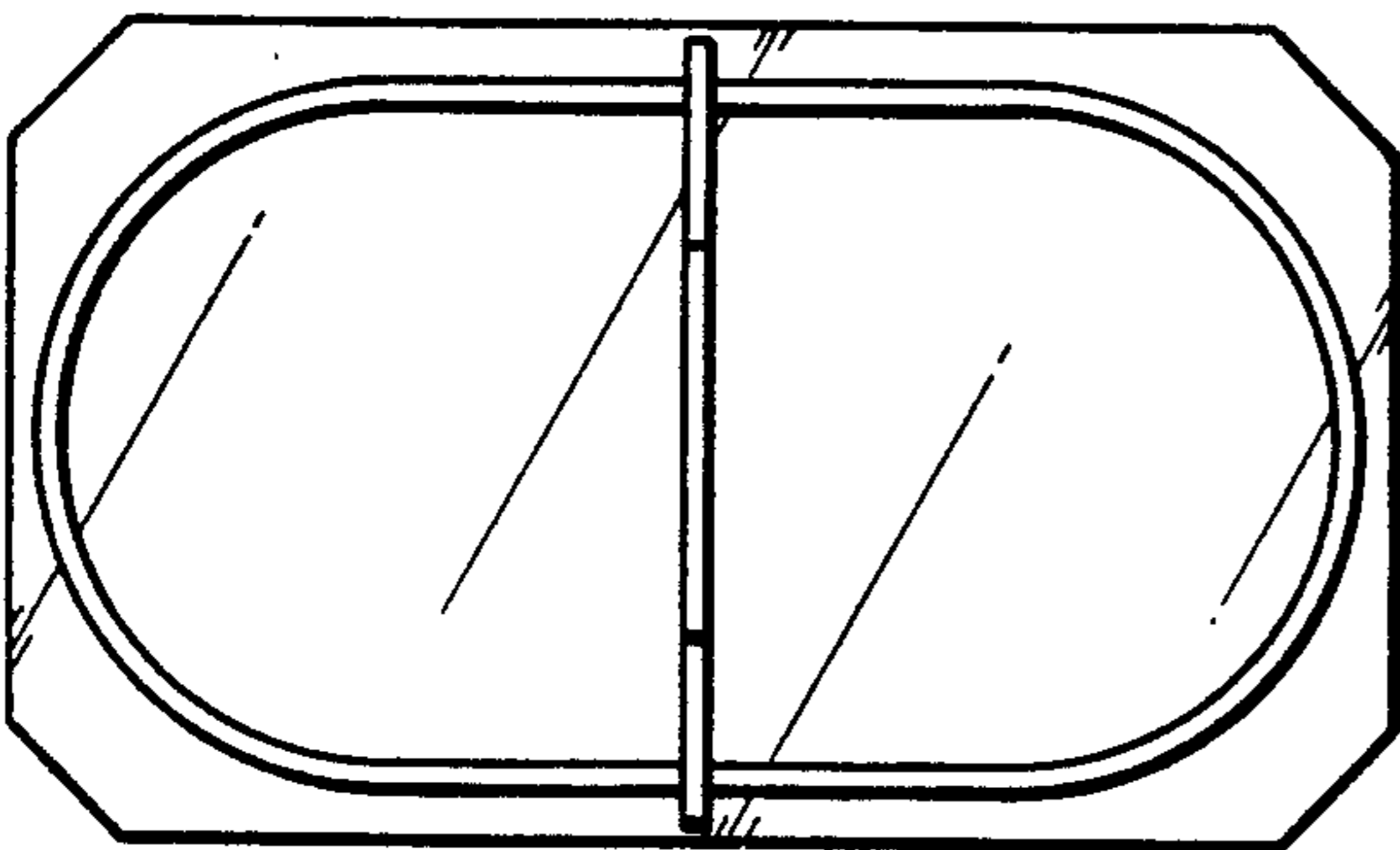


Fig. 4