

[54] INTERLOCKING FLUME PLATFORM
PANEL FOR ANIMAL CONFINEMENT
PENS

3,982,499 9/1976 Frankl 119/28 X
4,048,960 9/1977 Barnidgo 119/28

[75] Inventors: Richard E. Bunger; Roy J. Hancock,
both of Phoenix, Ariz.

[73] Assignee: Corral Industries, Inc., Phoenix,
Ariz.

[**] Term: 14 Years

[21] Appl. No.: 914,584

[22] Filed: Jun. 12, 1978

[51] Int. Cl. D30-02

[52] U.S. Cl. D30/2

[58] Field of Search D30/31-99,
D30/1, 2; 119/28; D25/80, 92, 97

[56] References Cited

U.S. PATENT DOCUMENTS

D. 26,443	12/1896	Fiske	D30/2
D. 238,898	2/1976	Landis	D25/92 X
469,044	2/1892	Jungbluth	119/28
3,224,414	12/1965	Conover	119/28
3,228,376	1/1966	Conover	119/28
3,699,926	10/1972	Stockl	119/28
3,771,495	11/1973	Stevenson et al.	119/28 X
3,859,962	1/1975	Kissinger, Jr.	119/28

FOREIGN PATENT DOCUMENTS

102599 2/1926 Fed. Rep. of Germany 119/28
6709312 1/1969 Netherlands 119/28

Primary Examiner—James R. Largen
Attorney, Agent, or Firm—Warren F. B. Lindsley

[57] CLAIM

The ornamental design for an interlocking flume plat-
form panel for animal confinement pens, as shown and
described.

DESCRIPTION

FIG. 1 is a top perspective view of an interlocking
flume platform panel for animal confinement pens
showing our new design;

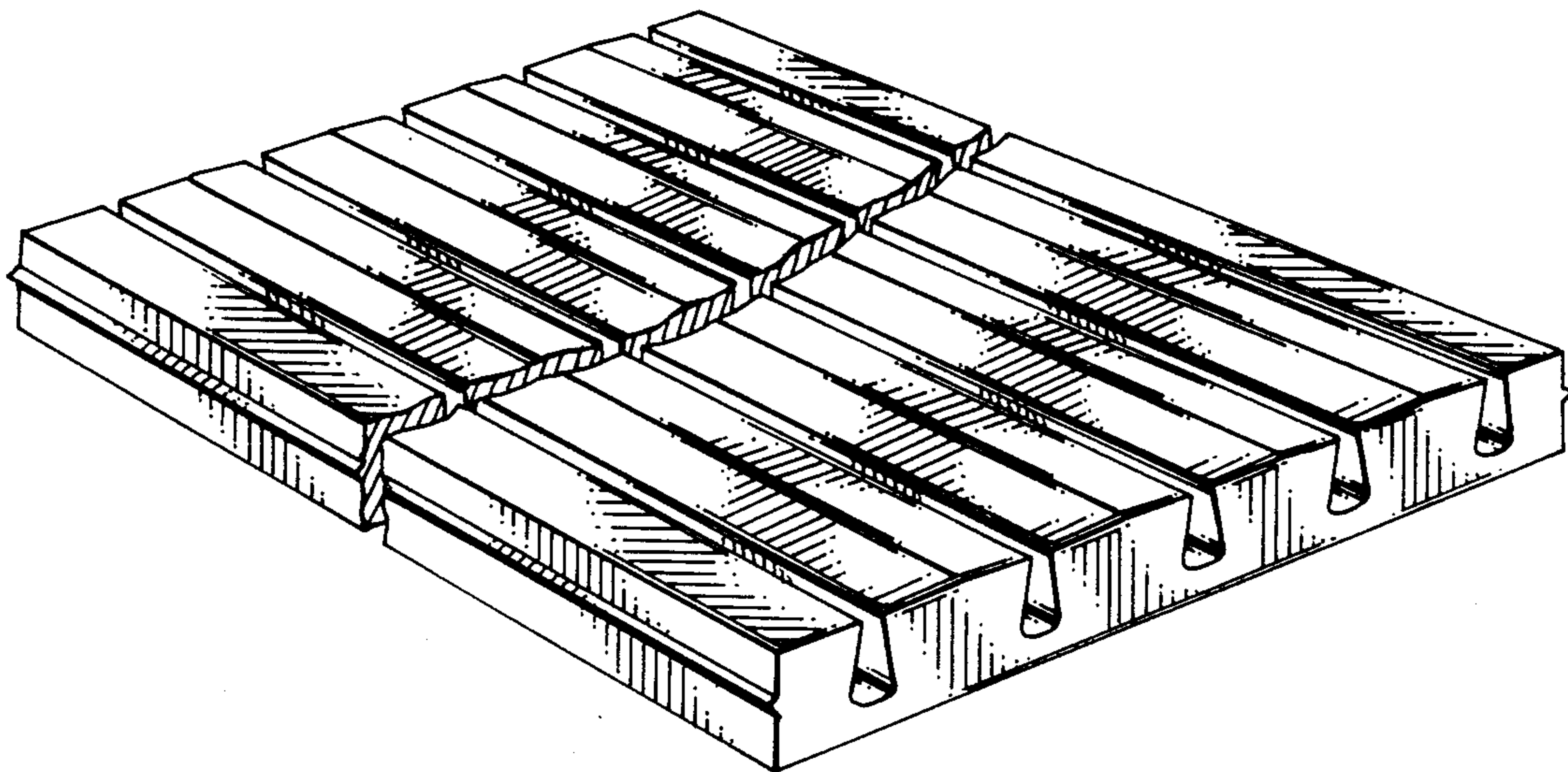
FIG. 2 is an elevational view taken from one side
thereof;

FIG. 3 is an elevational view taken from the side oppo-
site that shown in FIG. 2;

FIG. 4 is an enlarged fragmentary end elevational view
thereof; and

FIG. 5 is a bottom perspective view thereof.

The interlocking flume platform panel has been broken
away in FIGS. 1, 2, 3 and 5 to indicate indeterminate
length.



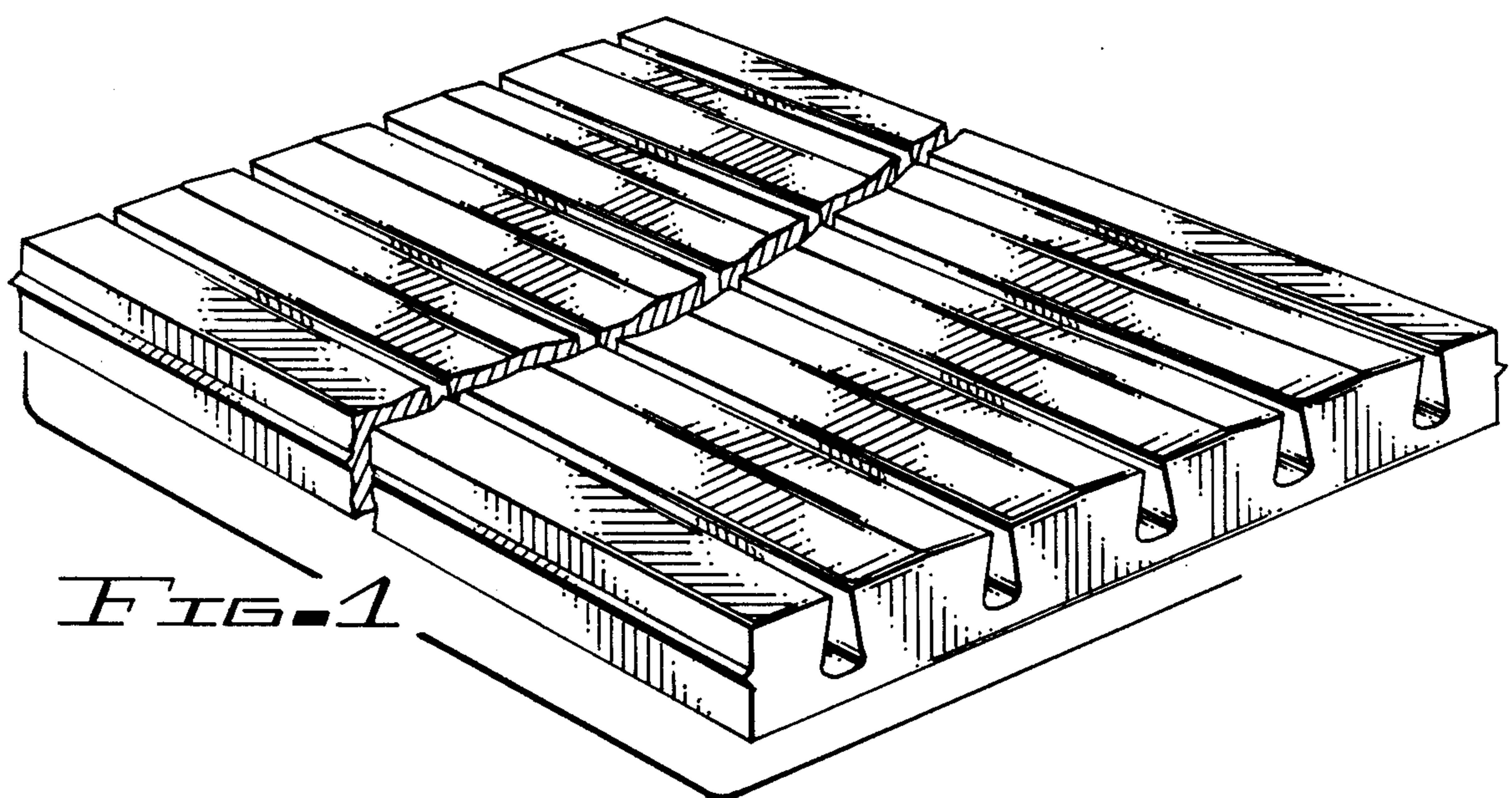


FIG. 1



FIG. 2



FIG. 3

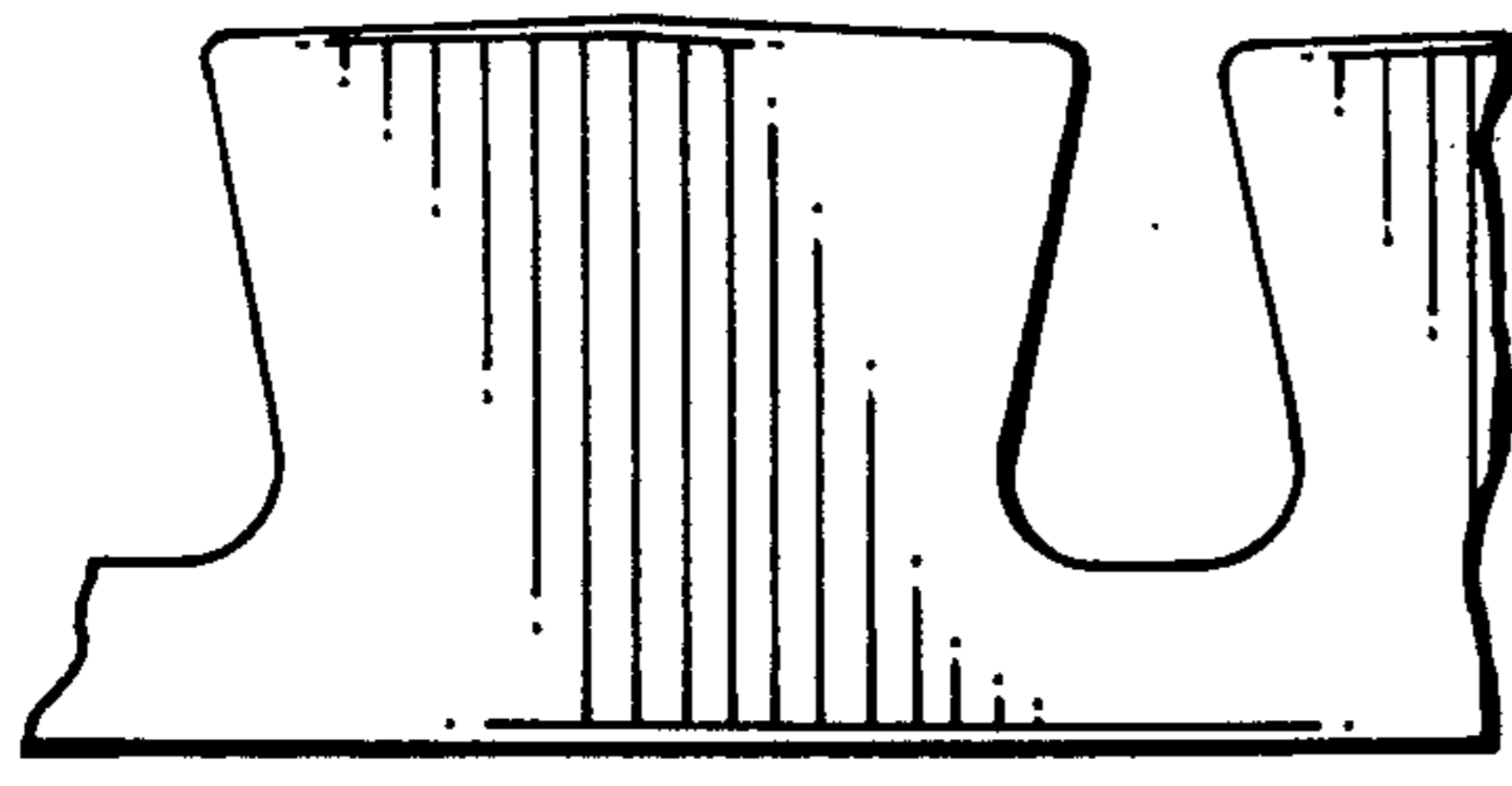


FIG. 4

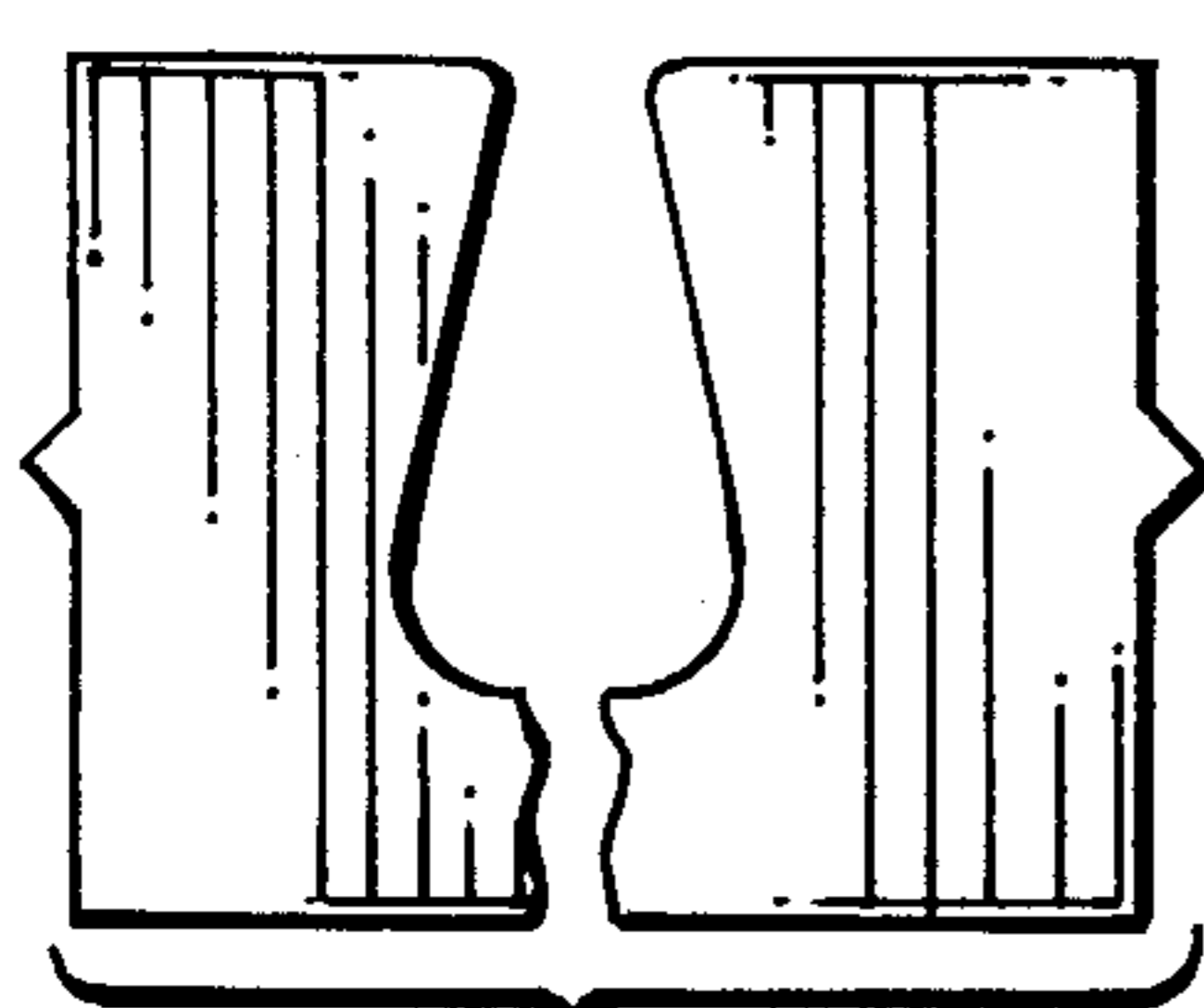


FIG. 5

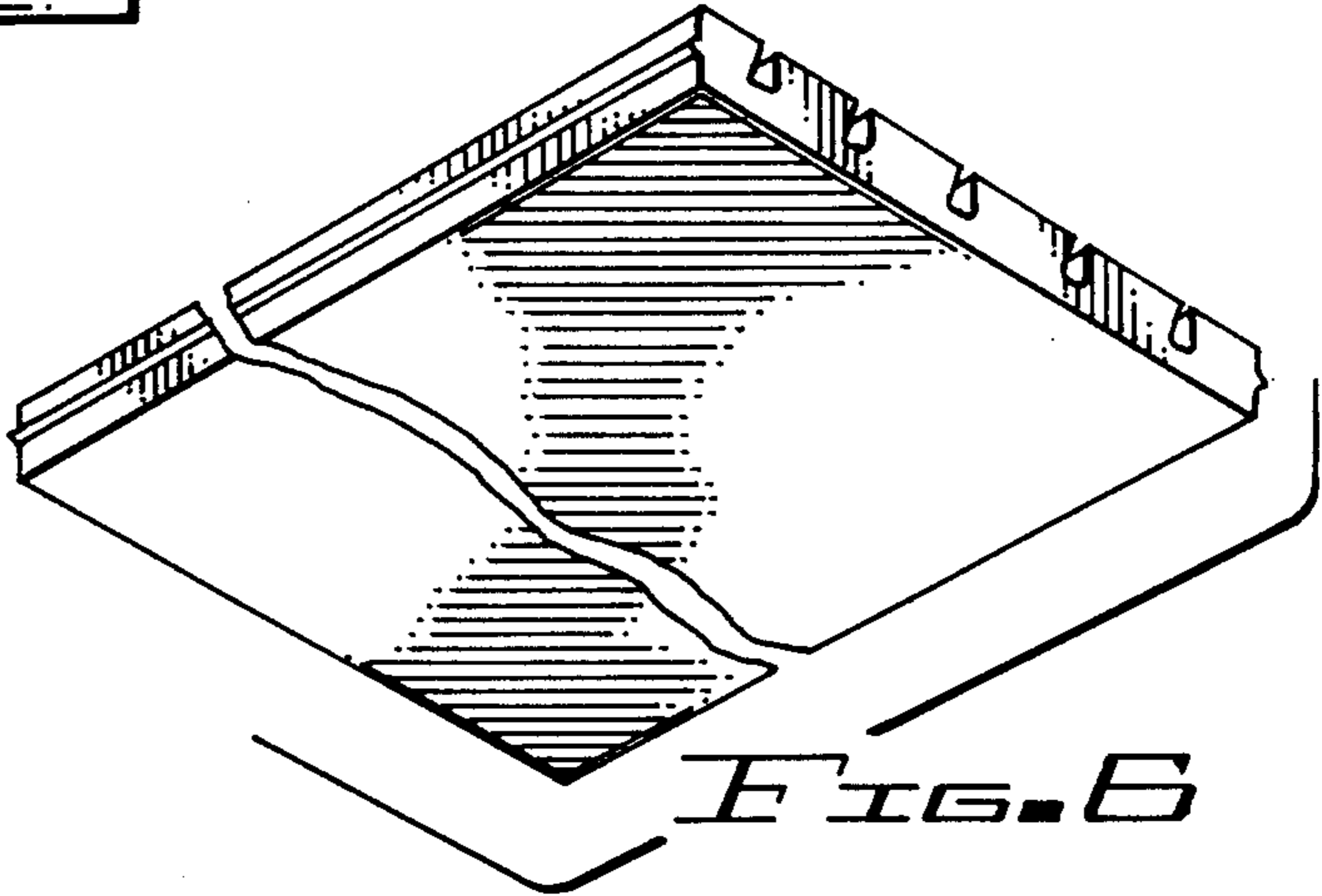


FIG. 6