

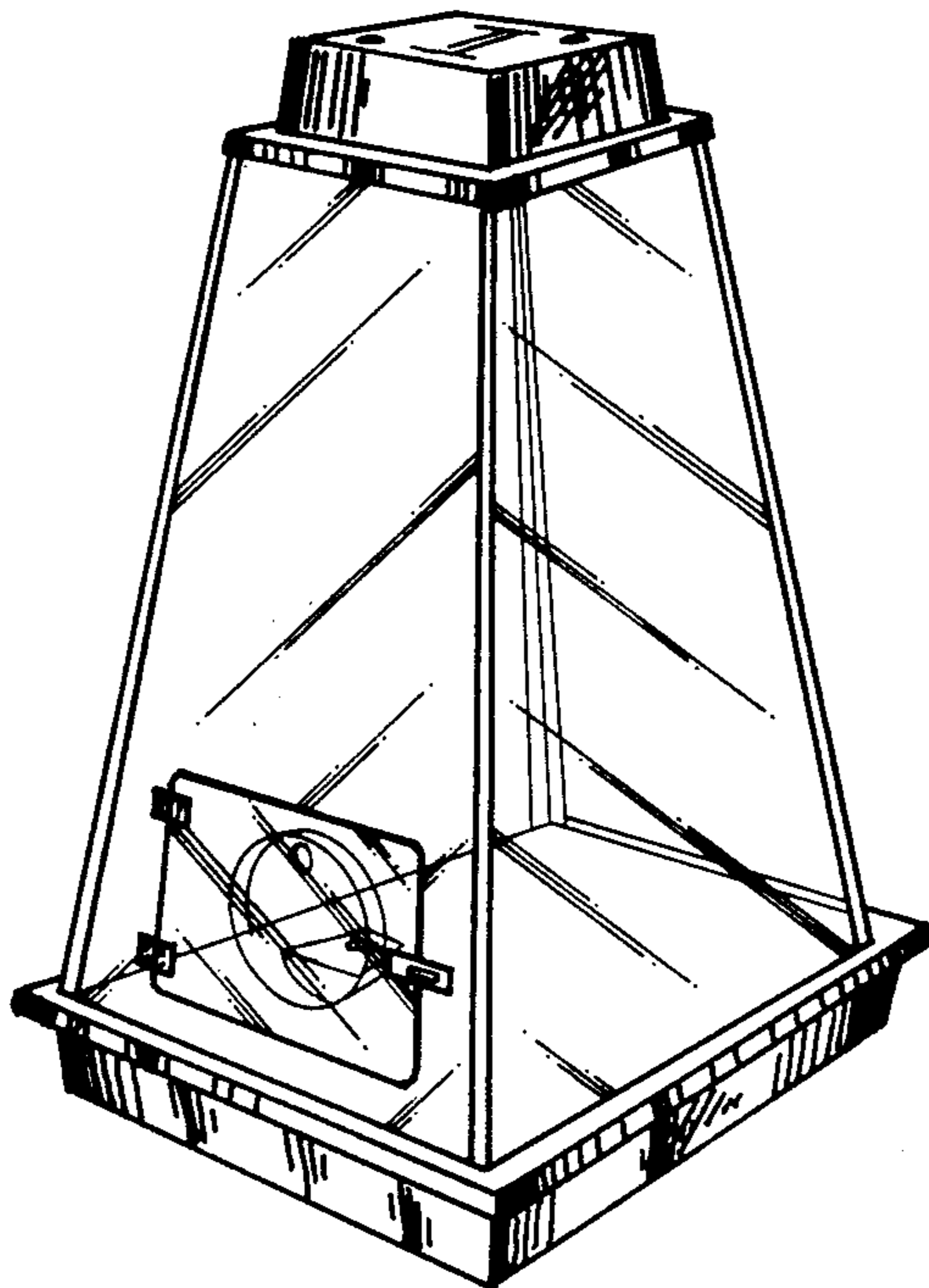
[54] WILDLIFE HABITAT OR SIMILAR ARTICLE
[76] Inventor: Donald J. Galbreath, 2320 Lee St., Evanston, Ill. 60202
[**] Term: 7 Years
[21] Appl. No.: 857,862
[22] Filed: Dec. 5, 1977
[51] Int. Cl. D30-02
[52] U.S. Cl. D30/1
[58] Field of Search D30/1-5, D30/41-99

[56] **References Cited**
U.S. PATENT DOCUMENTS
D. 206,523 12/1966 Artig D30/1
D. 233,157 10/1974 Lacock D30/4

Primary Examiner—James R. Largen
Attorney, Agent, or Firm—Francis J. Lidd

[57] **CLAIM**
The ornamental design for a wildlife habitat or similar article, substantially as shown and described.

DESCRIPTION
FIG. 1 is a perspective view of a wildlife habitat or similar article showing my new design;
FIG. 2 is a front elevational view thereof;
FIG. 3 is a side elevational view thereof, the opposite side being a mirror image of the side shown;
FIG. 4 is a perspective view of a modified form of the wildlife habitat or similar article shown in FIG. 1;
FIG. 5 is a front elevational view thereof, the rear being the same as the front shown; and
FIG. 6 is a side elevational view thereof, the opposite side being the same as the side shown.



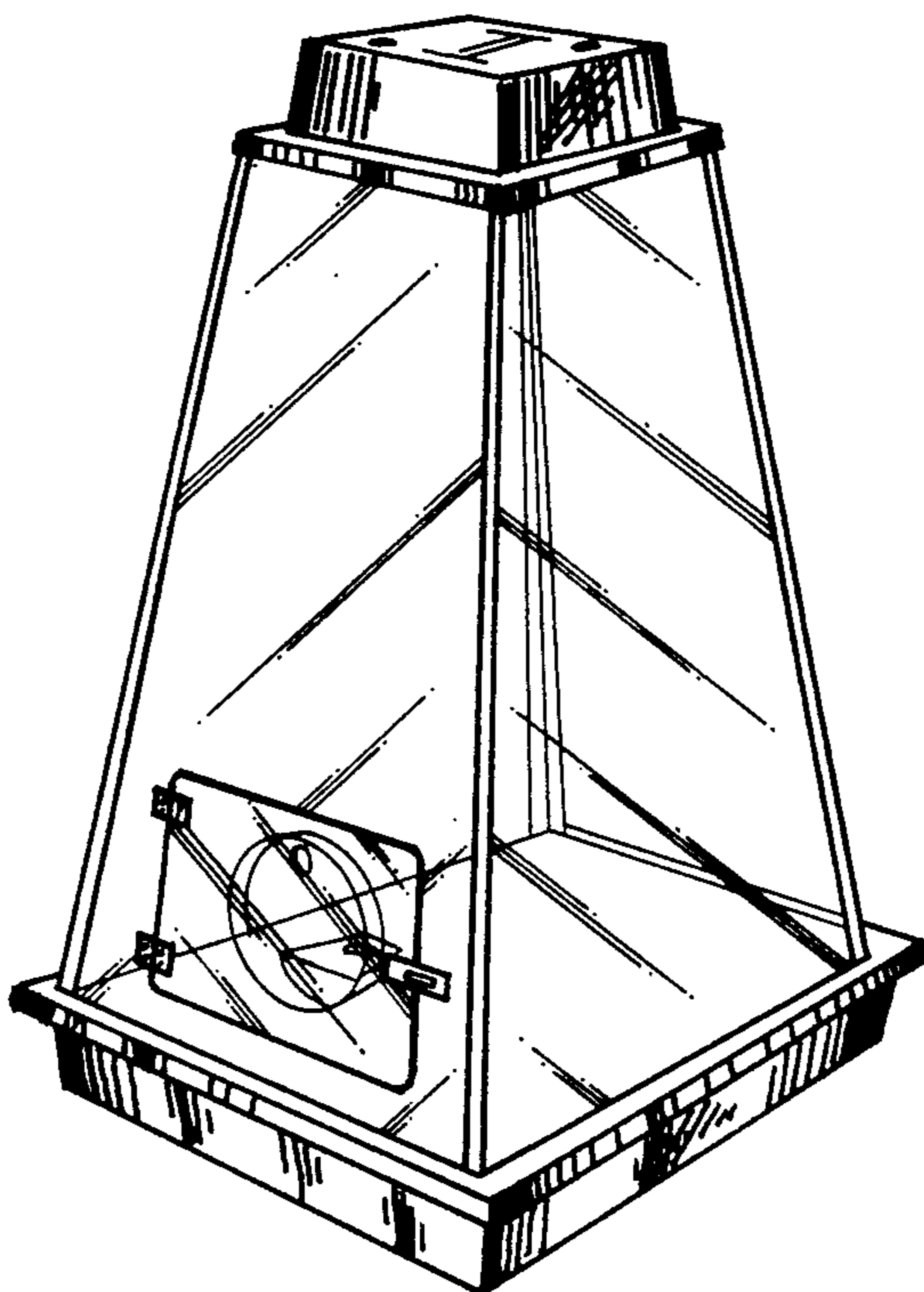


FIG. 1

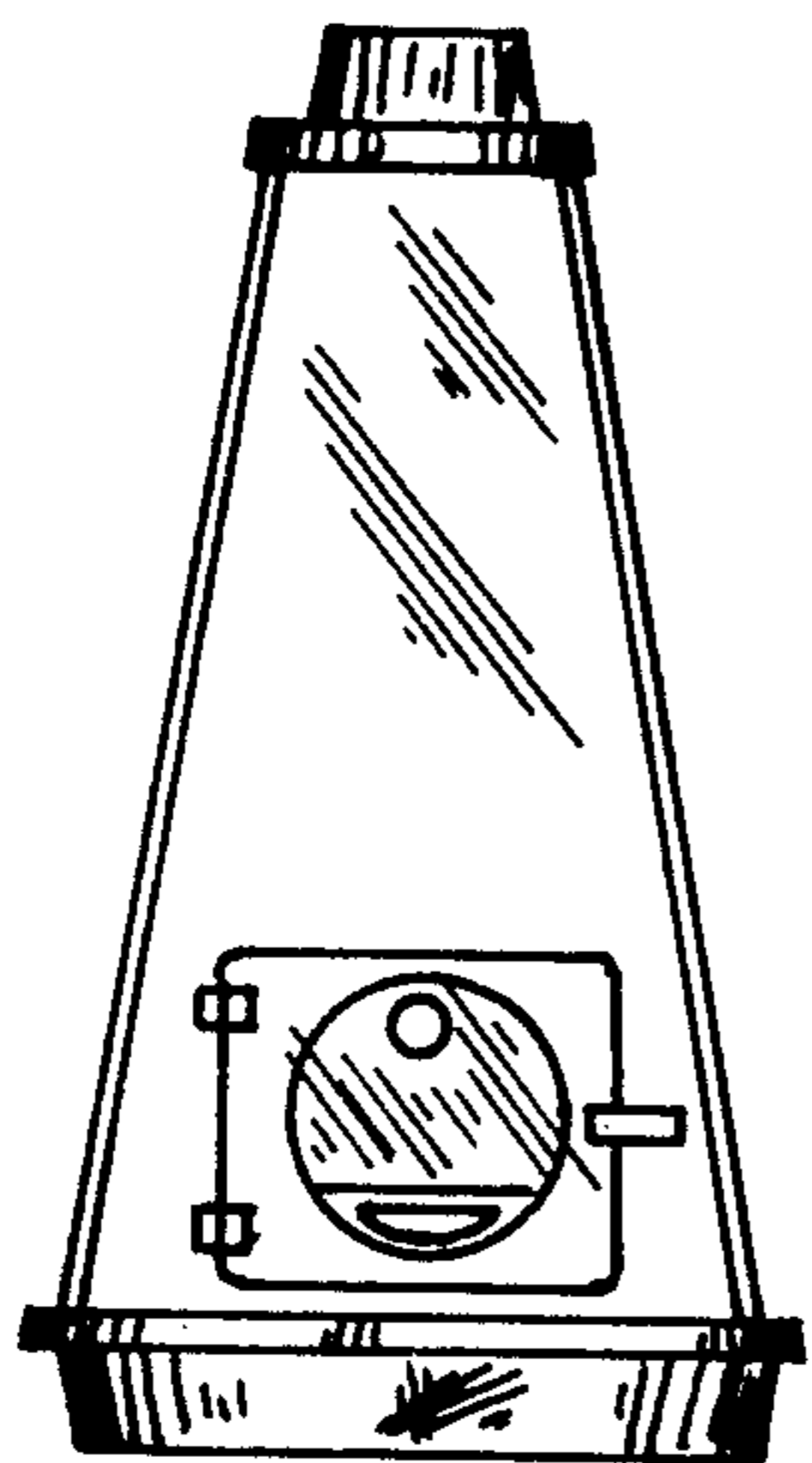


FIG. 2

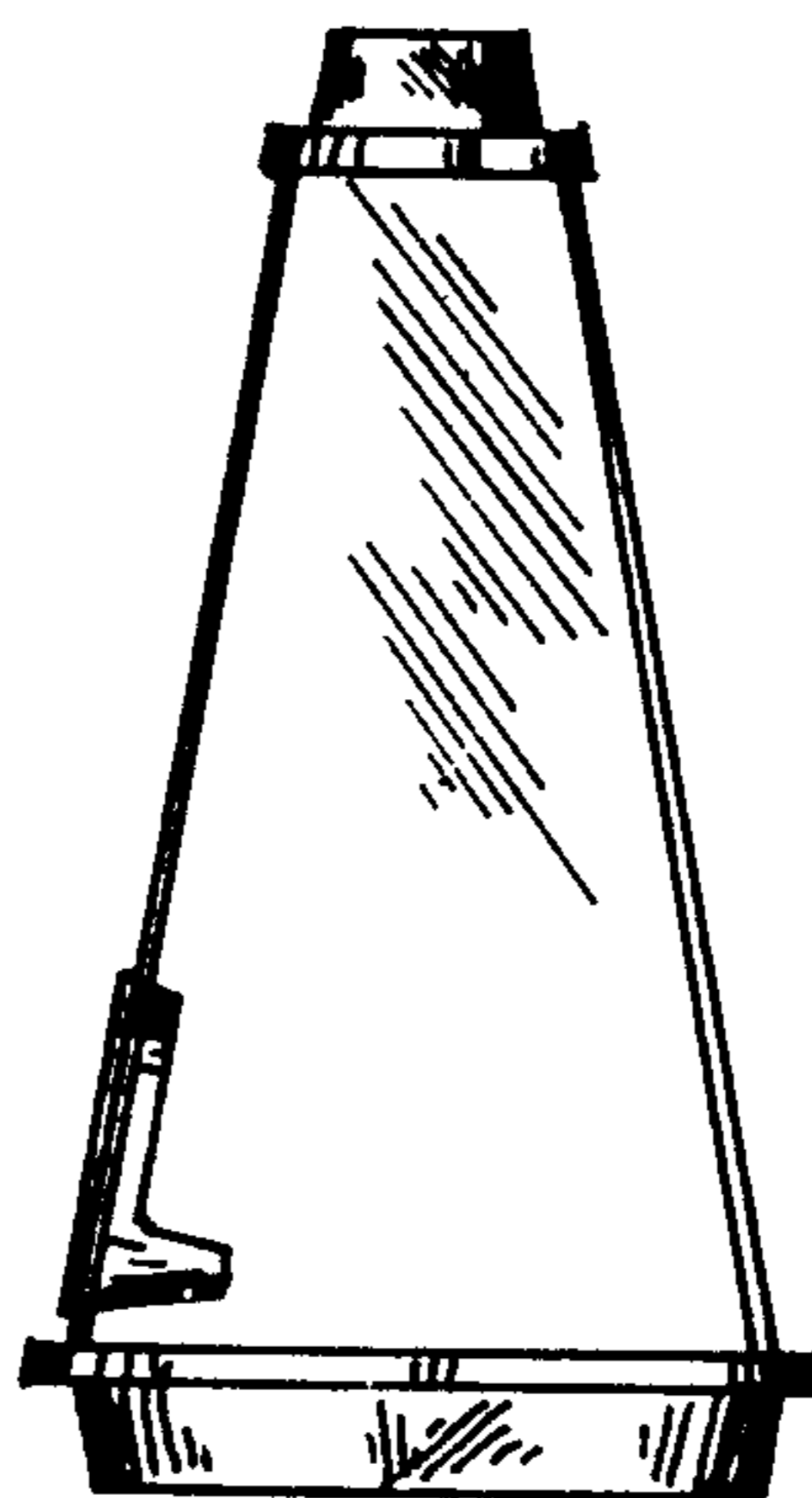


FIG. 3

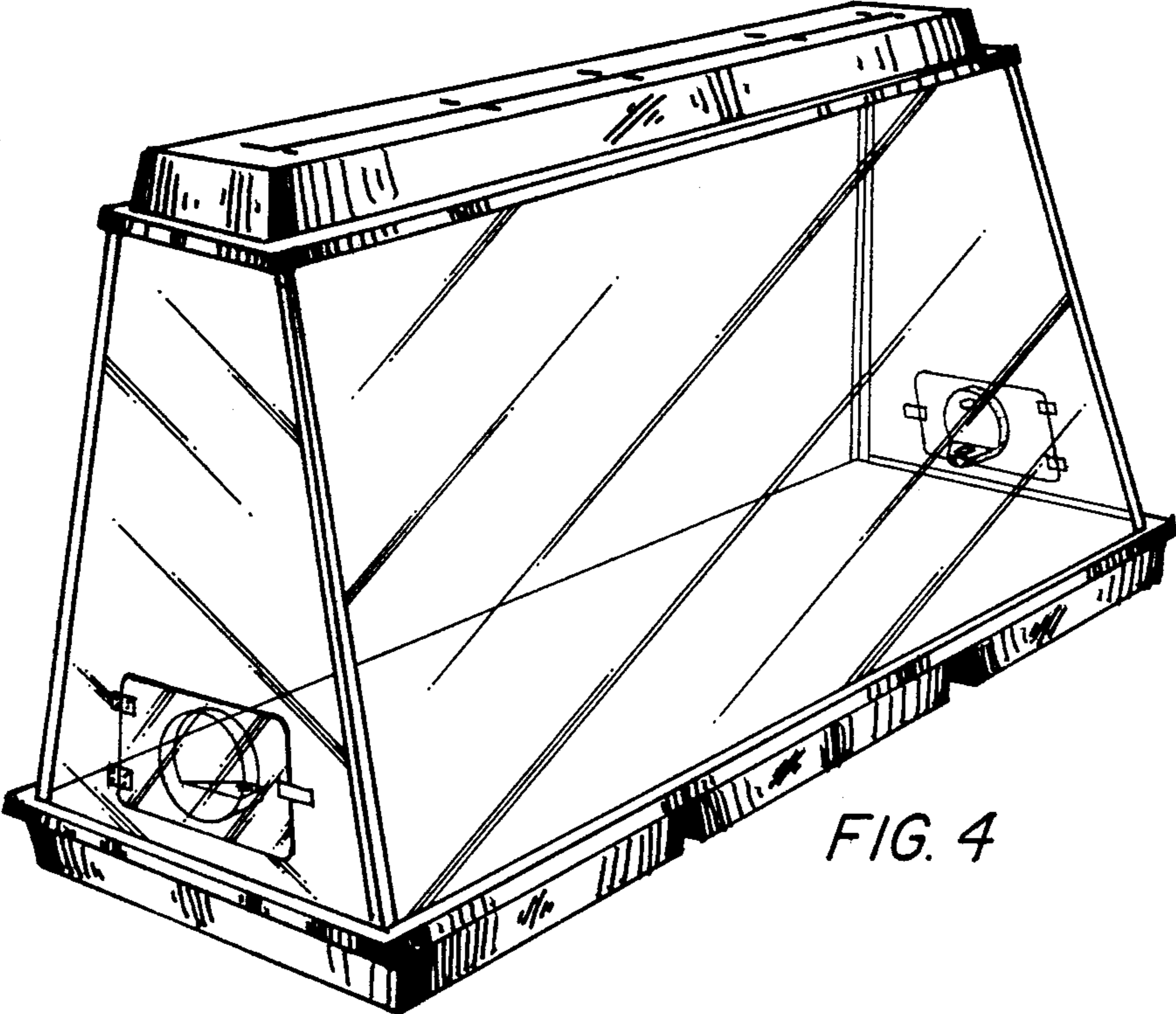


FIG. 4

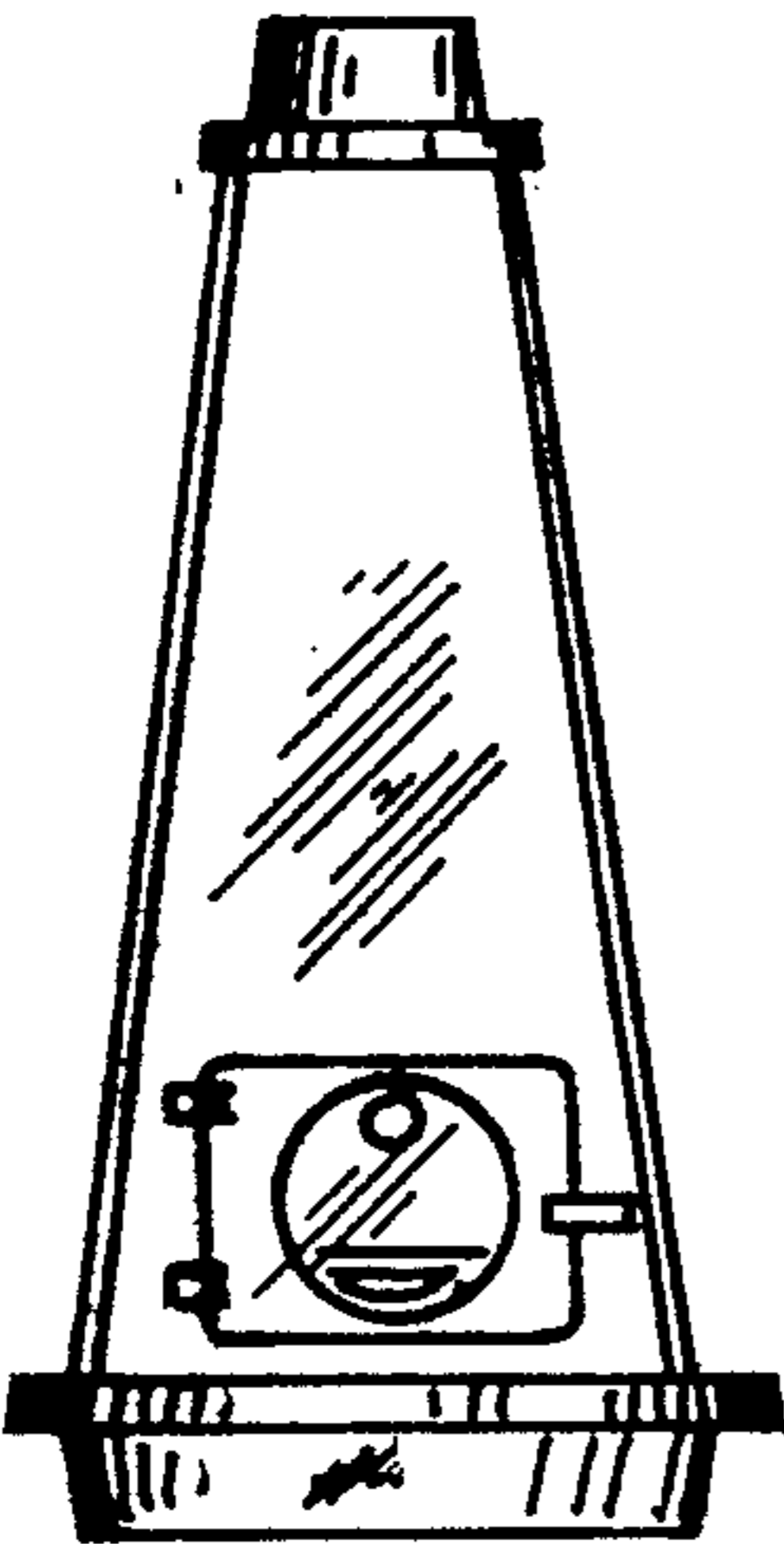


FIG. 5

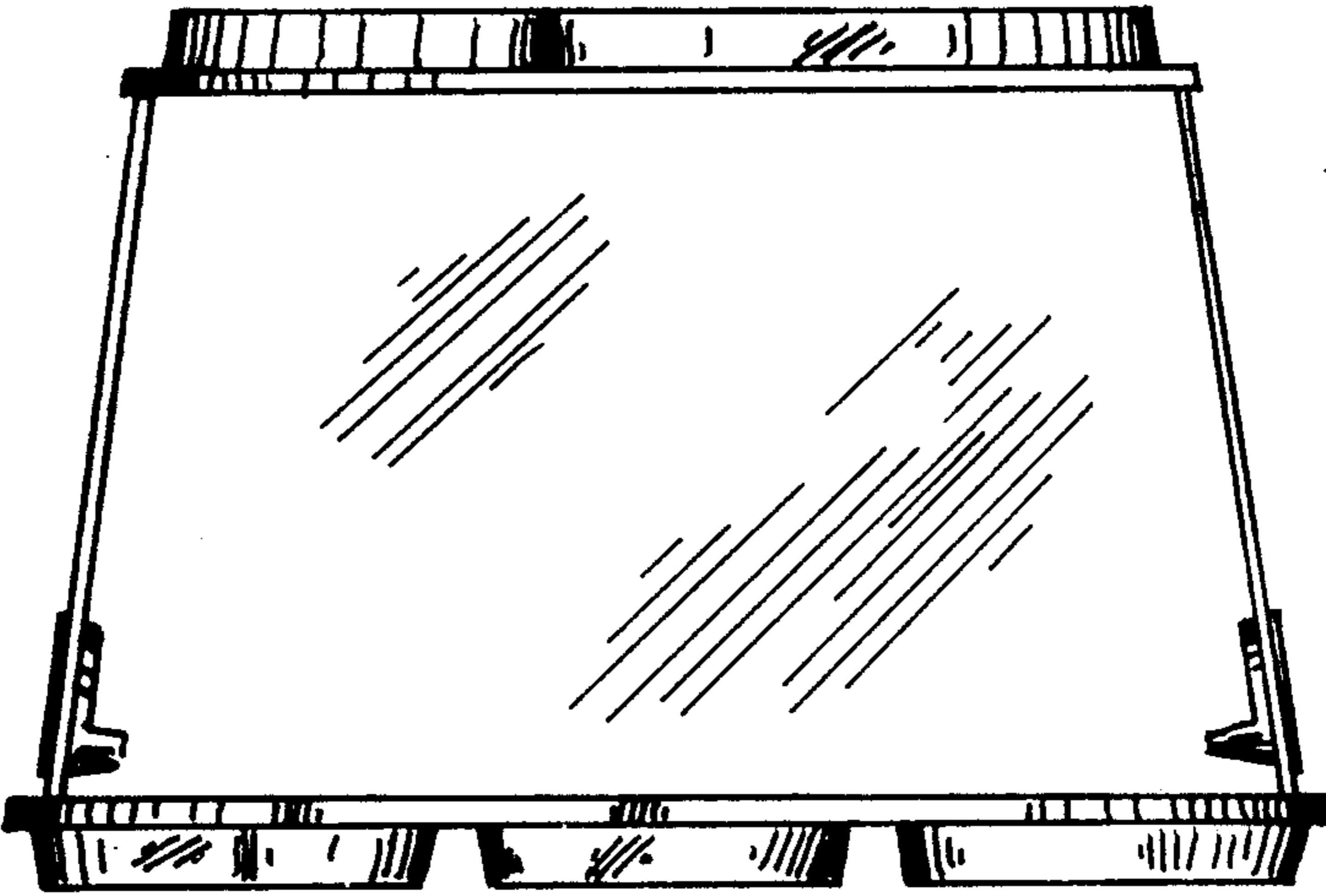


FIG. 6