

[54] SCOOP WITH CLEANING SLOTS FOR SMOKING TOBACCO AND THE LIKE

[76] Inventor: Eugene Hernandez, Box 101, Garner Valley, Mountain Center, Calif. 92361

[**] Term: 7 Years

[21] Appl. No.: 869,809

[22] Filed: Jan. 16, 1978

[51] Int. Cl. D7-04; D27-99; D30-99

[52] U.S. Cl. D27/51; D7/47; D7/104; D30/99

[58] Field of Search D7/104, 161, 47; D27/51; 294/55, 54, 56; 209/417, 418, 419, 233; 15/236 R; 131/109 B; D30/99

[56] References Cited

U.S. PATENT DOCUMENTS

1,202,791 10/1916 Brownstein 294/55 X

FOREIGN PATENT DOCUMENTS

12314 of 1900 United Kingdom 209/418

Primary Examiner—Catherine E. Kemper
Attorney, Agent, or Firm—Fulwider, Patton, Rieber, Lee & Utecht

[57] CLAIM

The ornamental design for a scoop with cleaning slots for smoking tobacco and the like, as shown and described.

DESCRIPTION

FIG. 1 is an inverted perspective view of a scoop with cleaning slots for smoking tobacco and the like, showing my new design;
FIG. 2 is a bottom plan view thereof;
FIG. 3 is an end elevational view thereof;
FIG. 4 is a front elevational view thereof;
FIG. 5 is an inverted perspective view of a second embodiment, wherein the only difference resides in the configuration of the cleaning slots;
FIG. 6 is a bottom plan view thereof;
FIG. 7 is an end elevational view thereof; and
FIG. 8 is a front elevational view thereof.

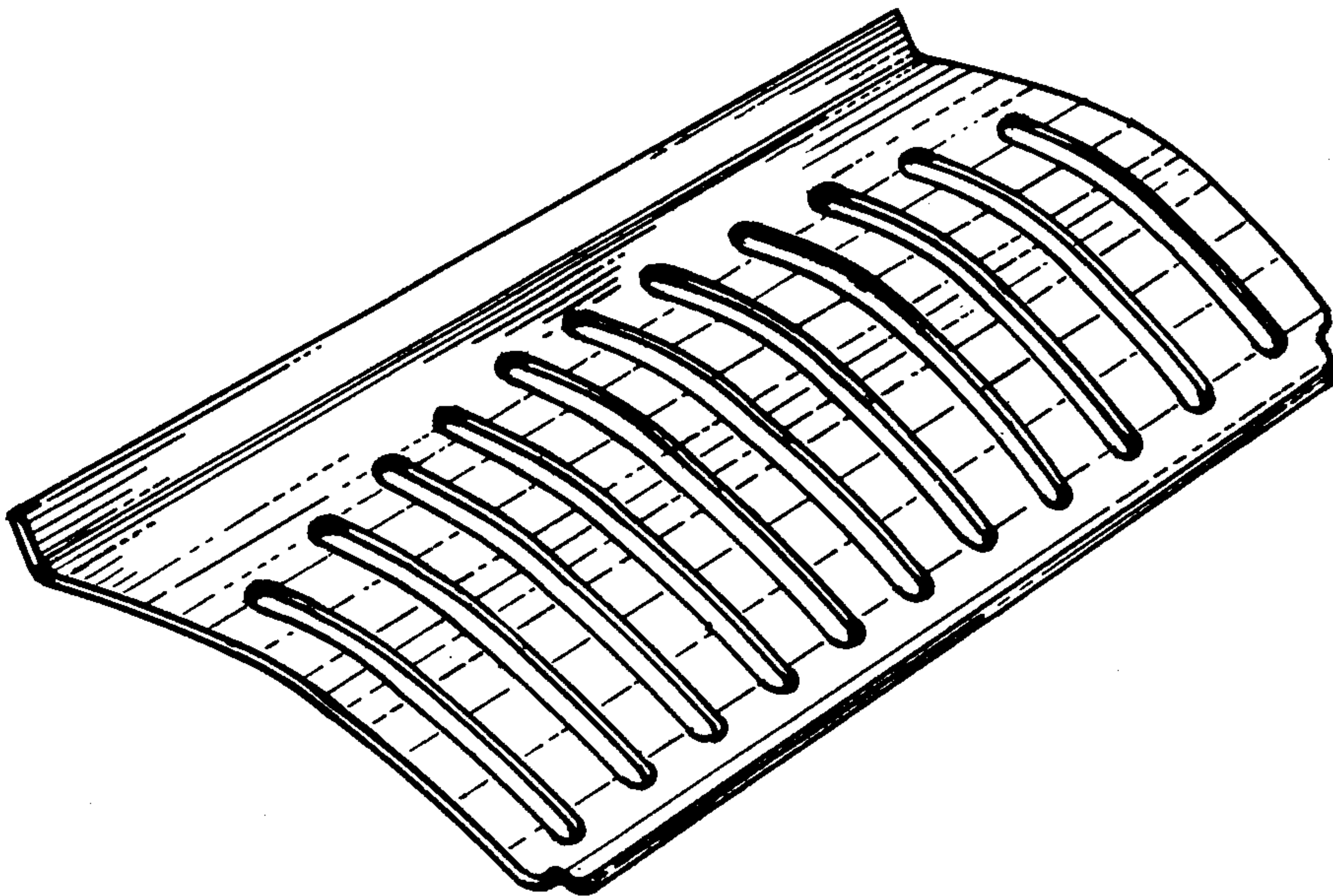


Fig. 1

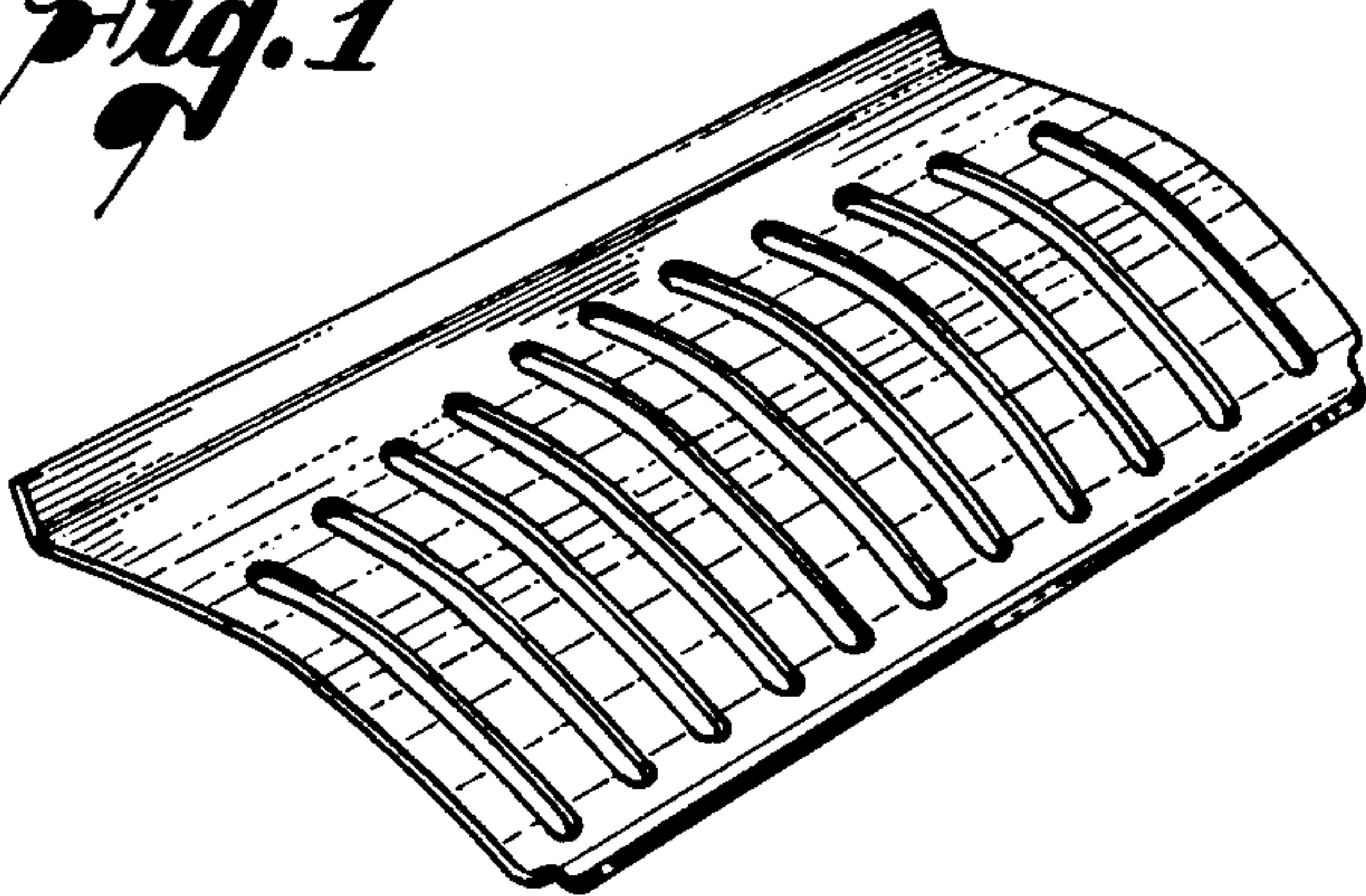


Fig. 2

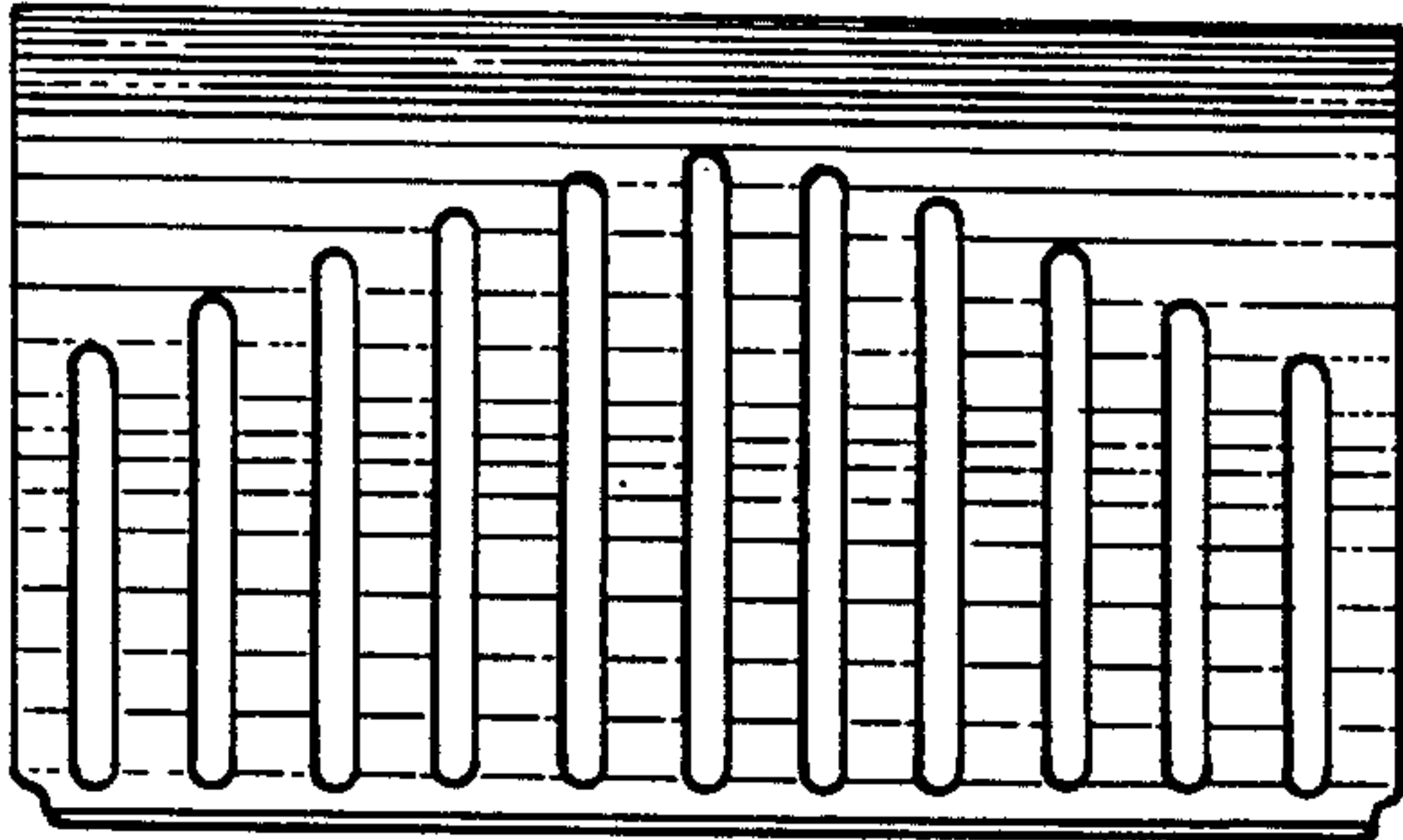


Fig. 3



Fig. 4

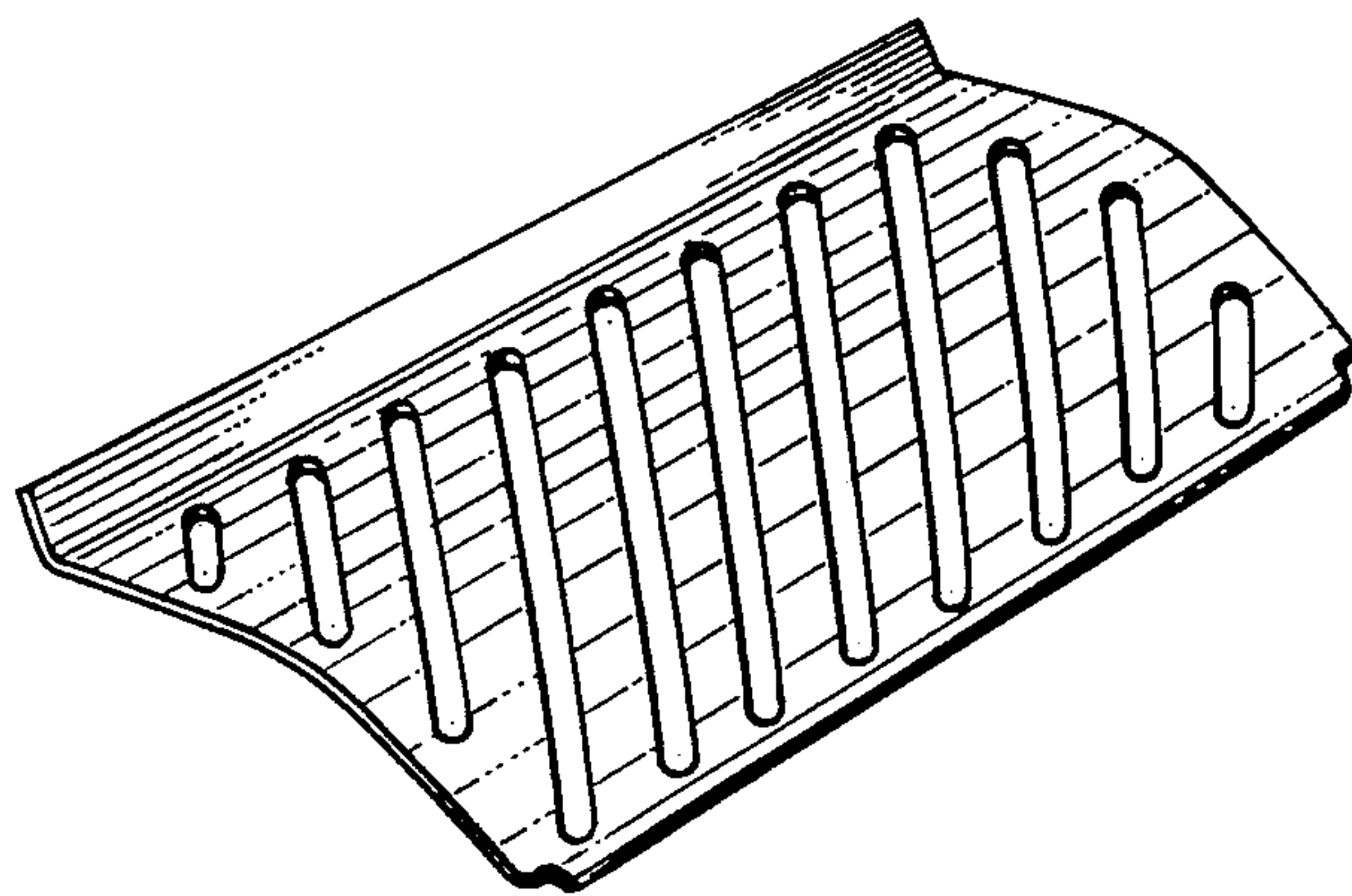


Fig. 5

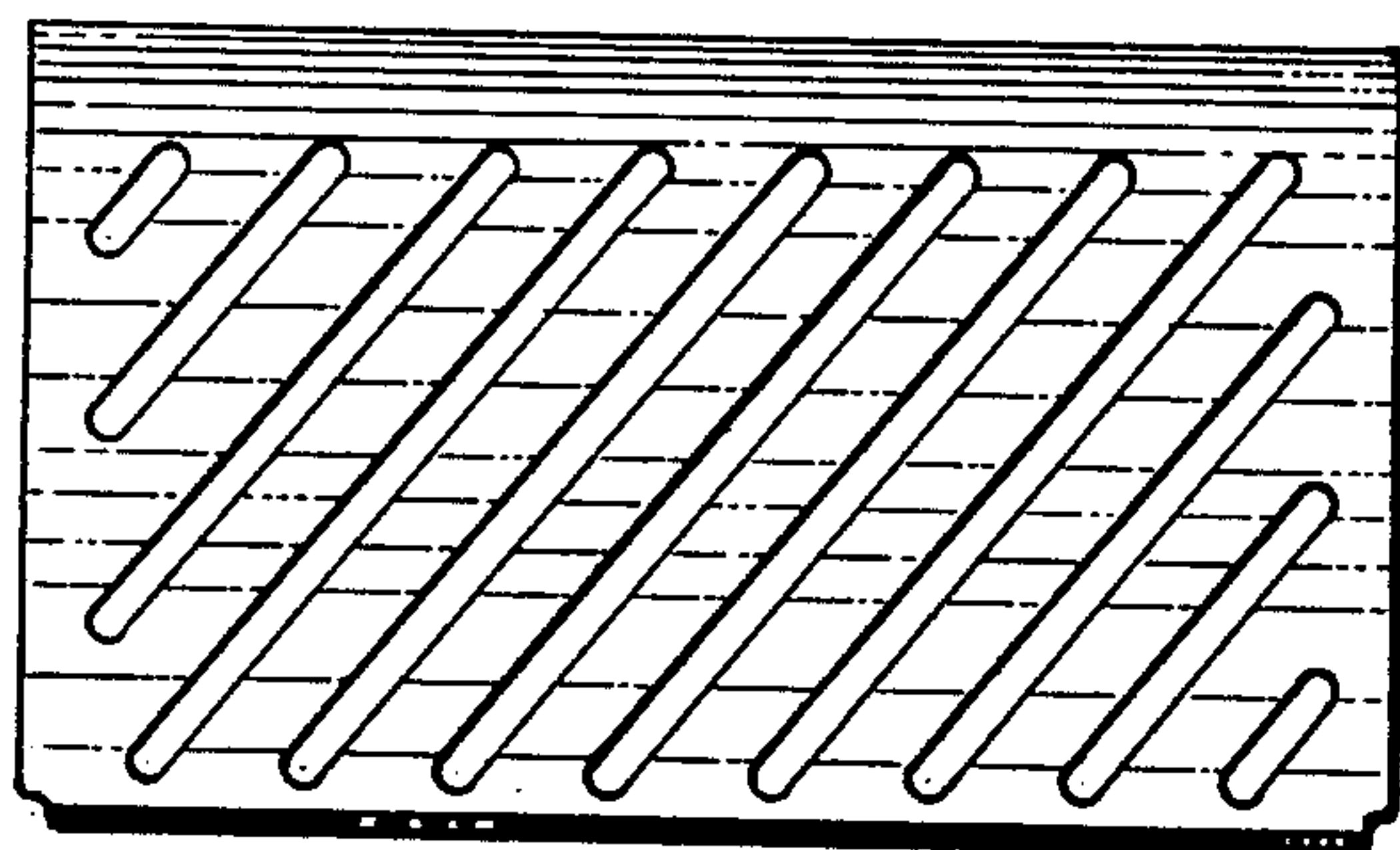


Fig. 6



Fig. 7



Fig. 8