

[54] **PORTABLE GALLERY LAMP**

[76] Inventor: **Darwin D. Grant**, 8757 E. Monterosa,  
Scottsdale, Ariz. 85251

[\*\*] Term: **14 Years**

[21] Appl. No.: **964,331**

[22] Filed: **Nov. 27, 1978**

[51] Int. Cl. .... **D26—05**  
[52] U.S. Cl. .... **D26/76; D26/56**  
[58] Field of Search ..... **D48/20 E, 20 F, 4 B,**  
**D48/23 A; 362/217, 218, 219, 220, 221, 222,**  
**223, 226, 432; 362/98, 125, 157, 194**

[56]

**References Cited**

**U.S. PATENT DOCUMENTS**

D. 130,127 10/1941 Ludwig ..... D48/20 F  
D. 179,451 12/1956 Hindle ..... D48/20 E X  
2,523,290 9/1950 Gardner ..... D48/20 E X

*Primary Examiner*—Susan J. Lucas  
*Attorney, Agent, or Firm*—Warren F. B. Lindsley

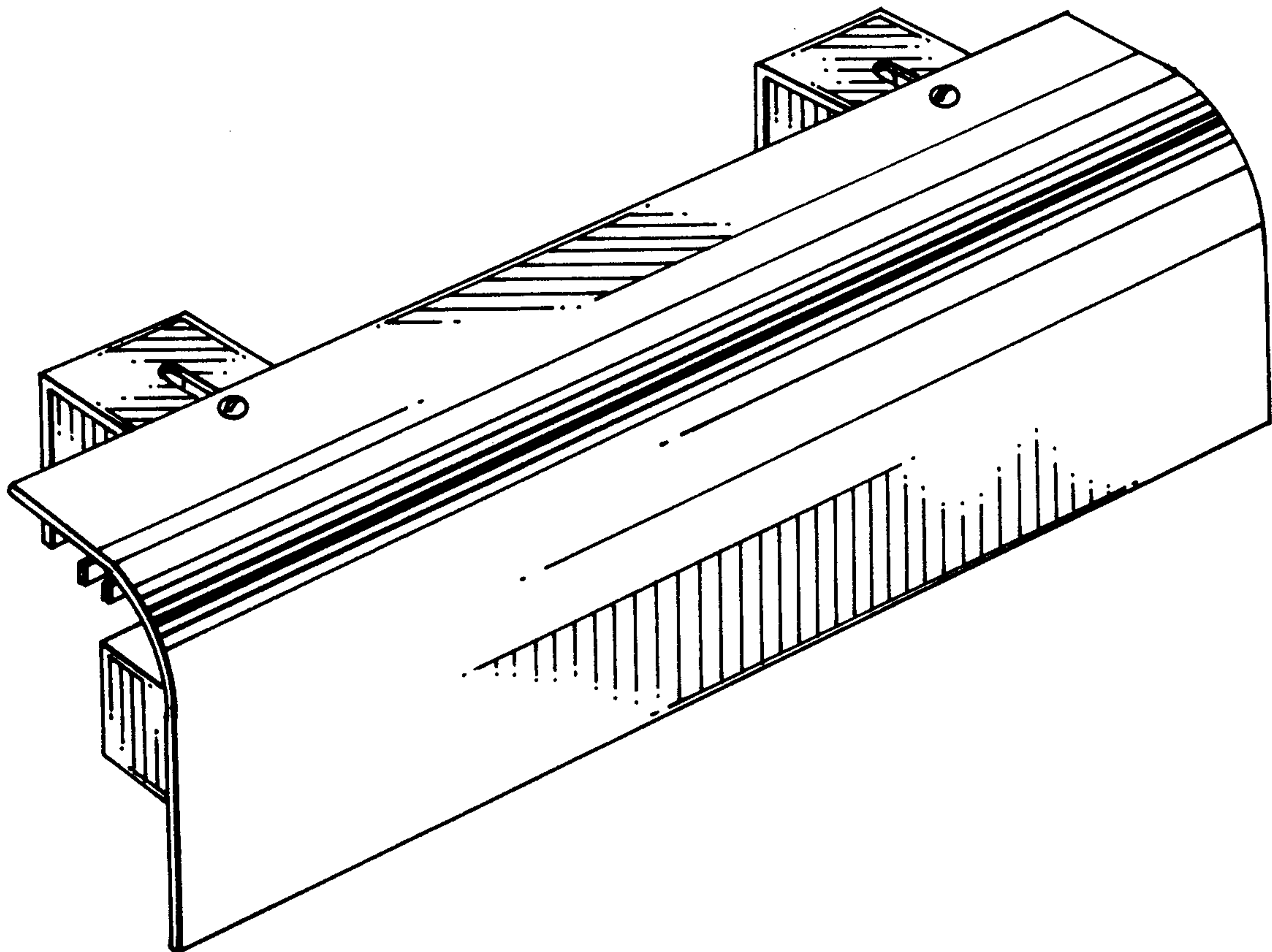
[57]

**CLAIM**

The ornamental design for a portable gallery lamp, as shown and described.

**DESCRIPTION**

FIG. 1 is a perspective view of one end, side and top of a portable gallery lamp showing my new design.  
FIG. 2 is a perspective view of the other end, side and bottom of the portable gallery lamp shown in FIG. 1.  
FIG. 3 is an end view thereof on an enlarged scale.



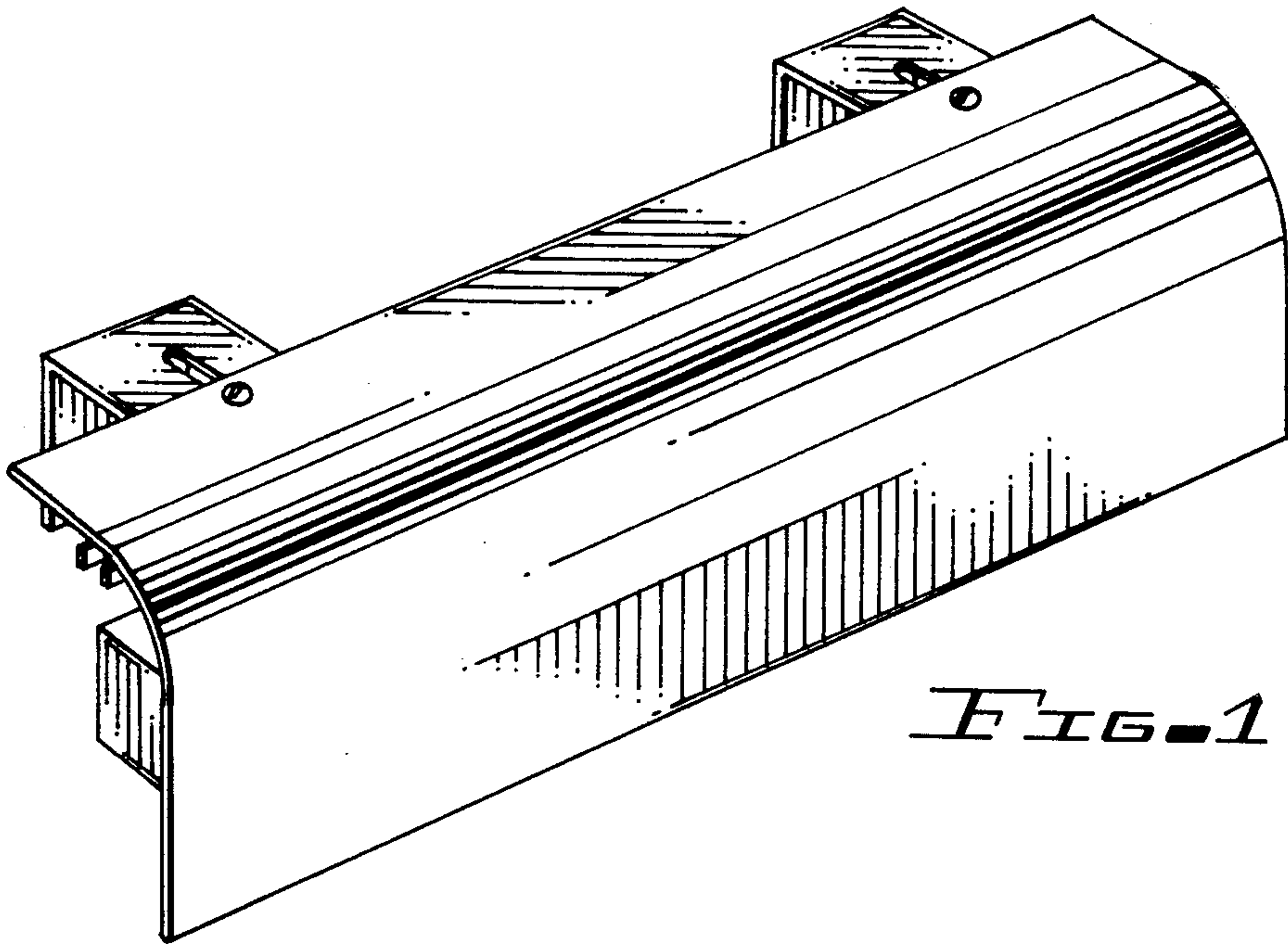


FIG. 1

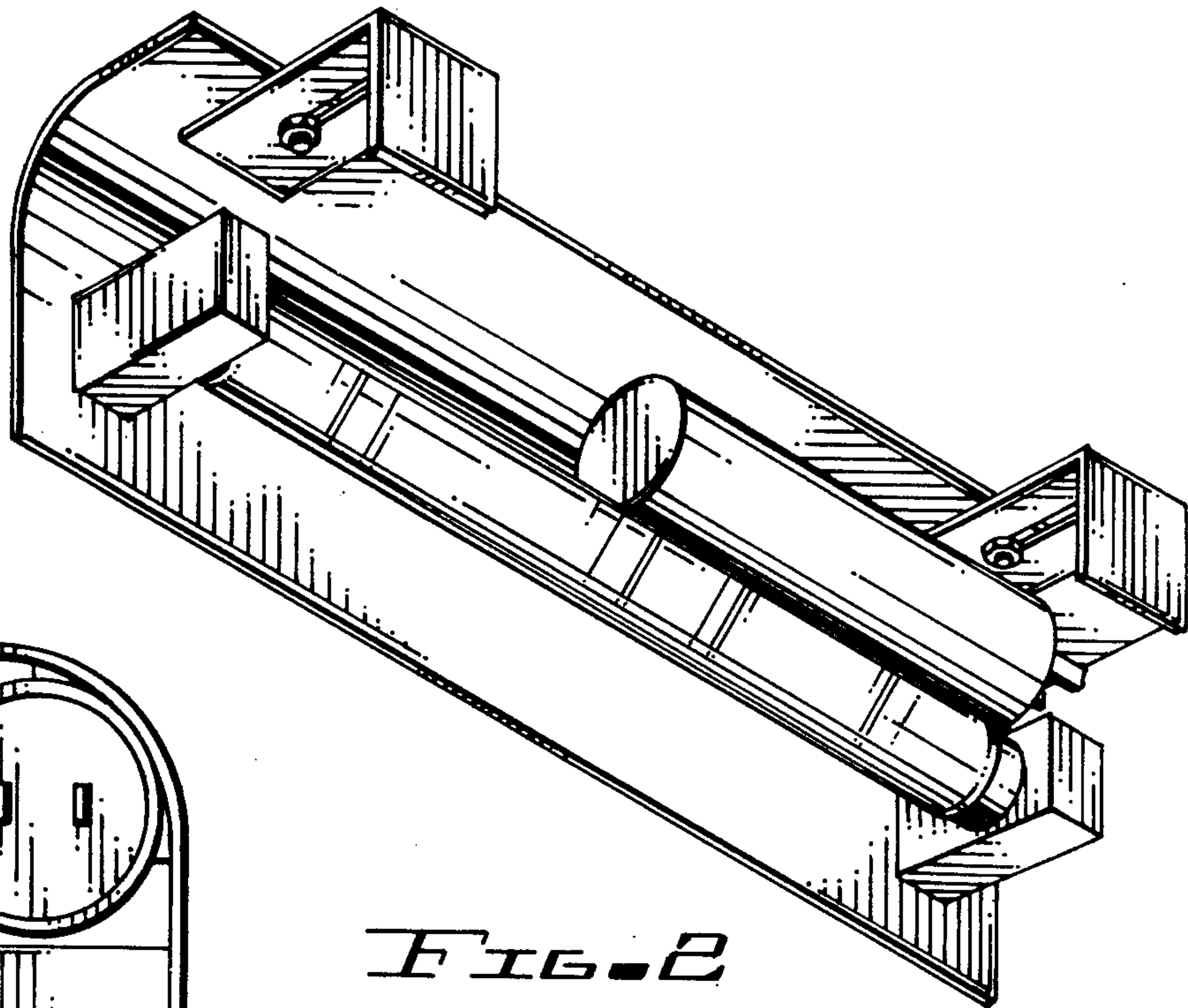


FIG. 2

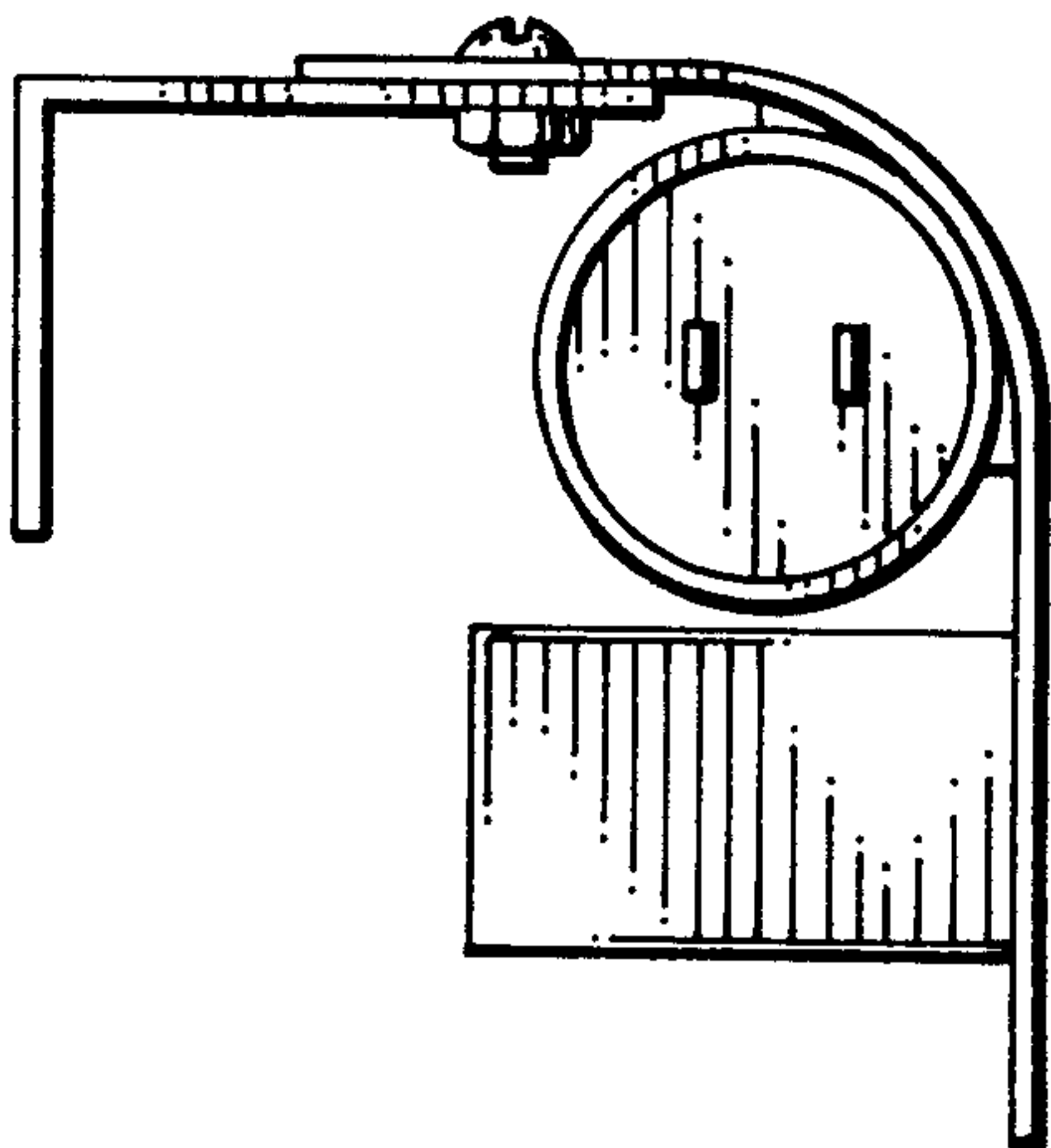


FIG. 3