

[54] HYDROMASSAGE TUB

[75] Inventors: **Ralph D'Innocente**, Pleasant Hill;
Roy A. Jacuzzi, Moraga, both of Calif.

[73] Assignee: **Jacuzzi Whirlpool Bath, Inc.**

[**] Term: **14 Years**

[21] Appl. No.: **879,710**

[22] Filed: **Feb. 21, 1978**

[51] Int. Cl. **D24-01; D23-02**

[52] U.S. Cl. **D24/36; D23/55**

[58] Field of Search **D24/36, 38; D23/55; D25/2; 4/172, 173, 177; 128/66, 369**

[56] **References Cited**

U.S. PATENT DOCUMENTS

D. 206,143	11/1966	Jacuzzi	D24/38
D. 226,405	2/1973	Jacuzzi	D24/38
D. 251,201	2/1979	Mathis	D24/38
D. 251,610	4/1979	Moltke	D24/38

D. 251,920	5/1979	Ogden	D24/38
3,043,296	7/1962	Gregory	128/369 X
3,736,924	6/1973	Jacuzzi	D23/55 UX

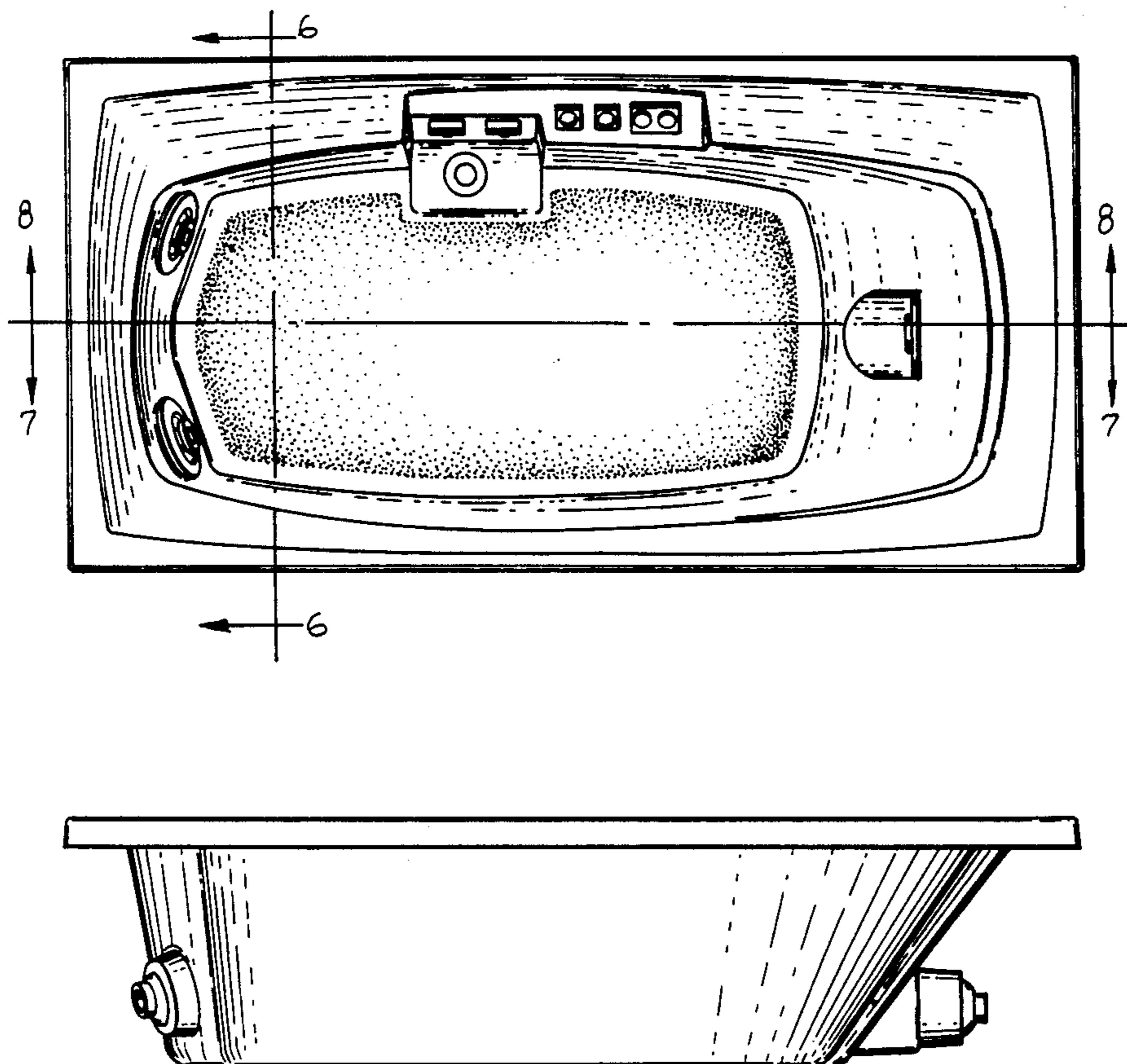
Primary Examiner—Bernard Ansher
Attorney, Agent, or Firm—Edward Brosler

[57] **CLAIM**

The ornamental design of a hydromassage tub, as shown and described.

DESCRIPTION

FIG. 1 is a top plan view of a hydromassage tub showing our new design;
 FIG. 2 is a left end elevation thereof;
 FIG. 3 is a right end elevation thereof;
 FIG. 4 is a side elevation thereof;
 FIG. 5 is an elevation as seen from the side opposite FIG. 4;
 FIG. 6 is a cross-section taken on line 6—6 of FIG. 1;
 FIG. 7 is a cross-section taken on line 7—7 of FIG. 1;
 and
 FIG. 8 is a cross-section taken on line 8—8 of FIG. 1.



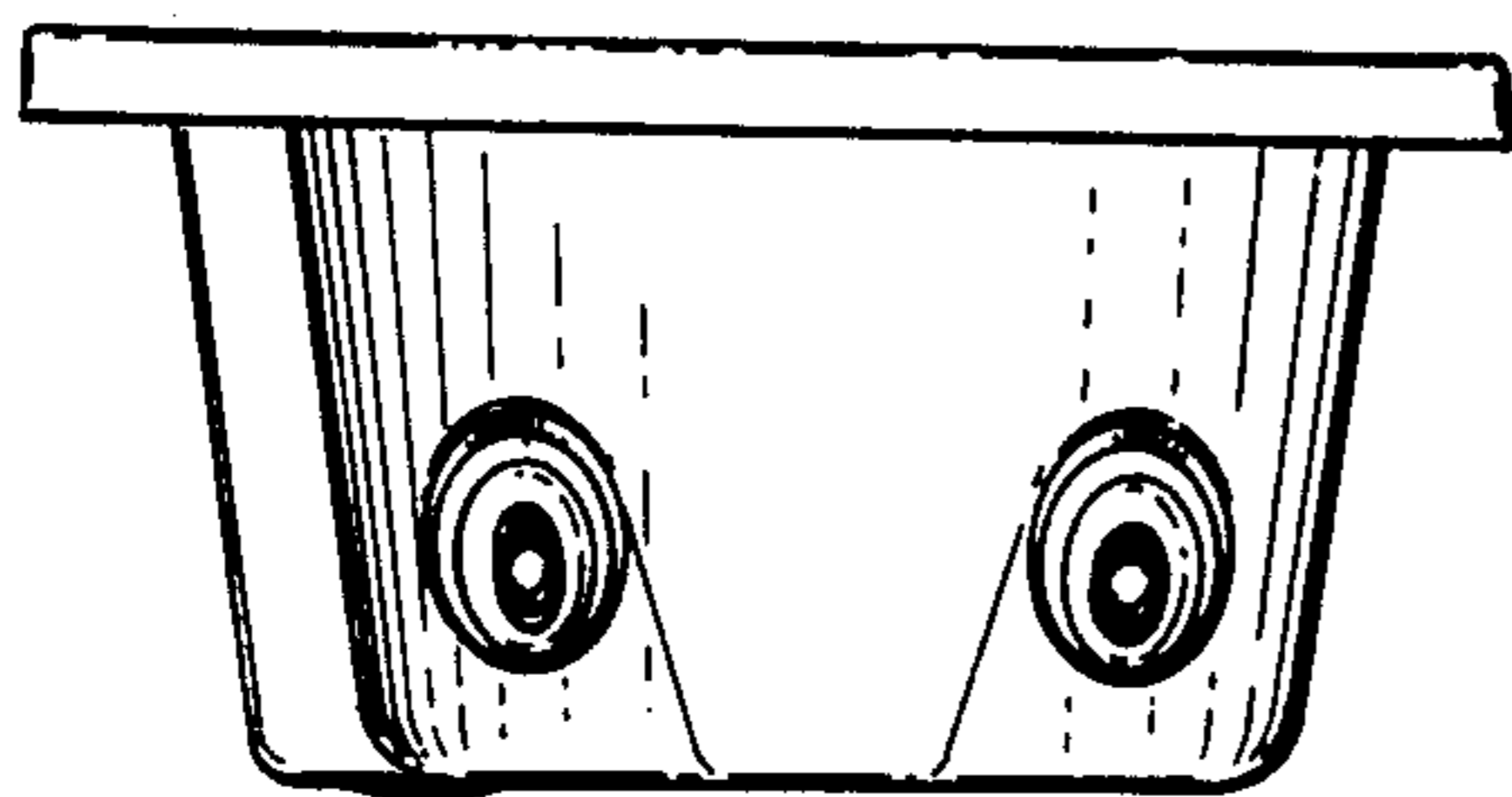
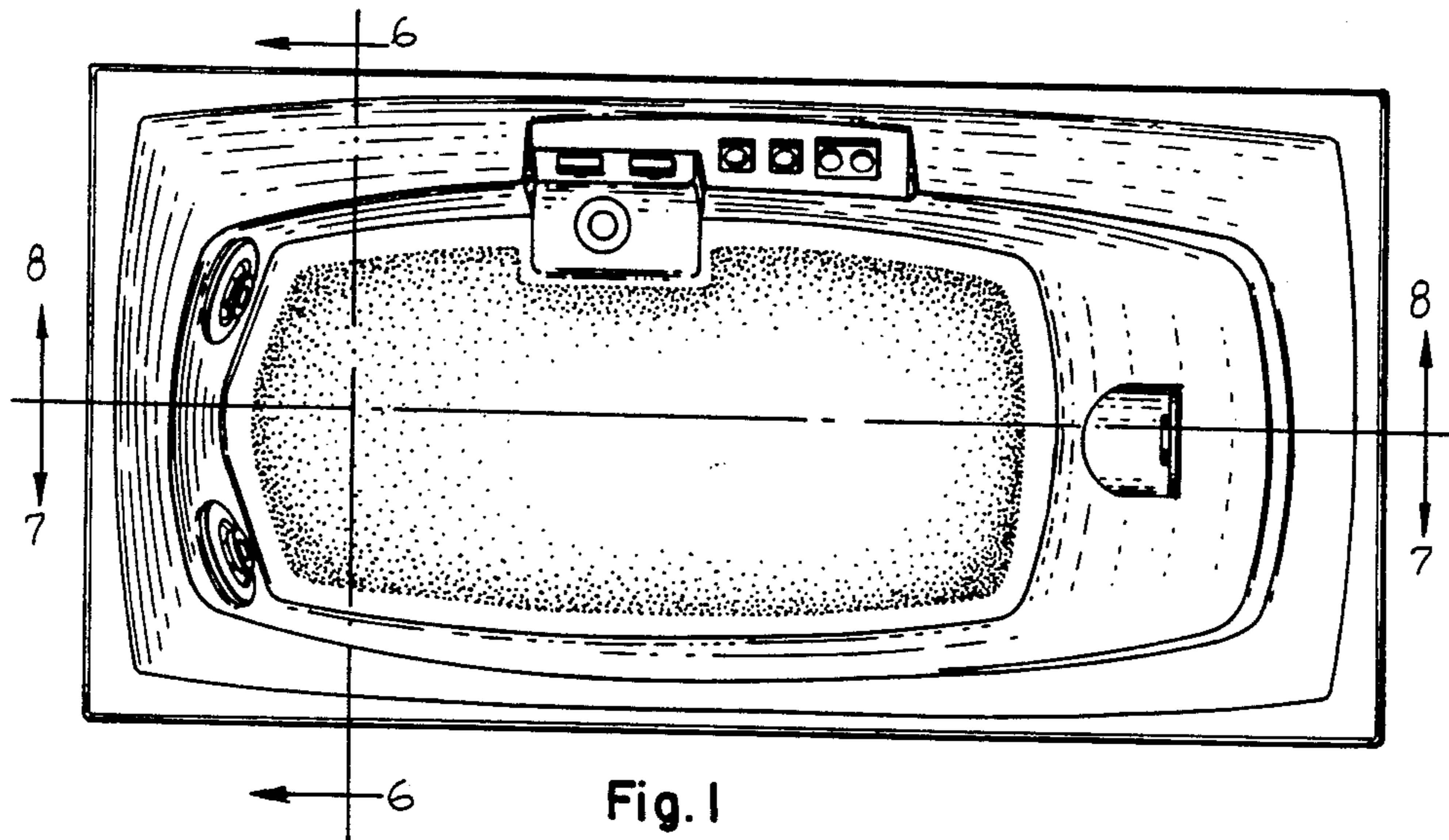


Fig. 2

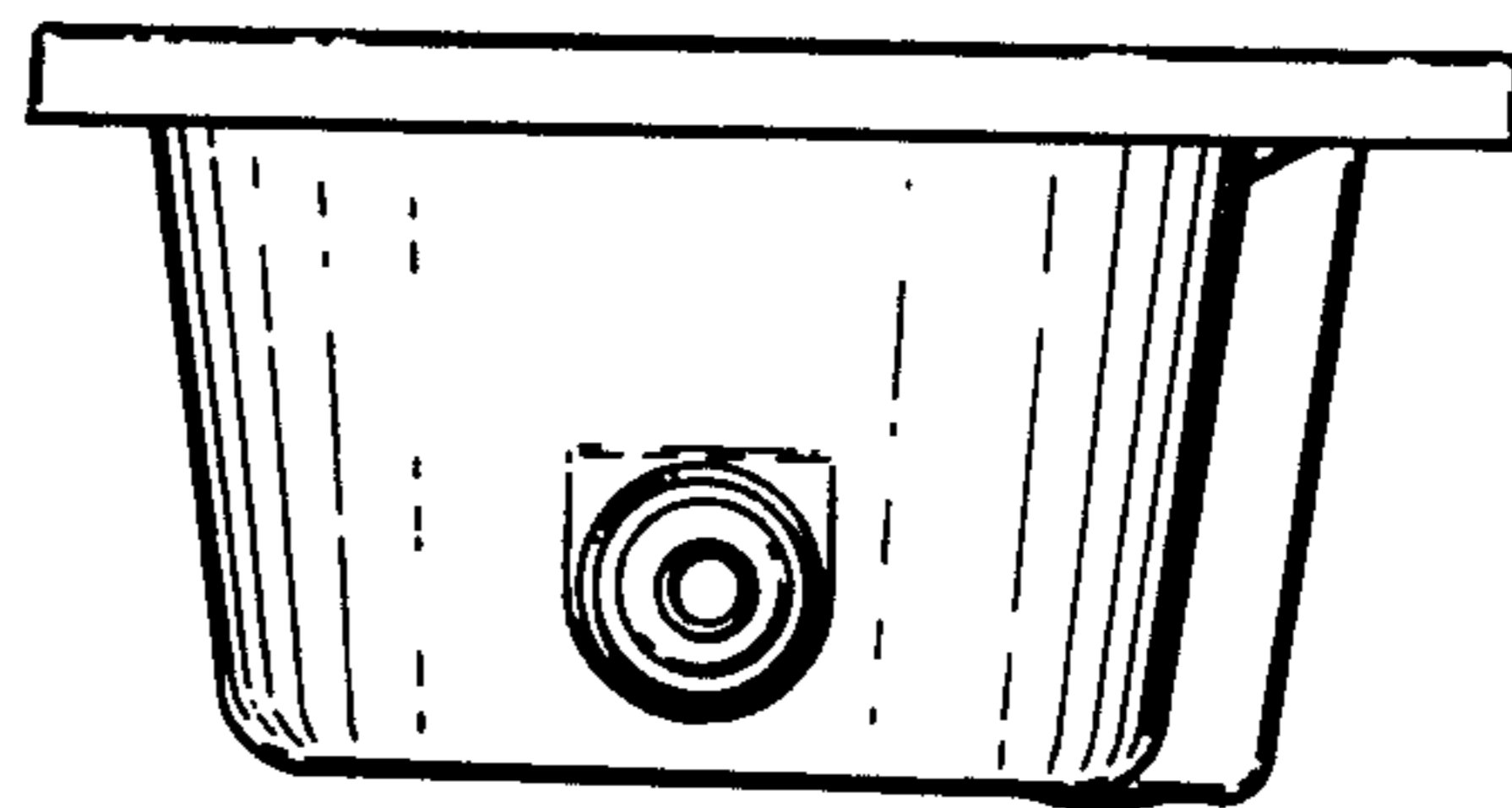


Fig. 3

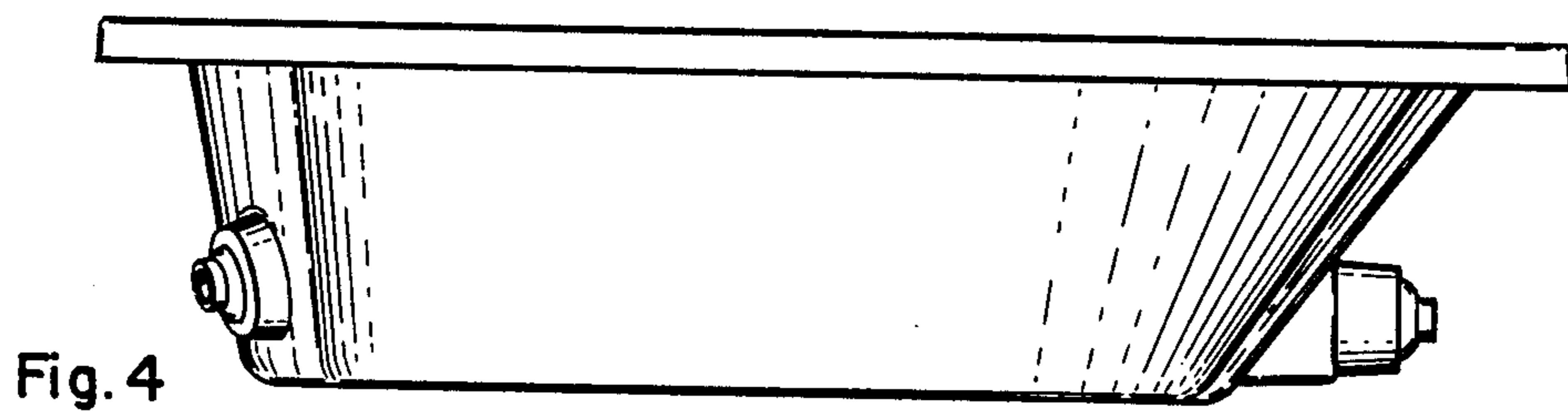


Fig. 4

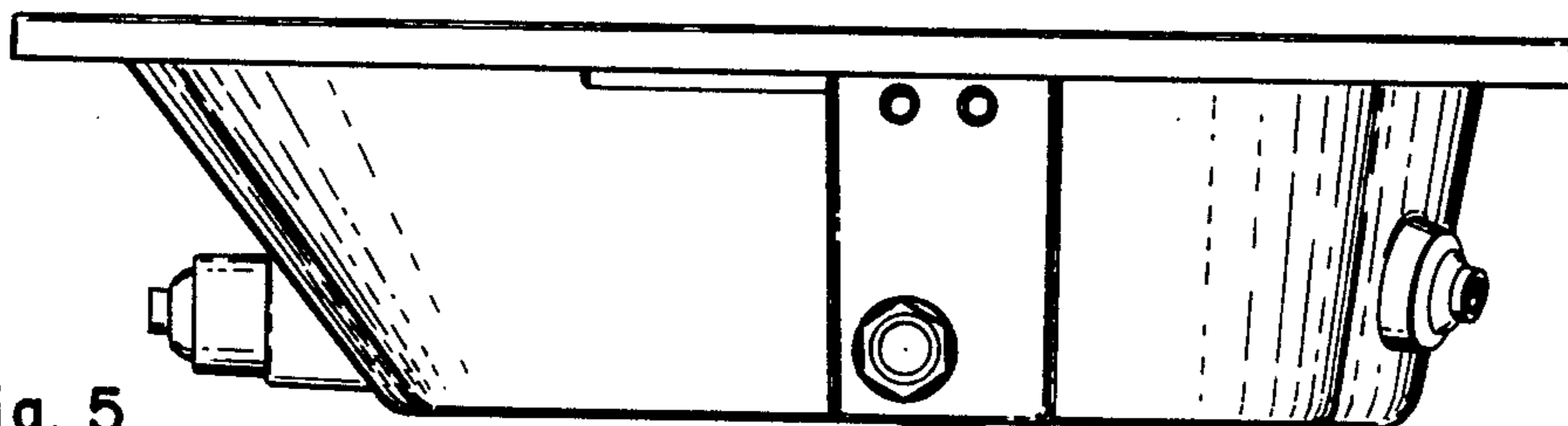


Fig. 5

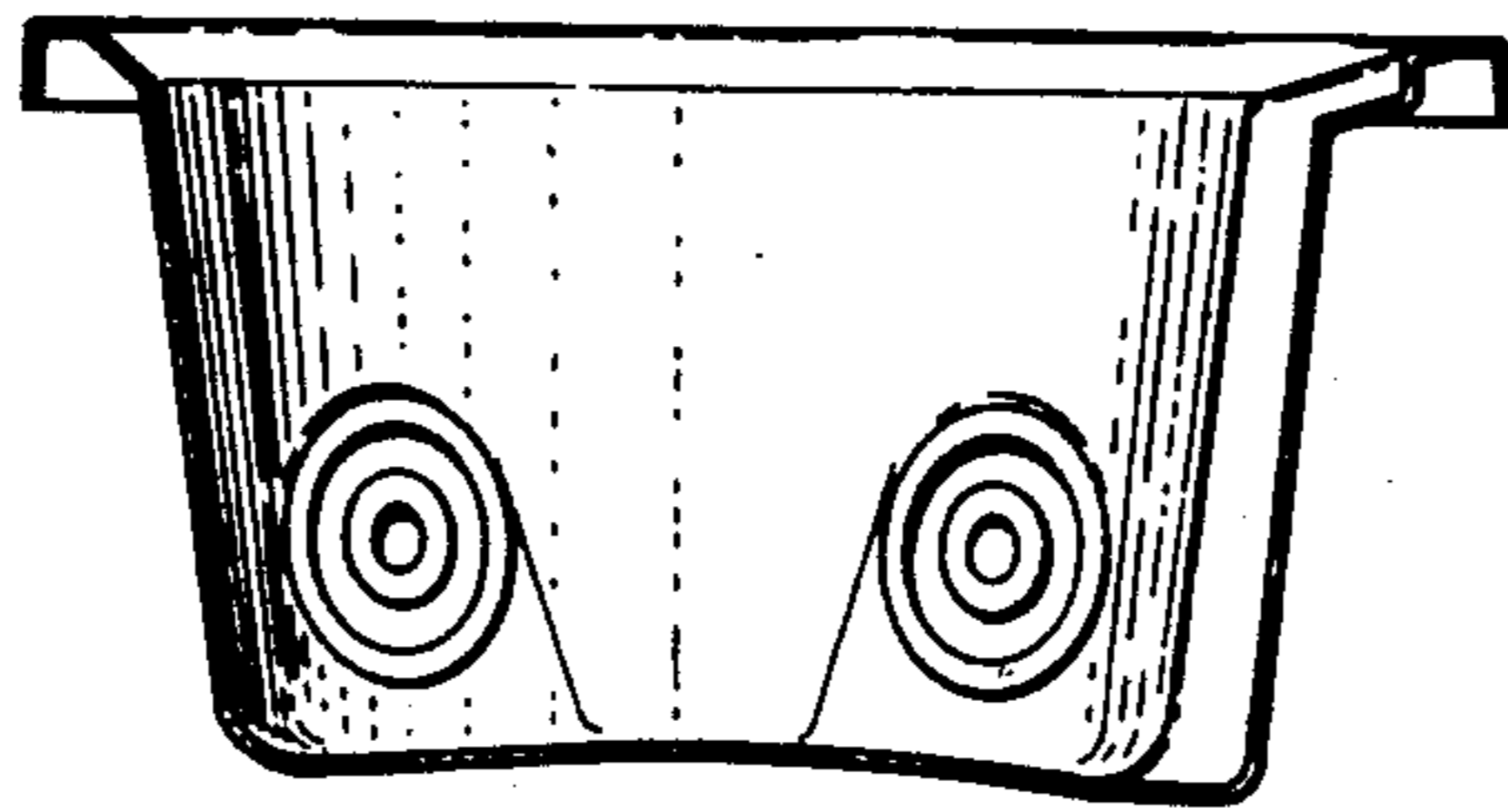


Fig. 6

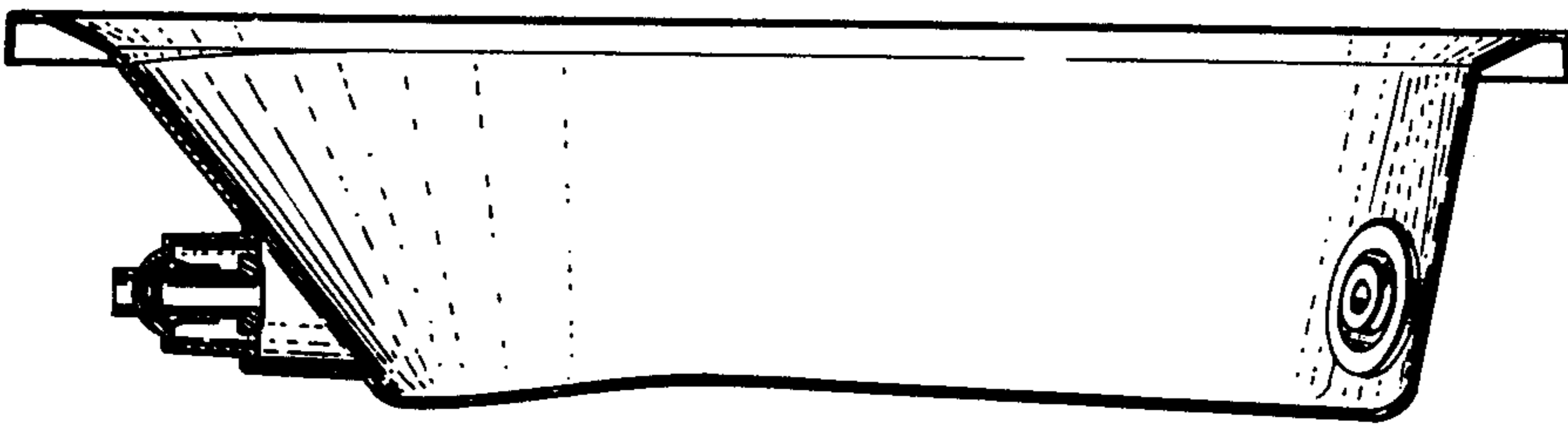


Fig. 7

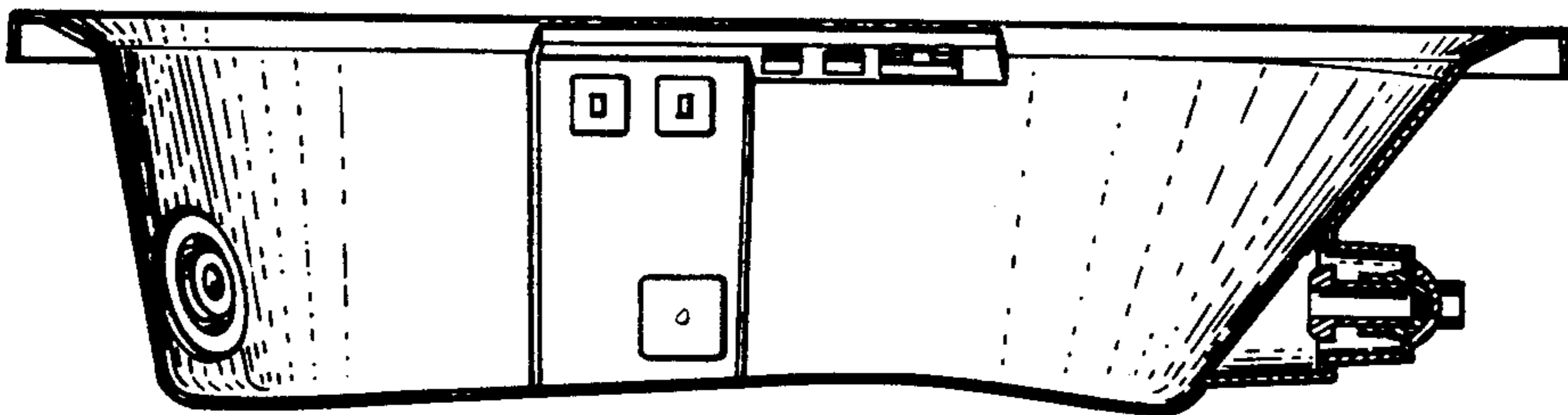


Fig. 8