

[54] FIREPLACE

[76] Inventor: Niilo H. Teeri, Korppaantie 8 D, SF-00300 Helsinki 30, Finland

[**] Term: 14 Years

[21] Appl. No.: 900,023

[22] Filed: Apr. 25, 1978

[51] Int. Cl. D23-03
[52] U.S. Cl. D23/97
[58] Field of Search D23/72, 93-97, D23/105, 106, 107, 118, 119, 127; 126/4, 6, 120, 121, 123, 126, 130, 135, 136, 141, 58, 60-66

[56]

References Cited

U.S. PATENT DOCUMENTS

D. 224,534	8/1972	Dupler	D23/93
D. 231,933	6/1974	Andrew	D23/97
D. 251,385	3/1979	Zimmer	D23/97
D. 251,501	4/1979	Peterman	D23/97
1,706,572	3/1929	Glenn	126/58

Primary Examiner—Catherine E. Kemper
Attorney, Agent, or Firm—S. Delvalle Goldsmith

[57]

CLAIM

The ornamental design for a fireplace, as shown.

DESCRIPTION

FIG. 1 is a front perspective view of a fireplace showing my new design; and
FIG. 2 is a rear elevational view thereof.

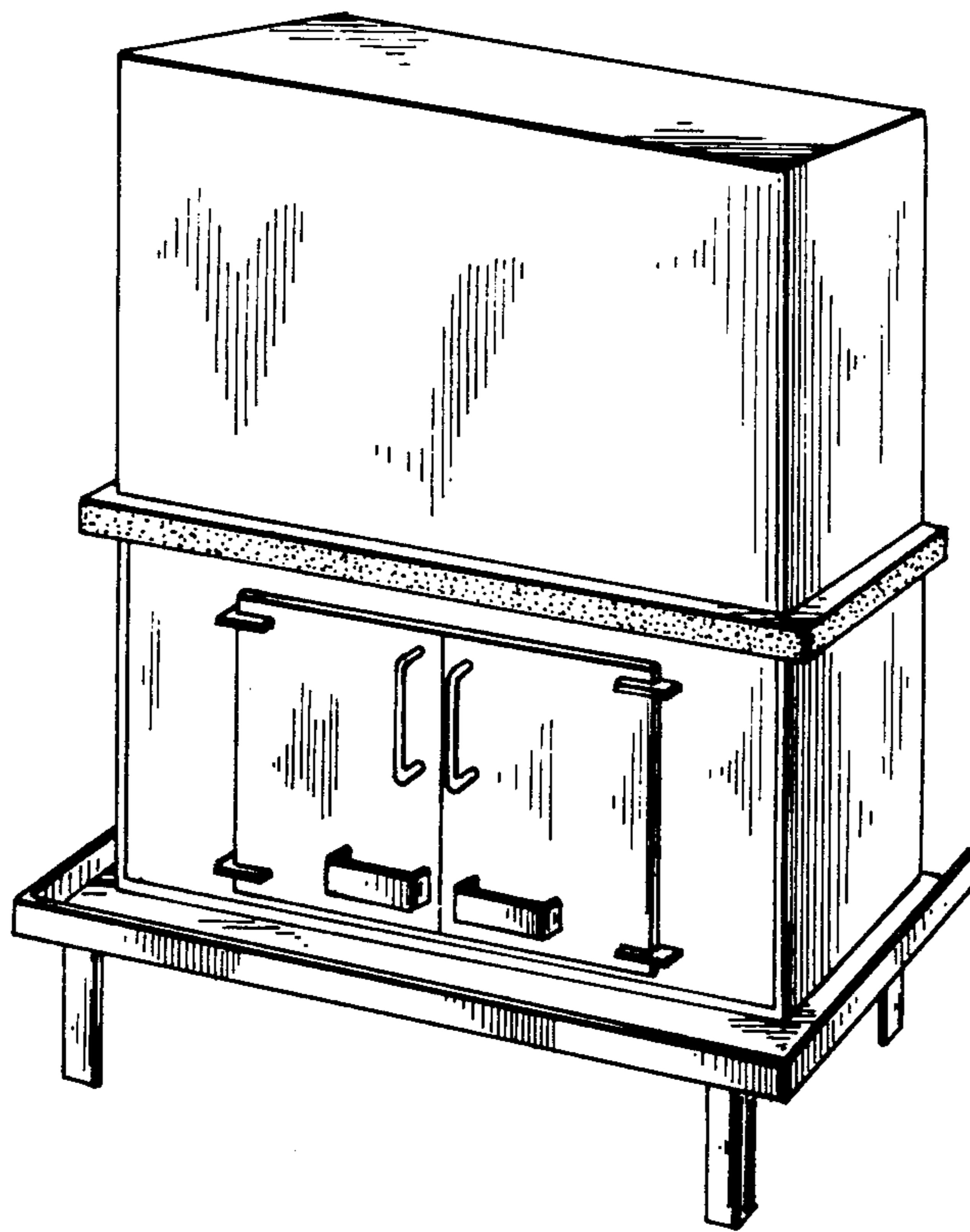


FIG. 2

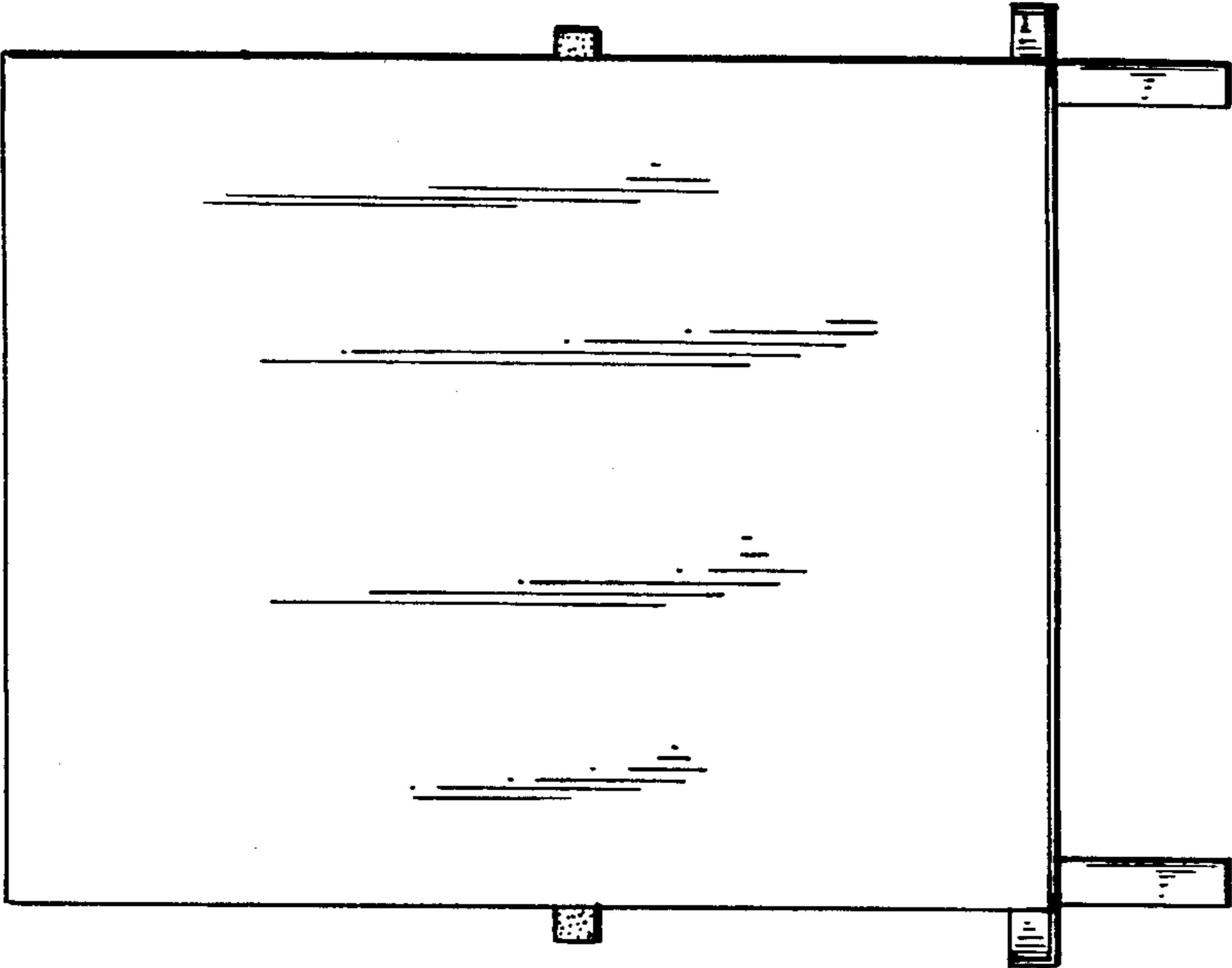


FIG. 1

