

[54] **SINK**  
[75] **Inventor:** Alan F. Rosenkranz, East Northport,  
N.Y.  
[73] **Assignee:** United Utensils Company, Inc.  
[\*\*] **Term:** 14 Years  
[21] **Appl. No.:** 953,414  
[22] **Filed:** Oct. 23, 1978  
[51] **Int. Cl.** ..... D23-02  
[52] **U.S. Cl.** ..... D23/58  
[58] **Field of Search** ..... D23/48-71,  
D23/166, 167, 187 R, 249, 251, 434  
[56] **References Cited**  
**U.S. PATENT DOCUMENTS**  
D. 197,691 3/1964 Hetzler ..... D23/54

D. 200,845 4/1965 Aarnio ..... D23/58  
D. 208,395 8/1967 Mustee ..... D23/58  
D. 223,830 6/1972 Emanuele ..... D23/50  
D. 232,322 8/1974 Lee ..... D23/58 X  
3,535,715 10/1970 Booker et al. .... 4/167

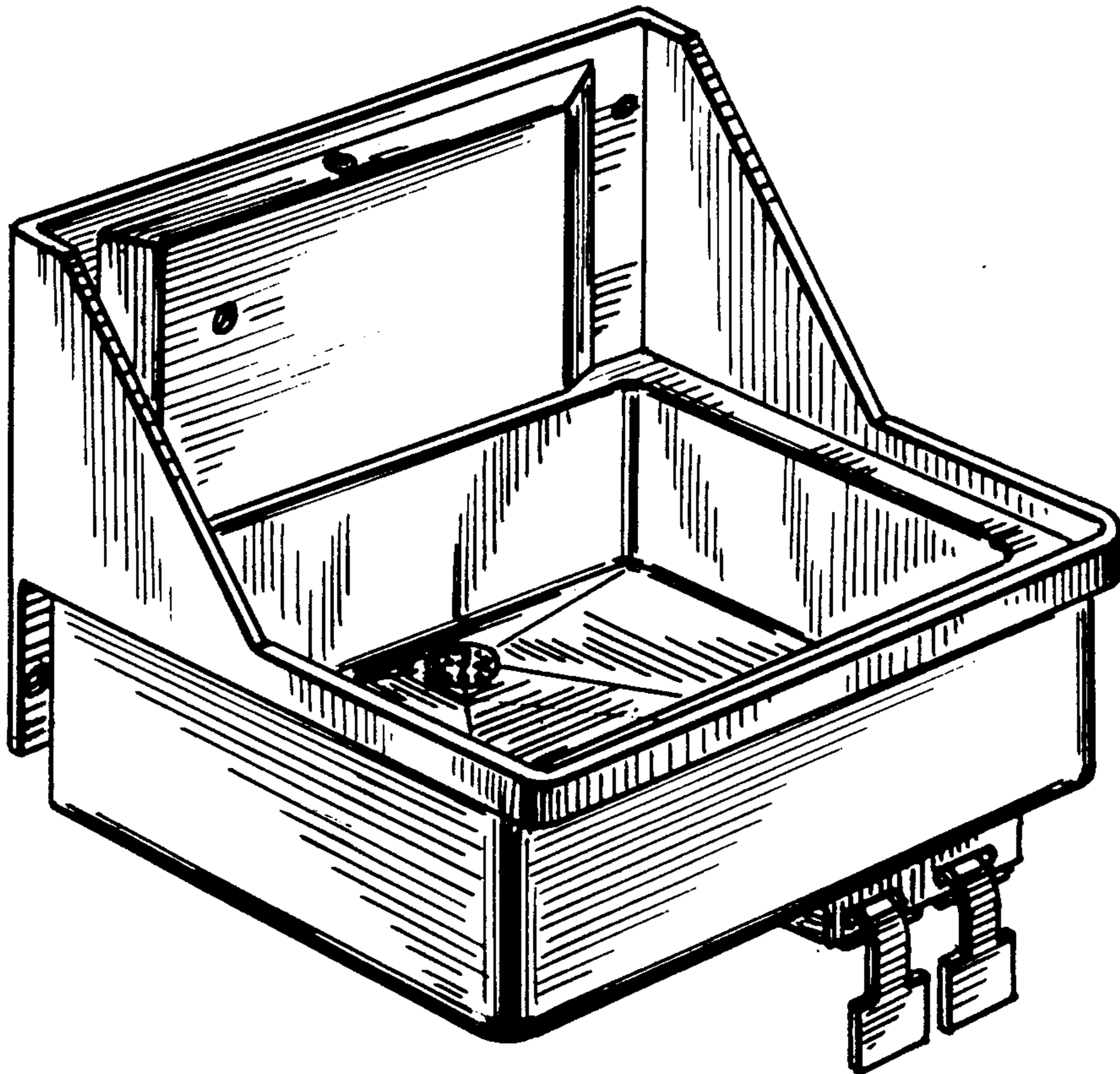
*Primary Examiner*—James R. Largen  
*Attorney, Agent, or Firm*—Louis H. Reens

[57] **CLAIM**

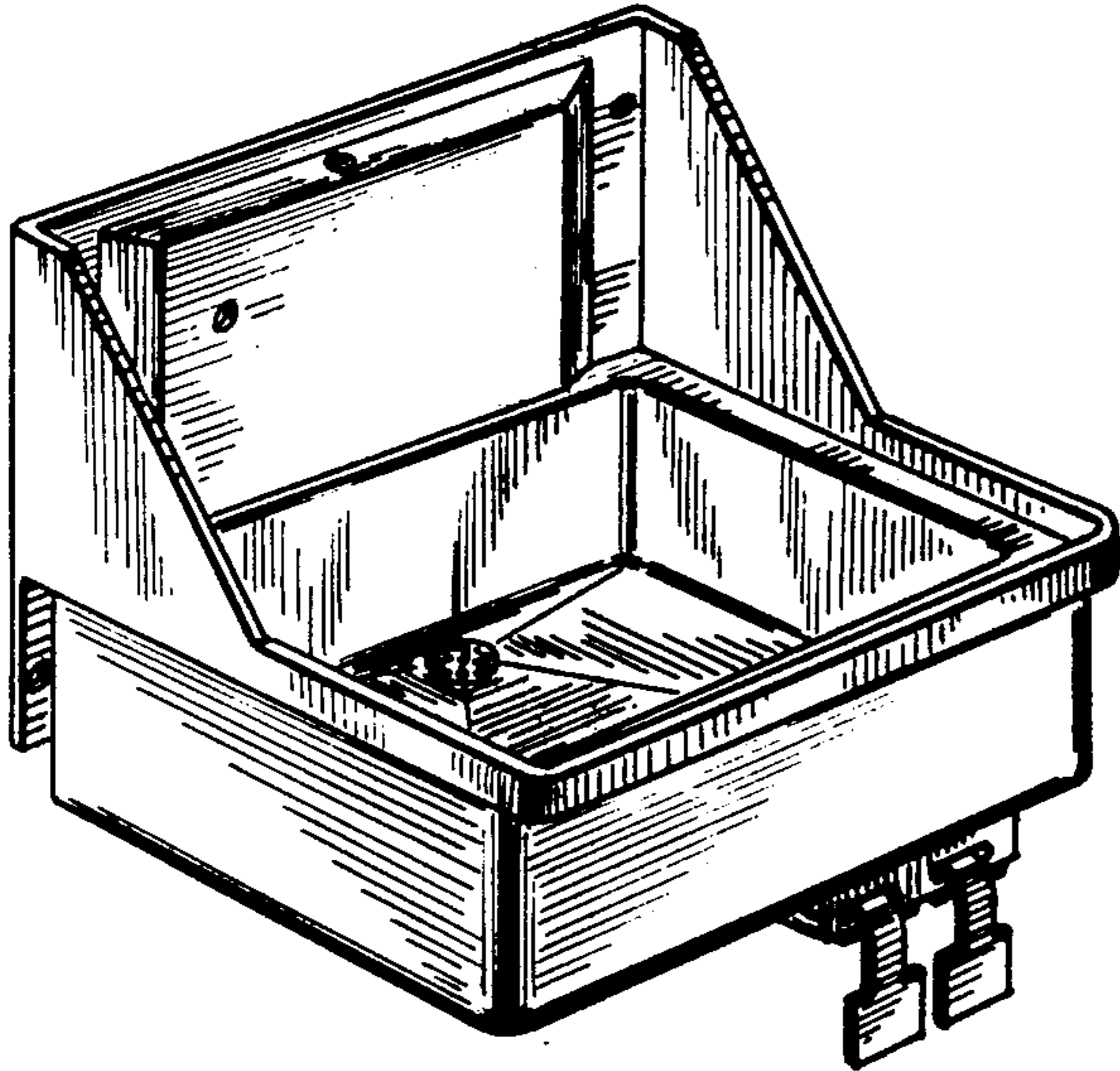
The ornamental design for a sink, substantially as shown.

**DESCRIPTION**

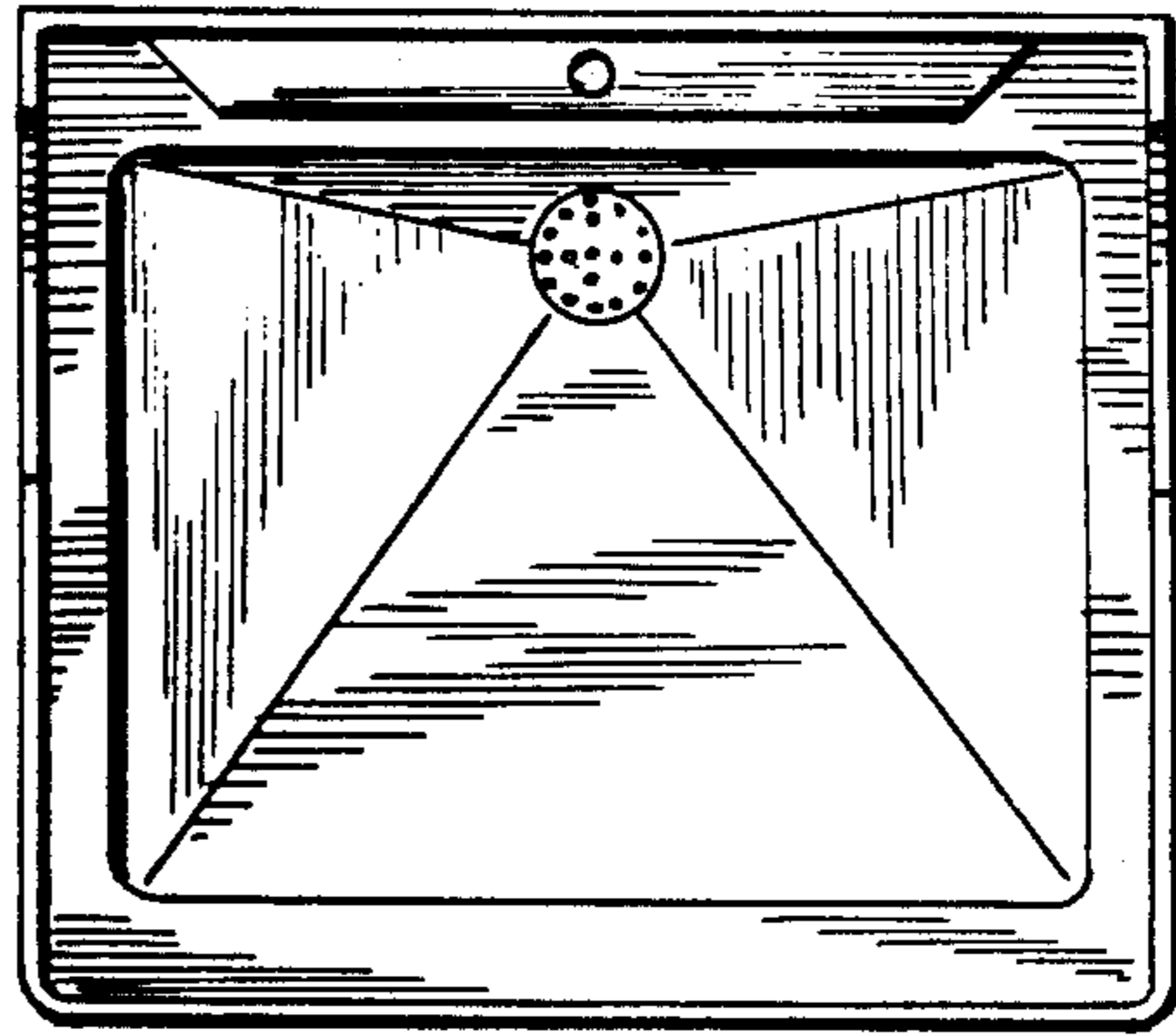
FIG. 1 is a perspective view taken from the top, front and left side of a sink showing my new design; FIG. 2 is a top plan view thereof; FIG. 3 is a bottom plan view thereof; FIG. 4 is a front elevational view thereof; FIG. 5 is a right side elevational view thereof; and FIG. 6 is a rear elevational view thereof.



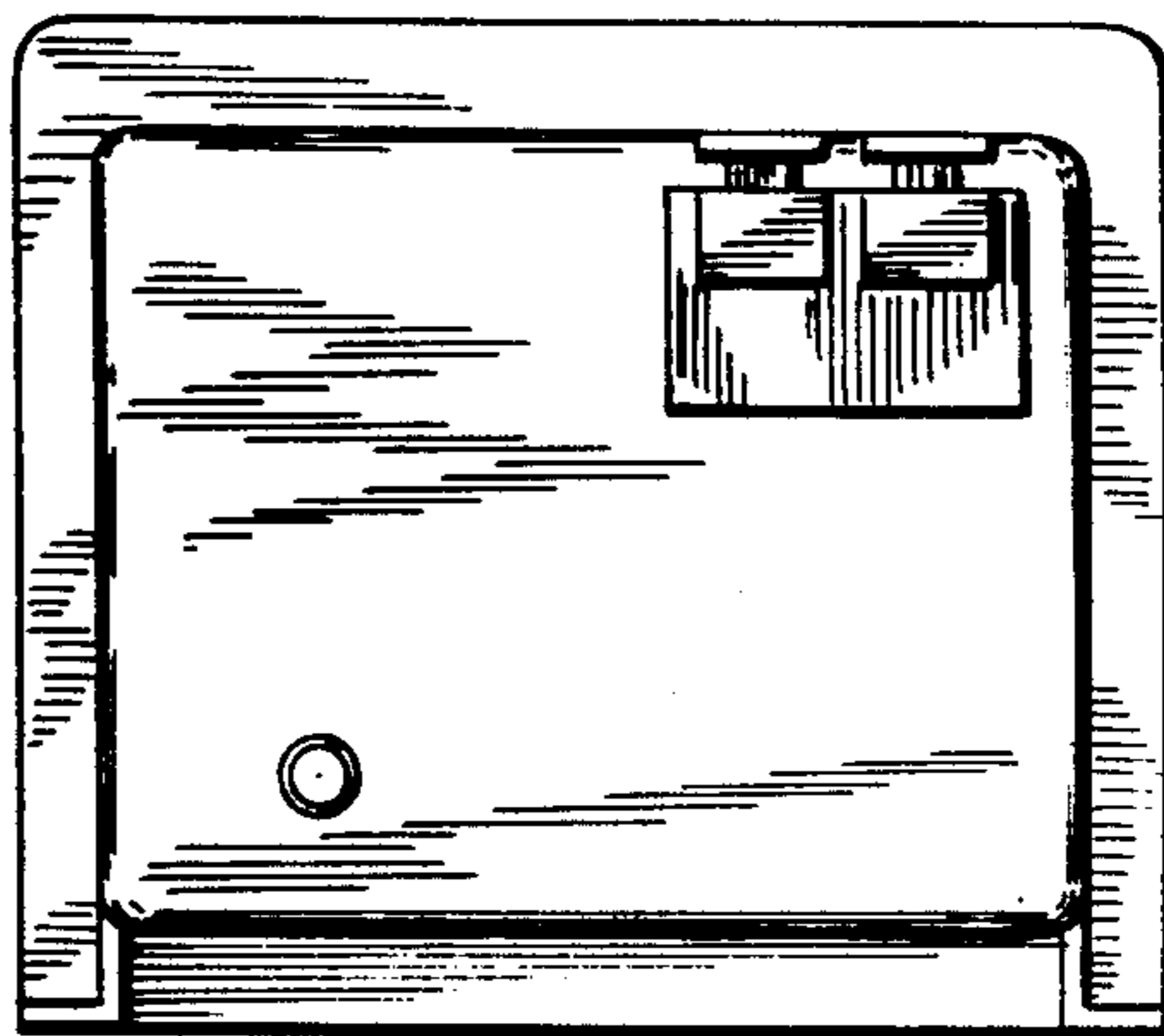
*Fig. 1*



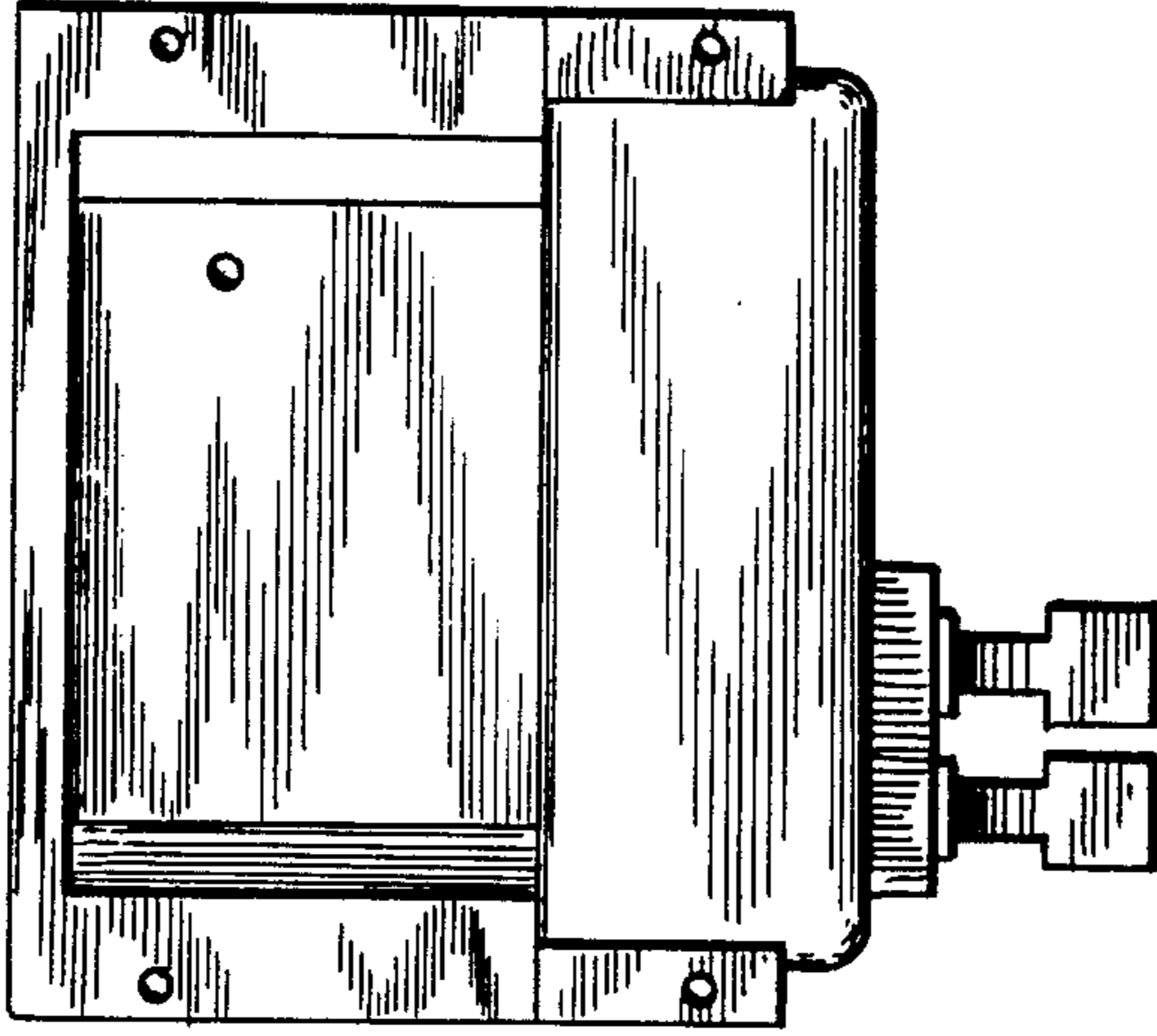
*Fig. 2.*



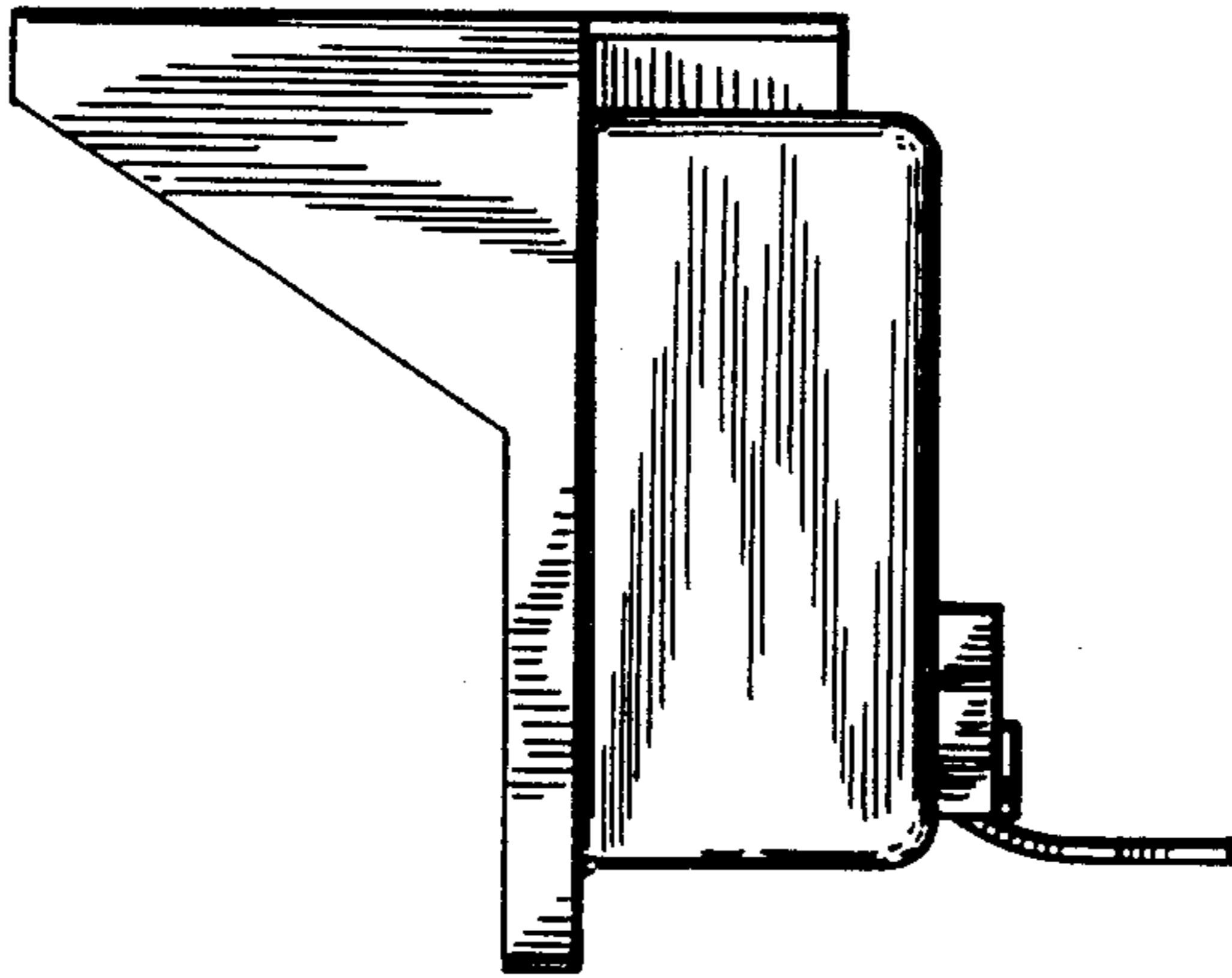
*Fig. 3.*



*Fig. 6.*



*Fig. 5.*



*Fig. 4.*

