

[54] FIGURINE WITH BLINKING EYE

[76] Inventor: Rocco J. Starniri, 1607 Ferry, Easton, Pa. 18042

[**] Term: 14 Years

[21] Appl. No.: 934,054

[22] Filed: Aug. 15, 1978

[51] Int. Cl. D21-01

[52] U.S. Cl. D21/168; D11/55

[58] Field of Search D21/168, 166; D11/55, D11/121, 125, 131, 133, 157, 160; D19/96, 97; 428/13, 15, 16

[56] References Cited

U.S. PATENT DOCUMENTS

D. 194,752 3/1963 Markham D21/166 X
4,035,630 7/1977 Burke D11/55 X

OTHER PUBLICATIONS

The Game Room, 10/31/75, p. 53—"Laid Egg" at top right.

Miles Kimbal Big Gift Catalog ©1973, p. 60—Paperweight at top left.

Miles Kimball Prospect Catalog ©1973, p. 54—"Nite Light" at bottom center.

Primary Examiner—Louis S. Zarfes

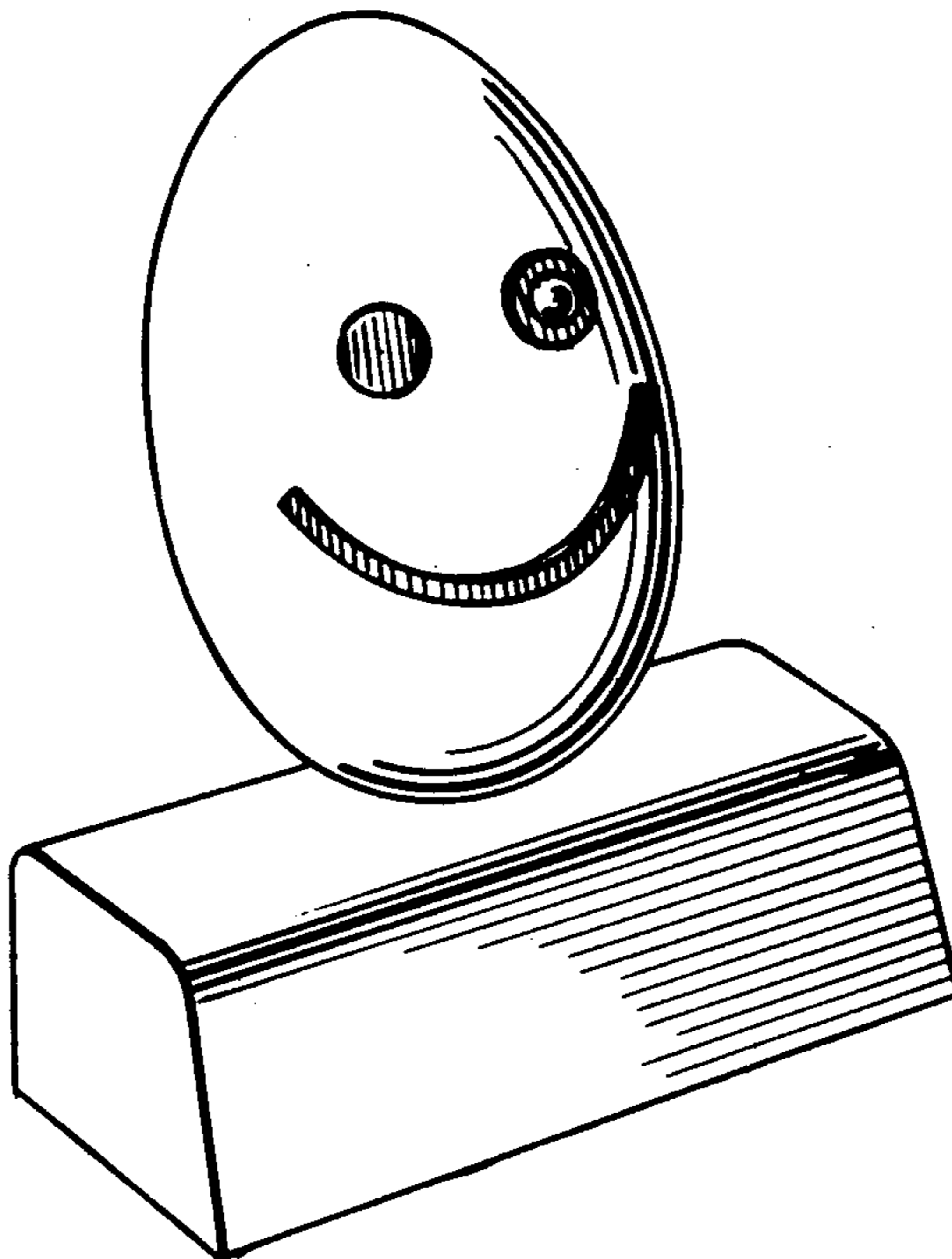
Attorney, Agent, or Firm—Harvey B. Jacobson

[57] CLAIM

The ornamental design for a figurine with blinking eye, as shown.

DESCRIPTION

FIG. 1 is a perspective view of a figurine with blinking eye showing my new design; FIG. 2 is a top plan view thereof; FIG. 3 is a right end view thereof; FIG. 4 is a rear elevational view thereof; and FIG. 5 is a bottom plan view thereof.



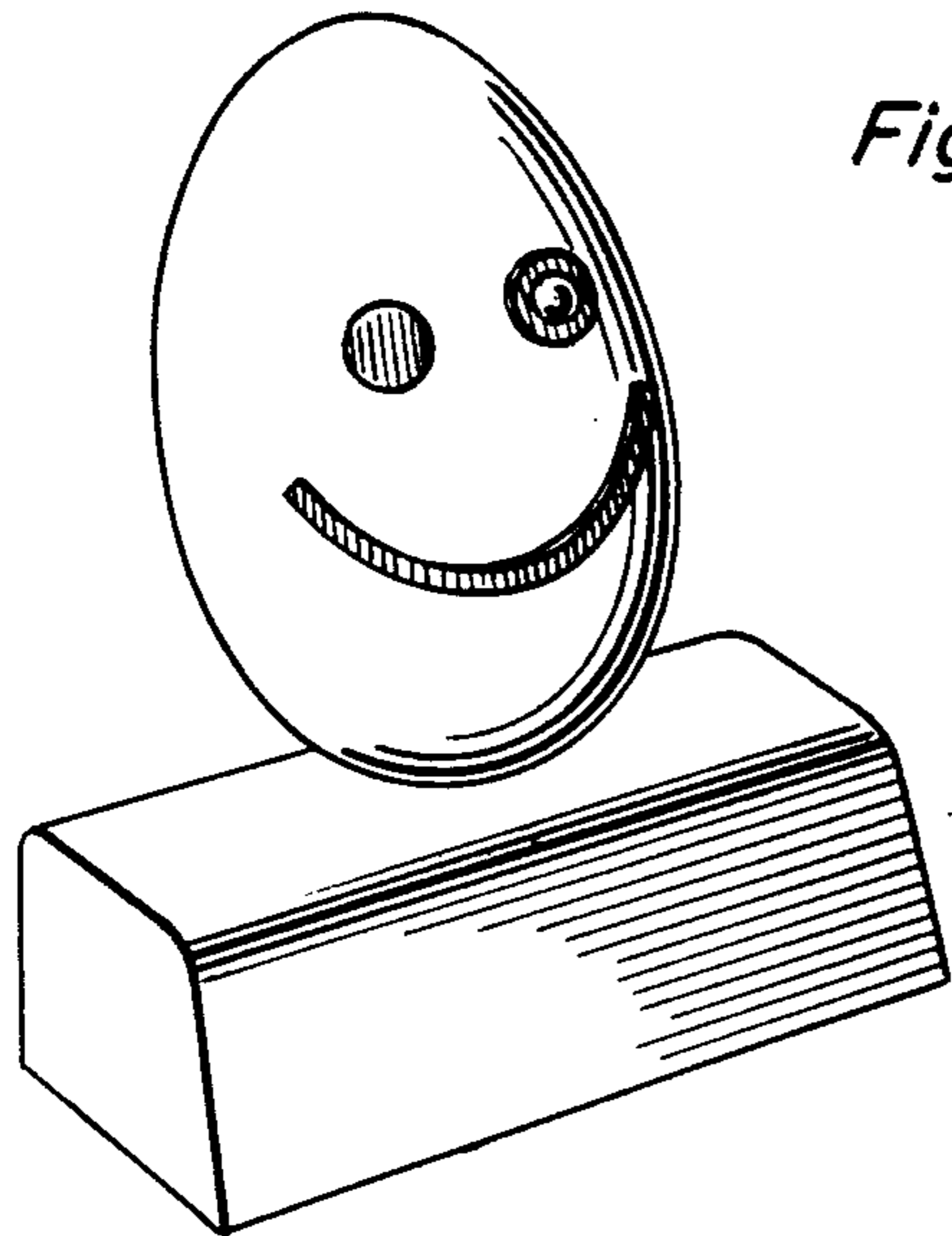


Fig. 1

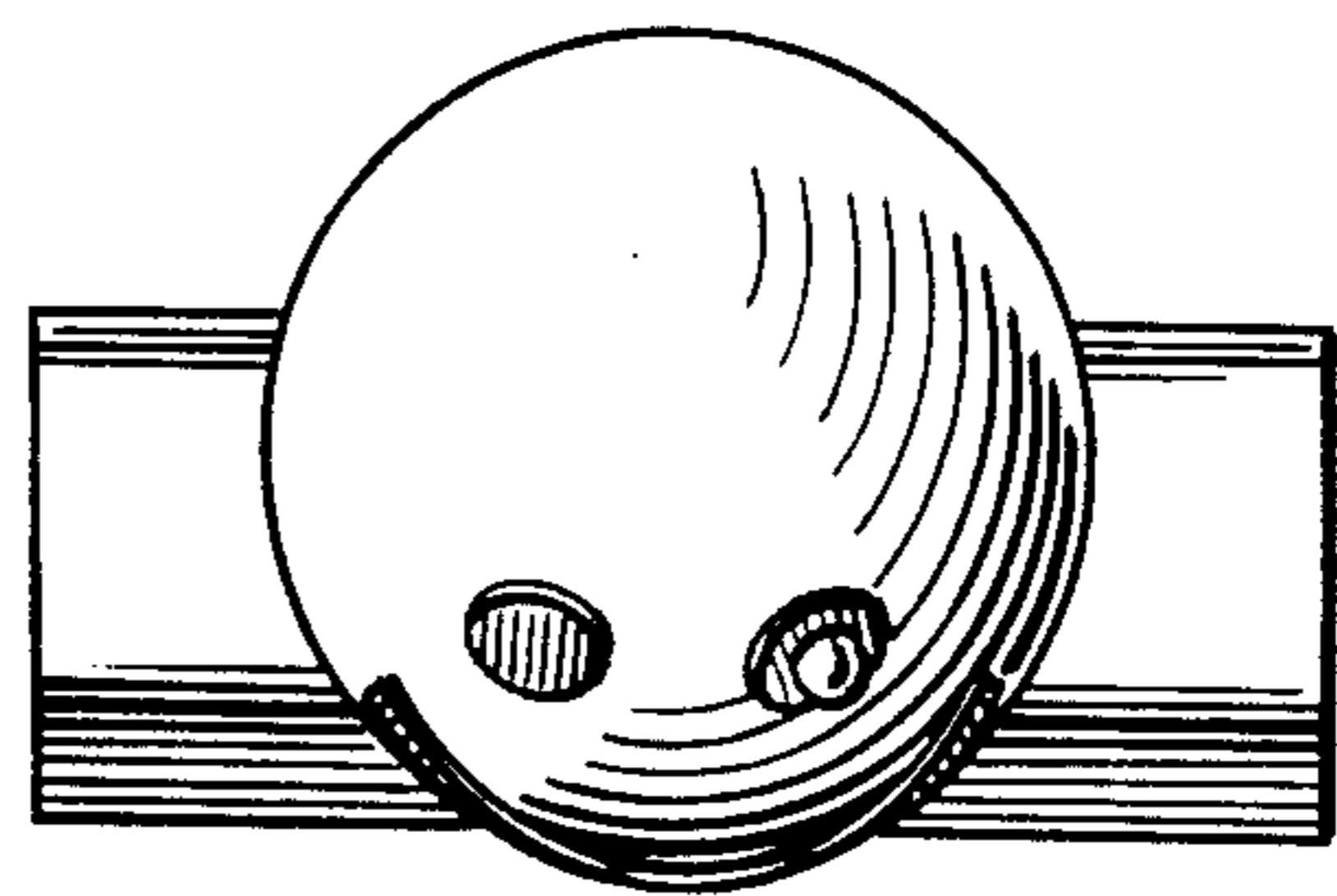


Fig. 2

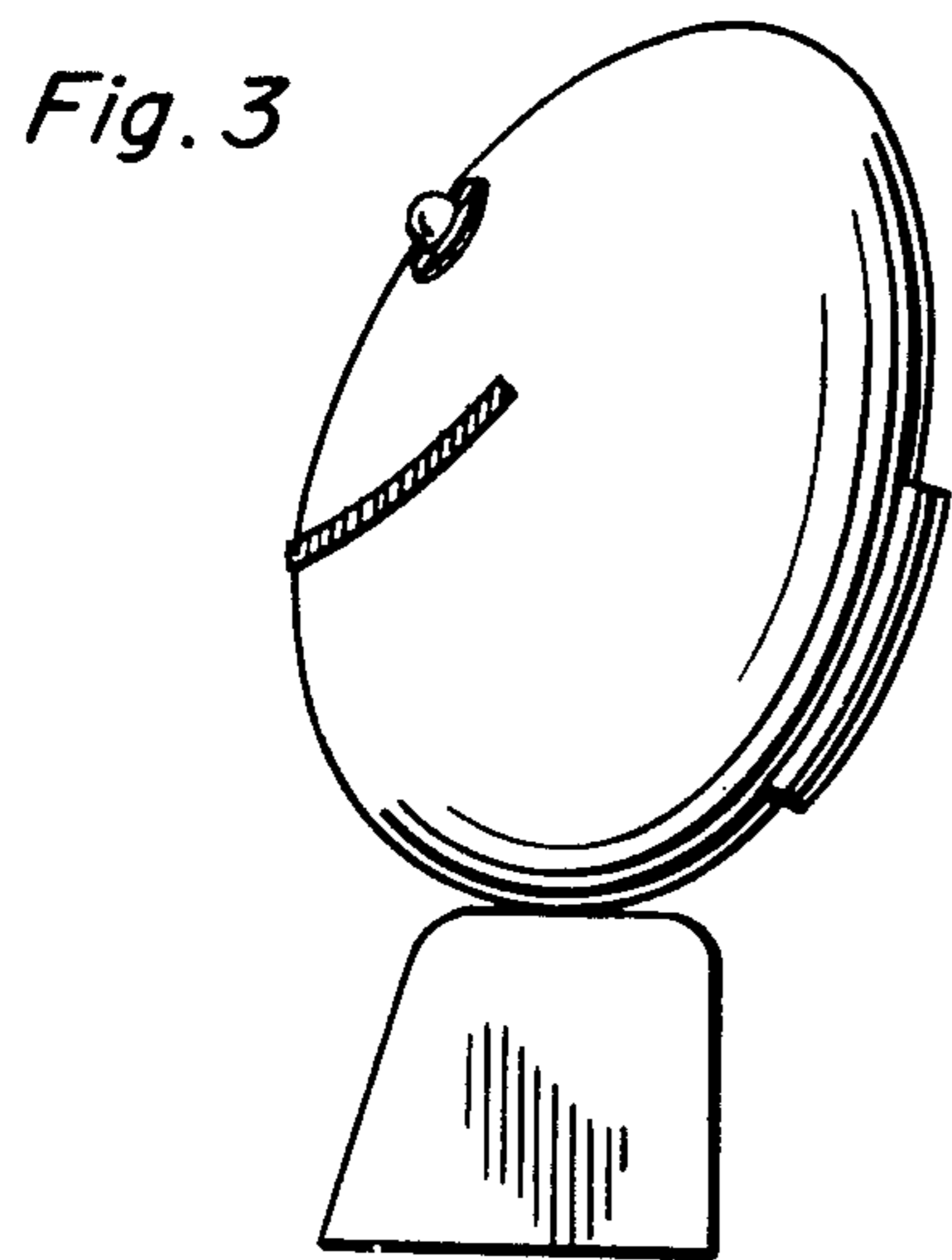


Fig. 3

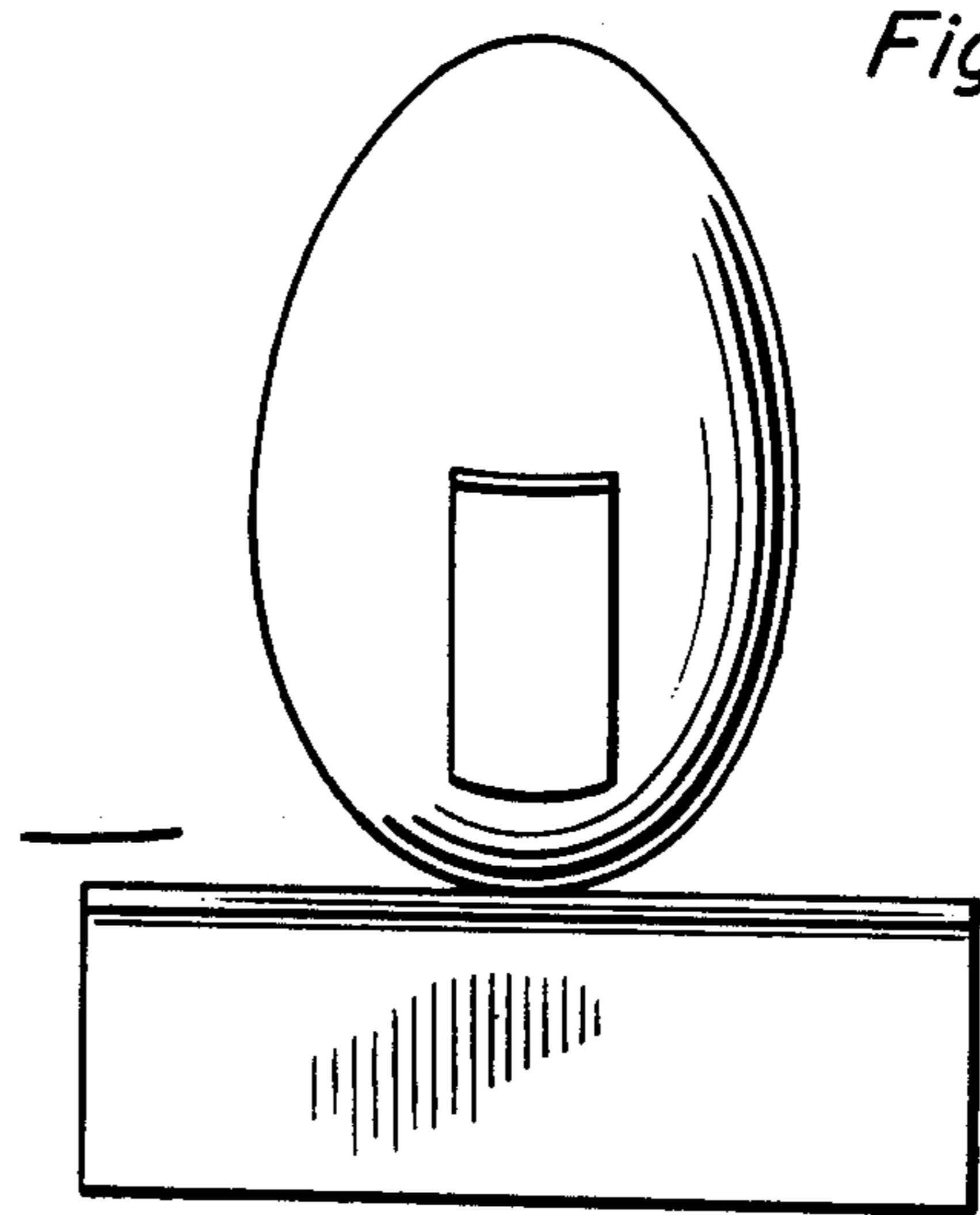


Fig. 4

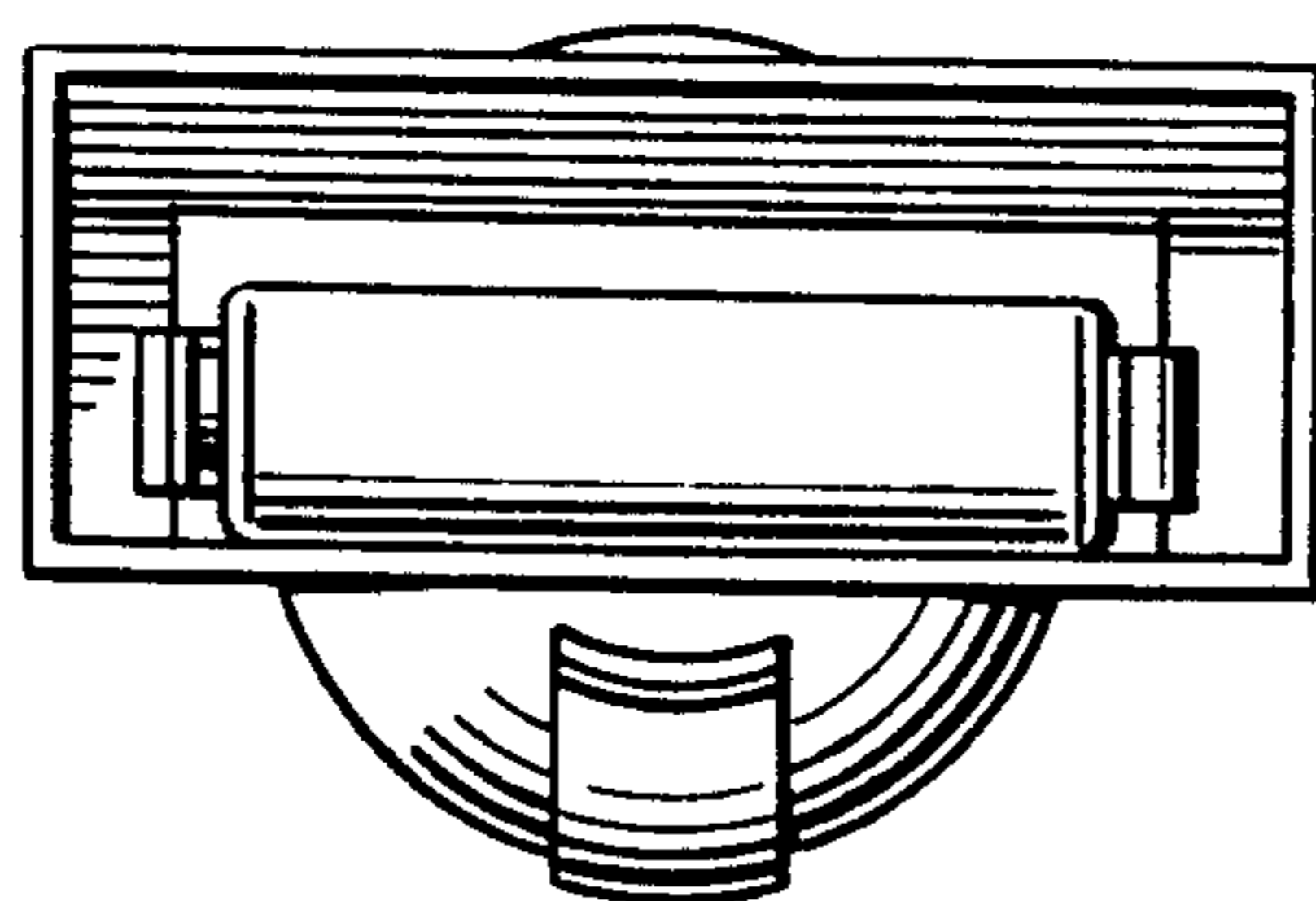


Fig. 5