

[54] TOY AIRPLANE

1,724,110 8/1929 Reid ..... D12/71

[76] Inventor: Michael G. Theodore, 11925 Leighwood Dr., Plymouth, Mich. 48170

OTHER PUBLICATIONS

Tree Top Toy Catalog, 1976, p. 9, "Biplane."

Primary Examiner—Charles A. Rademaker  
Attorney, Agent, or Firm—Ernest I. Gifford

[\*\*] Term: 7 Years

[21] Appl. No.: 896,973

[57] CLAIM

[22] Filed: Apr. 17, 1978

The ornamental design for a toy airplane, as shown and described.

[51] Int. Cl. .... D21-01

[52] U.S. Cl. .... D21/90

[58] Field of Search ..... D21/87, 88, 89, 90, D21/91; 46/74, 76 R, 76 A, 77, 78, 79, 80, 81; D12/71, 73; 244/153 R, 154, 155 R

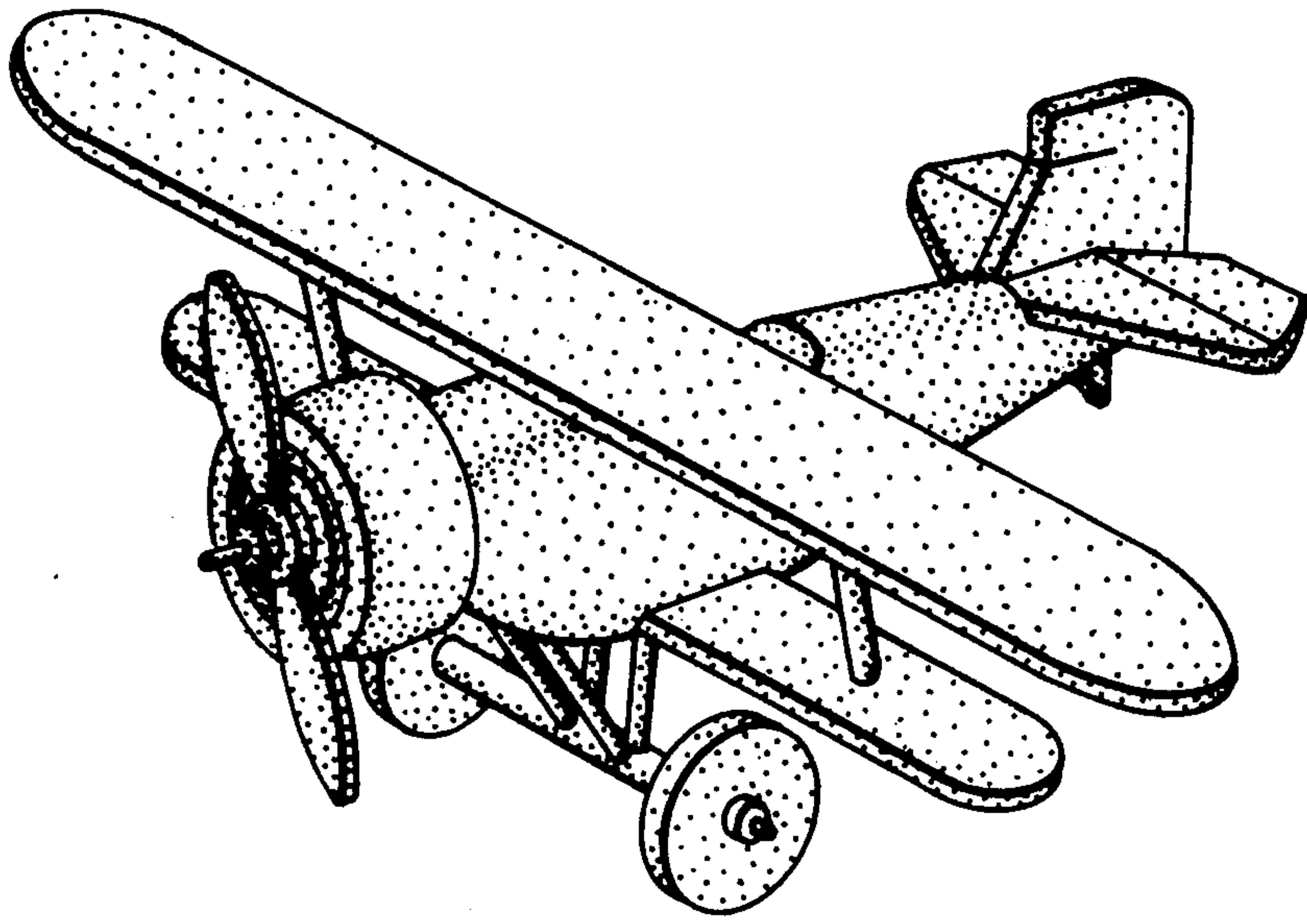
DESCRIPTION

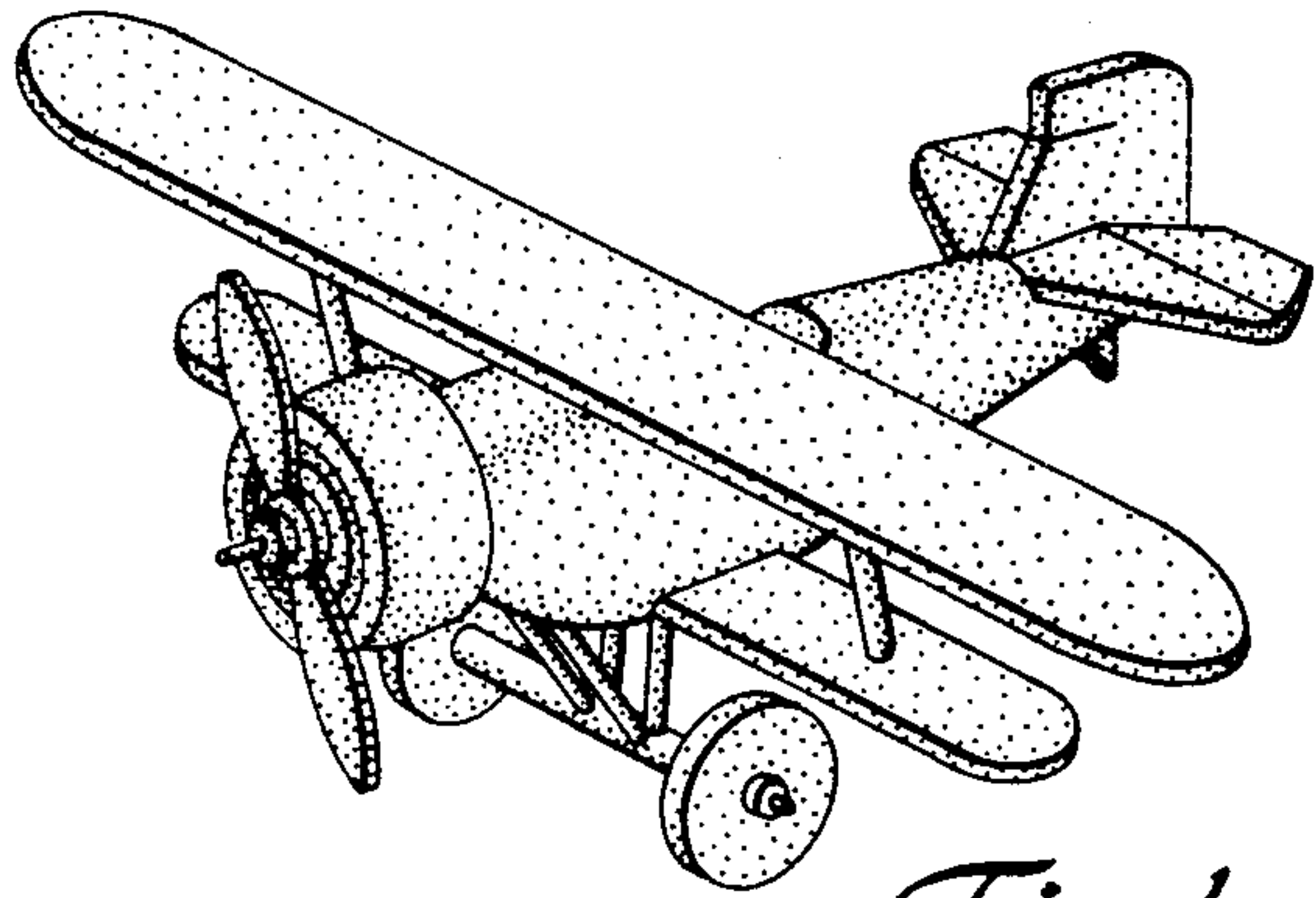
FIG. 1 is a perspective view of a toy airplane showing my new design;  
FIG. 2 is a top plan view thereof;  
FIG. 3 is a bottom plan view thereof;  
FIG. 4 is a right side elevational view thereof, the side opposite being substantially a mirror image;  
FIG. 5 is a front elevational view thereof; and,  
FIG. 6 is a rear elevational view thereof.

[56] References Cited

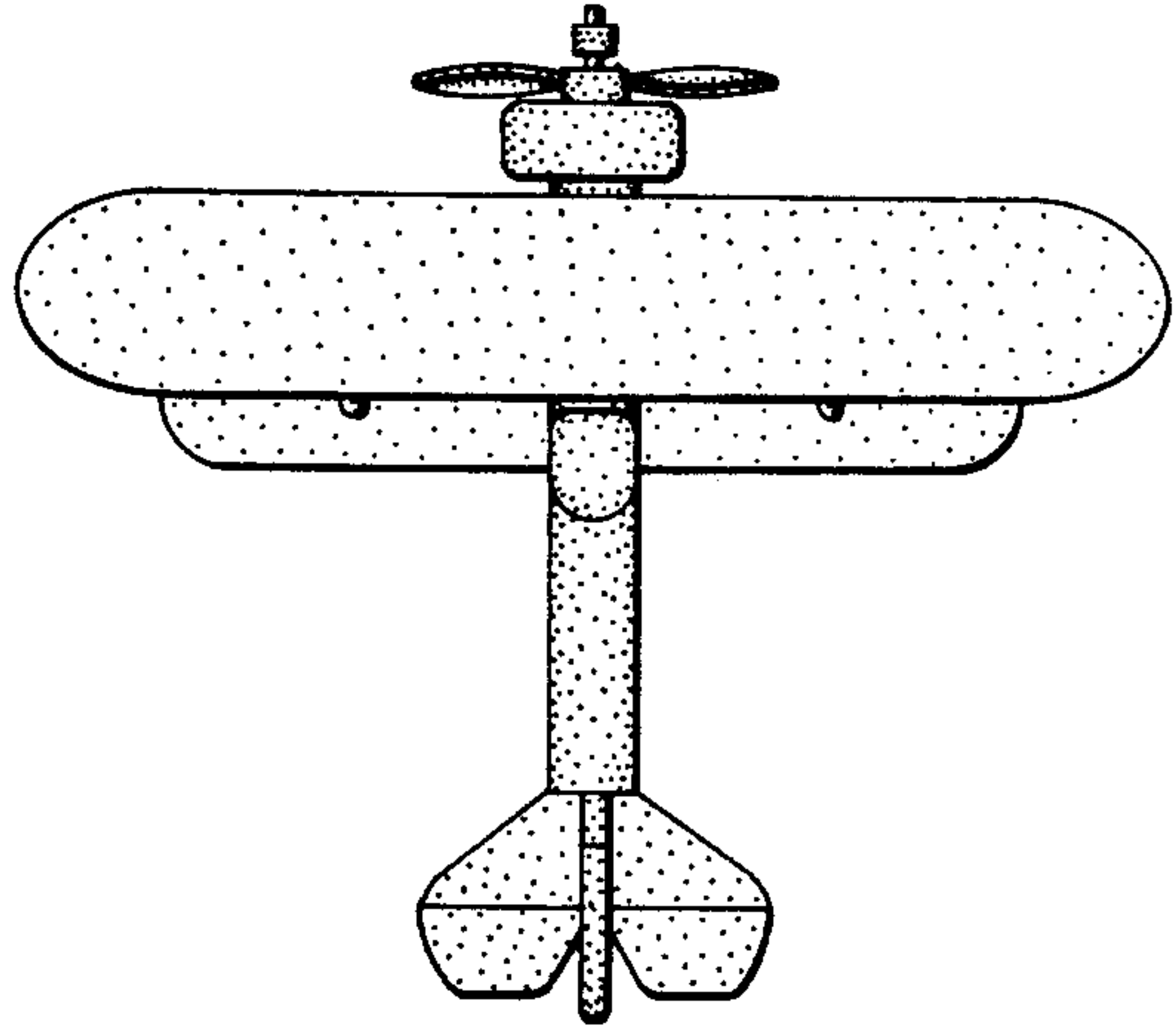
U.S. PATENT DOCUMENTS

D. 250,726 1/1979 Venditti ..... D21/89  
1,322,225 11/1919 Bradbury ..... 46/78

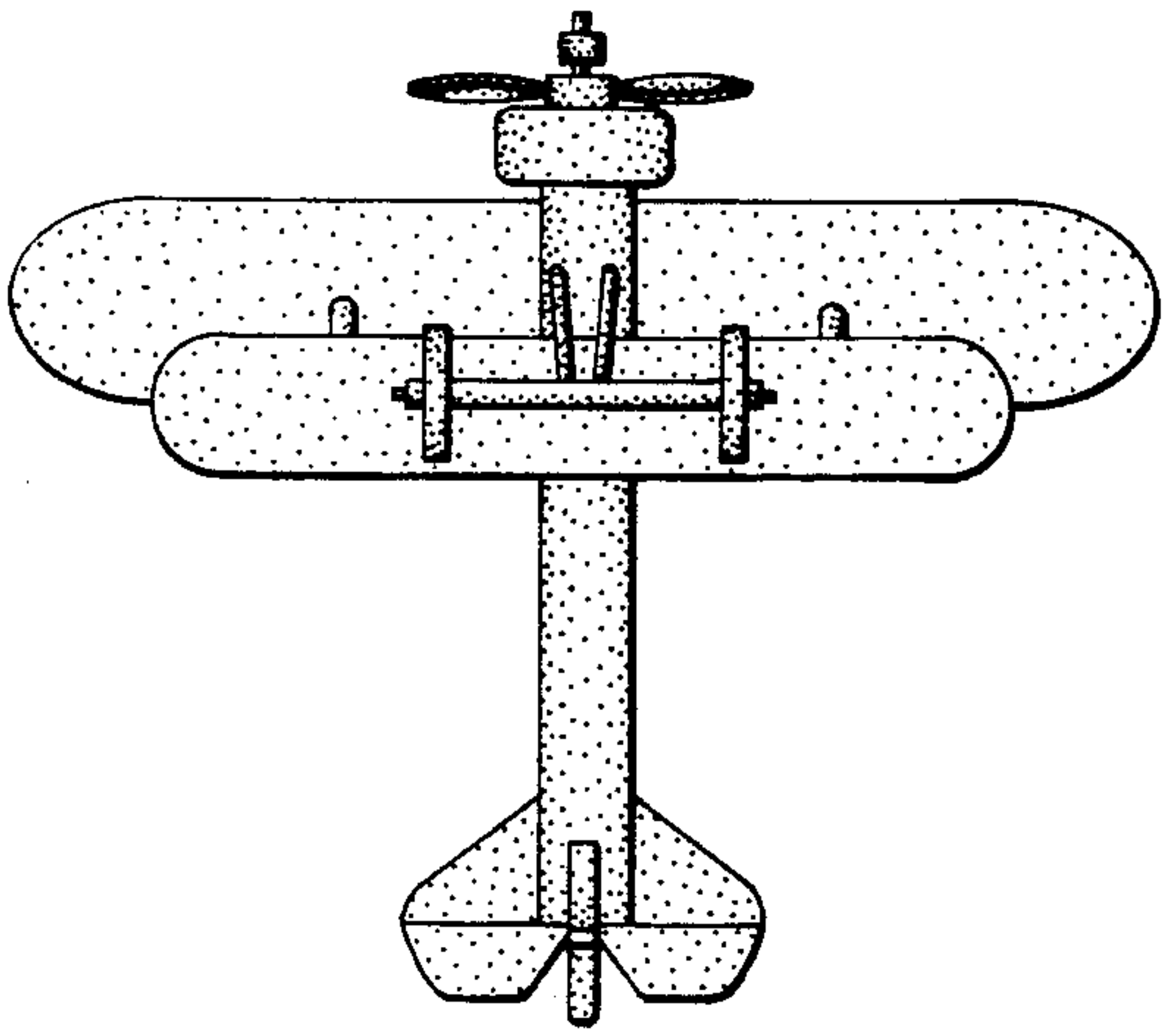




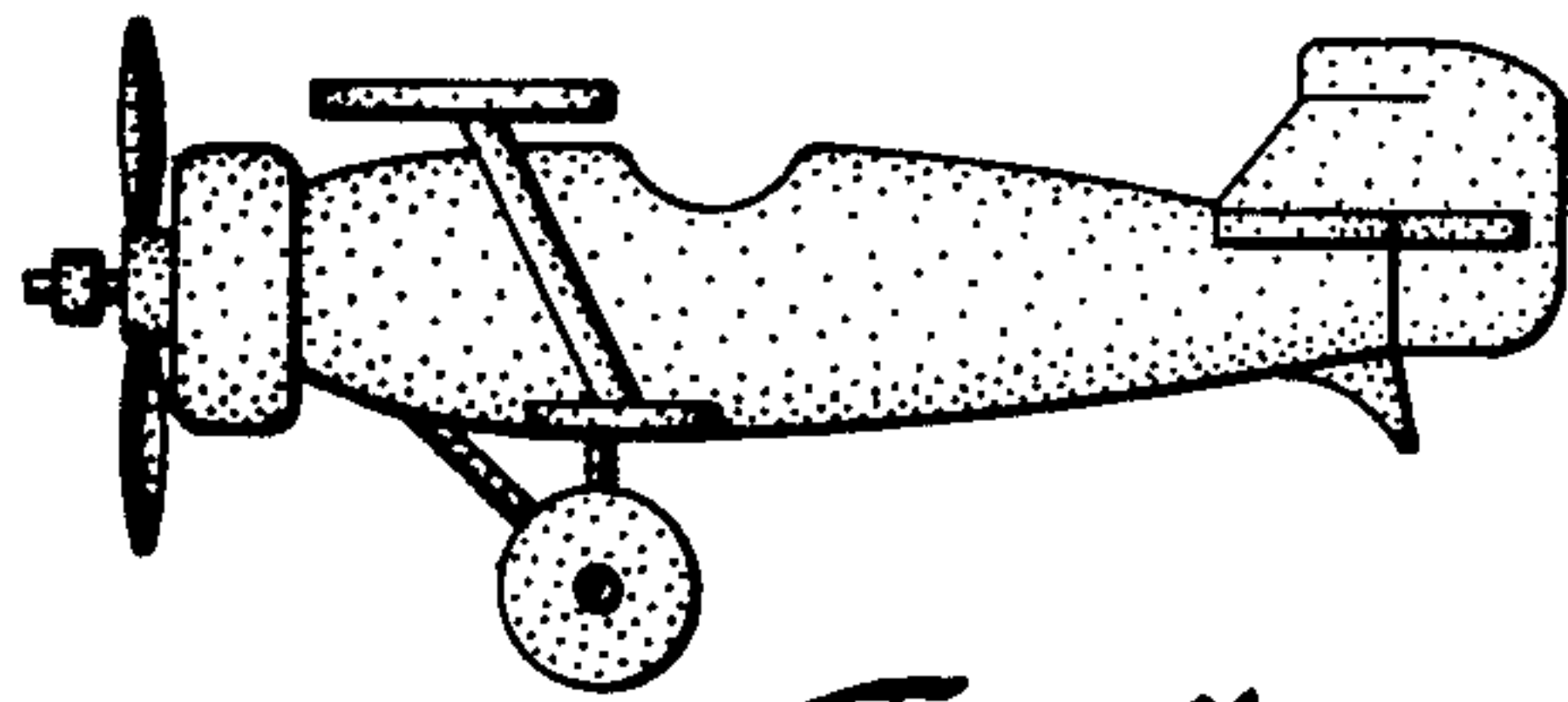
*Fig. 1*



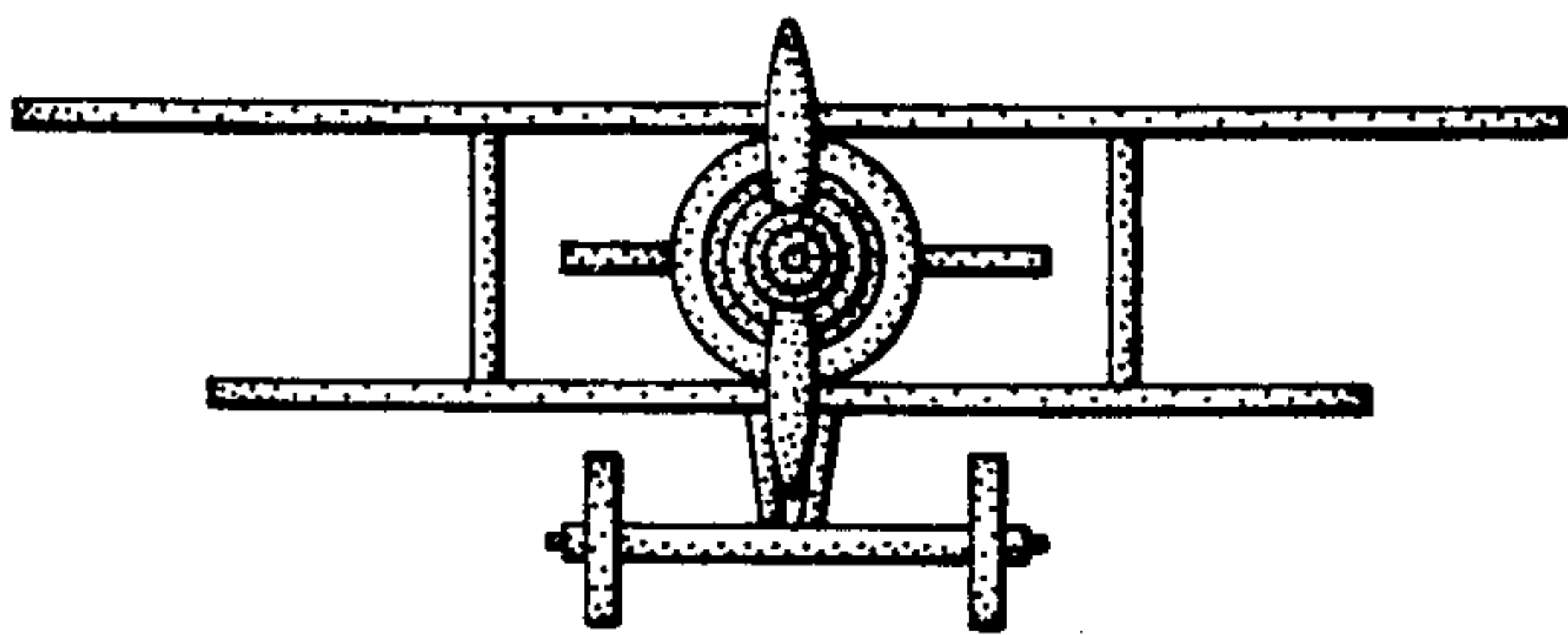
*Fig. 2*



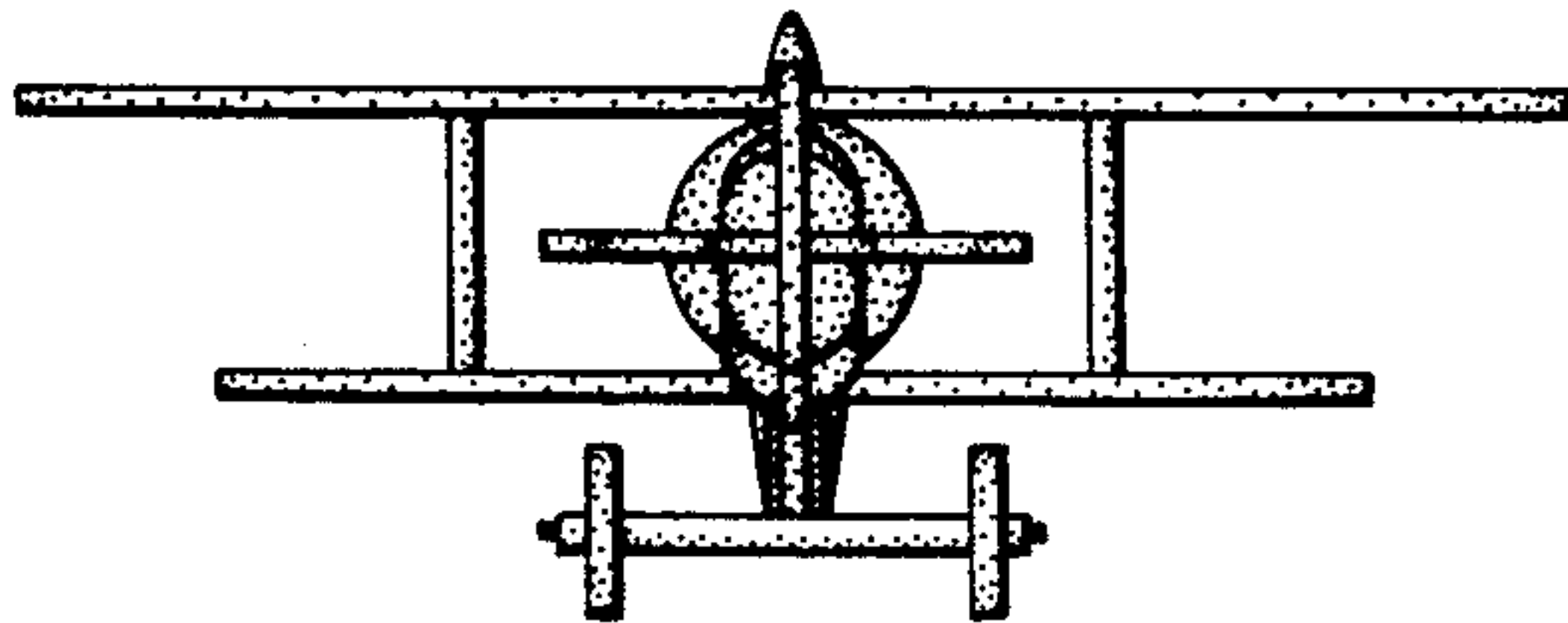
*Fig. 3*



*Fig. 4*



*Fig. 5*



*Fig. 6*