

[54] **GUIDE RAIL**

[75] **Inventor:** H. Edward Cable, Pittsburgh, Pa.

[73] **Assignee:** Weld Tooling Corporation,
Pittsburgh, Pa.

[**] **Term:** 14 Years

[21] **Appl. No.:** 849,842

[22] **Filed:** Nov. 9, 1977

[51] **Int. Cl.** D15-09
[52] **U.S. Cl.** D15/139; D15/138;
D25/74; 72/428; 83/743; 83/821

[58] **Field of Search** D15/138, 139; D6/191;
D25/73, 74, 79, 76; 72/428; 83/821, 743, 745;
266/56, 69, 60

[56] **References Cited**

U.S. PATENT DOCUMENTS

2,389,585 11/1945 Anderson 266/69
4,121,808 10/1978 Cardea 266/69

Primary Examiner—Sam Rosen
Attorney, Agent, or Firm—Eugene F. Buell

[57] **CLAIM**

The ornamental design for a guide rail, as shown.

DESCRIPTION

FIG. 1 is a perspective view of the guide rail, with the broken-away portion showing indeterminate length; FIG. 2 is an end elevation view thereof.

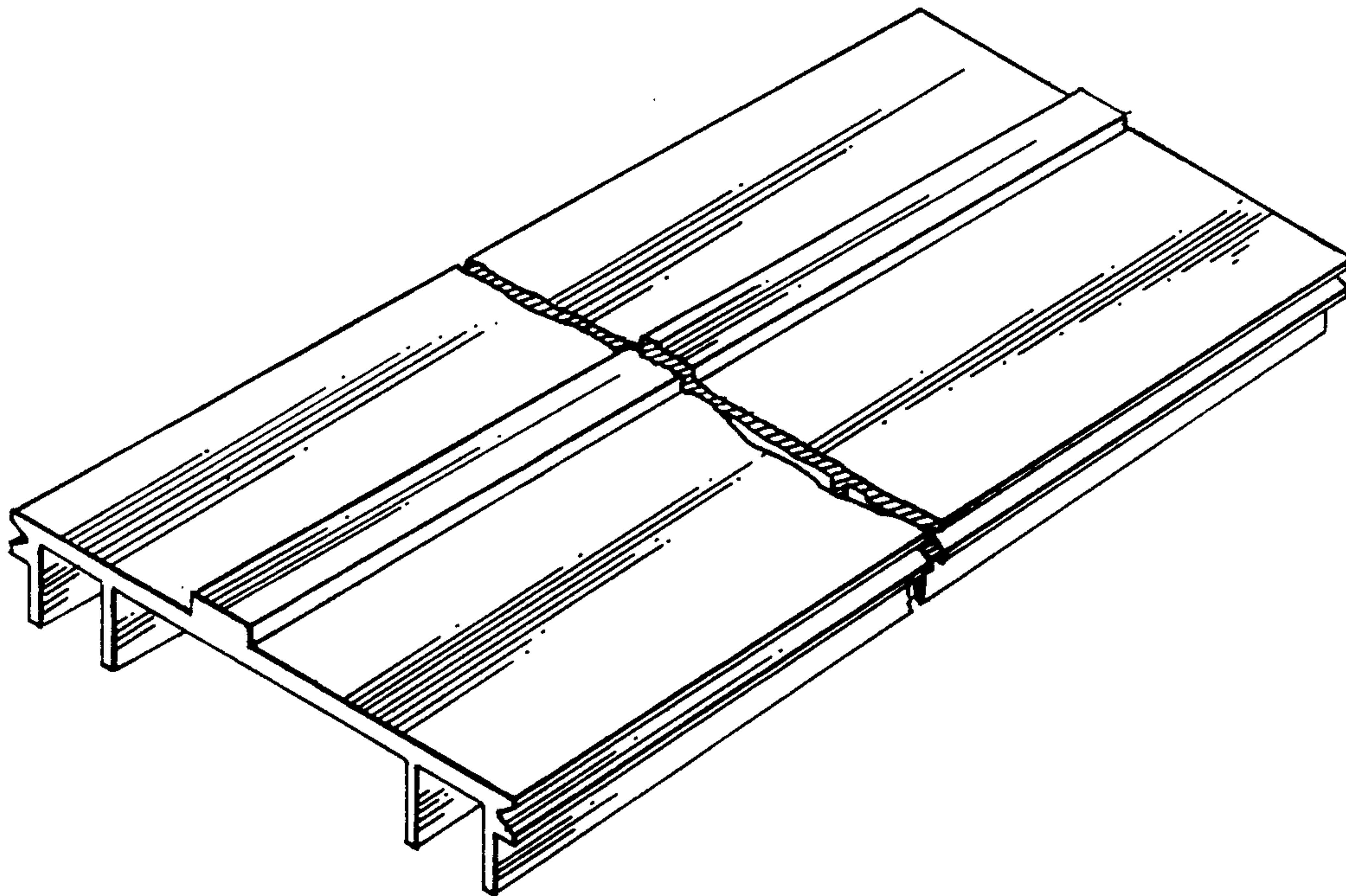


Fig. 1.

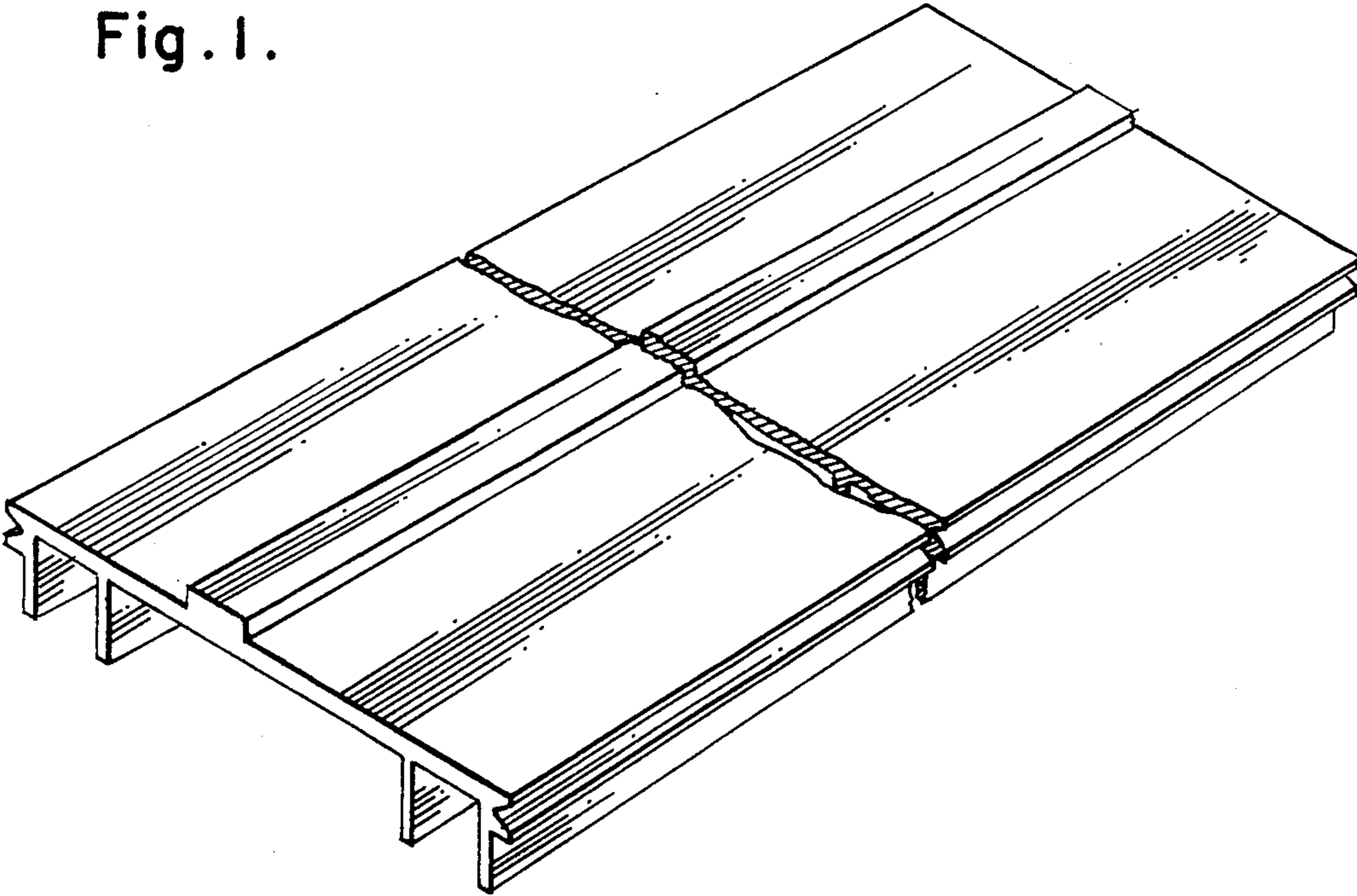


Fig. 2.

