

[54] MOTOR VEHICULAR CITIZENS' BAND TRANSCEIVER

[75] Inventors: Kikuo Ohta; Toshio Igo, both of Katano; Satoru Usami, Hirakata, all of Japan

[73] Assignee: Matsushita Electric Industrial Co., Ltd., Kadoma, Japan

[**] Term: 14 Years

[21] Appl. No.: 817,292

[22] Filed: Jul. 20, 1977

[30] Foreign Application Priority Data
Jan. 20, 1977 [JP] Japan 52-1484

[51] Int. Cl. D14-03
[52] U.S. Cl. D14/68; D14/7
[58] Field of Search D14/1, 2, 5-7, D14/52, 68-73, 75, 76, 79, 84, 85, 96, 99, 95

[56] References Cited
U.S. PATENT DOCUMENTS

D. 224,544 8/1972 Nishimura D14/7
D. 241,069 8/1976 Sandberg D14/68
D. 246,900 1/1978 Yasuoka D14/5 X

OTHER PUBLICATIONS

Home Furnishings Daily, 1-13-77, Sanyo Supplement, p. "5", Item #FT870.

Retailing Home Furnishings, 6/5-6/77, Section 3, p. 4, Item # "CQ-6700".

Primary Examiner—Joel Stearman
Assistant Examiner—Jane E. Corrigan
Attorney, Agent, or Firm—Sughrue, Rothwell, Mion, Zinn and Macpeak

[57] CLAIM

The ornamental design for a motor vehicular citizens' band transceiver.

DESCRIPTION

FIG. 1 is a front, top and right side perspective view of a motor vehicular citizens' band transceiver showing our new design;
FIG. 2 is a rear, bottom and left side perspective view; and
FIG. 3 is a top plan view thereof.

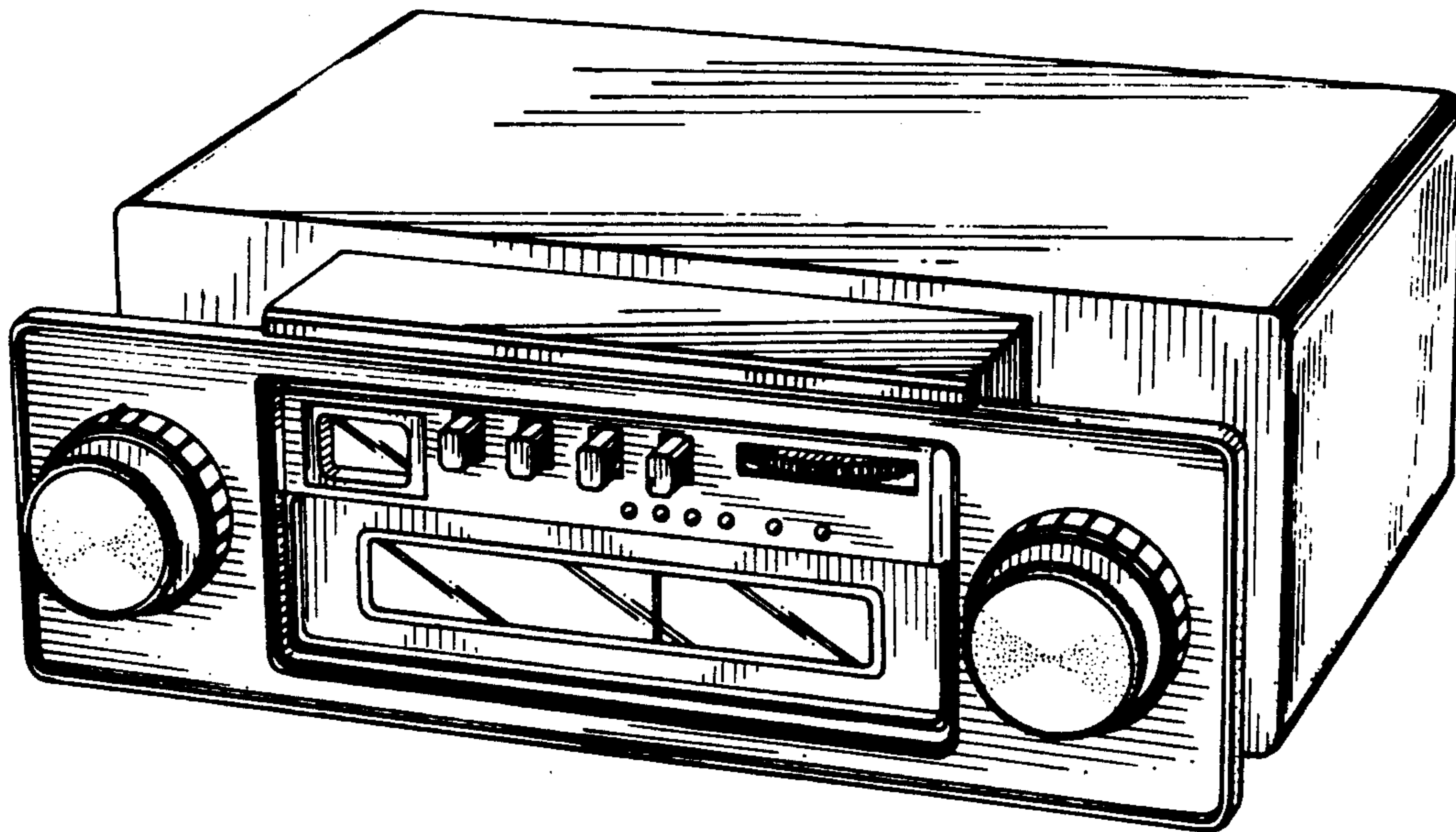


FIG. 1

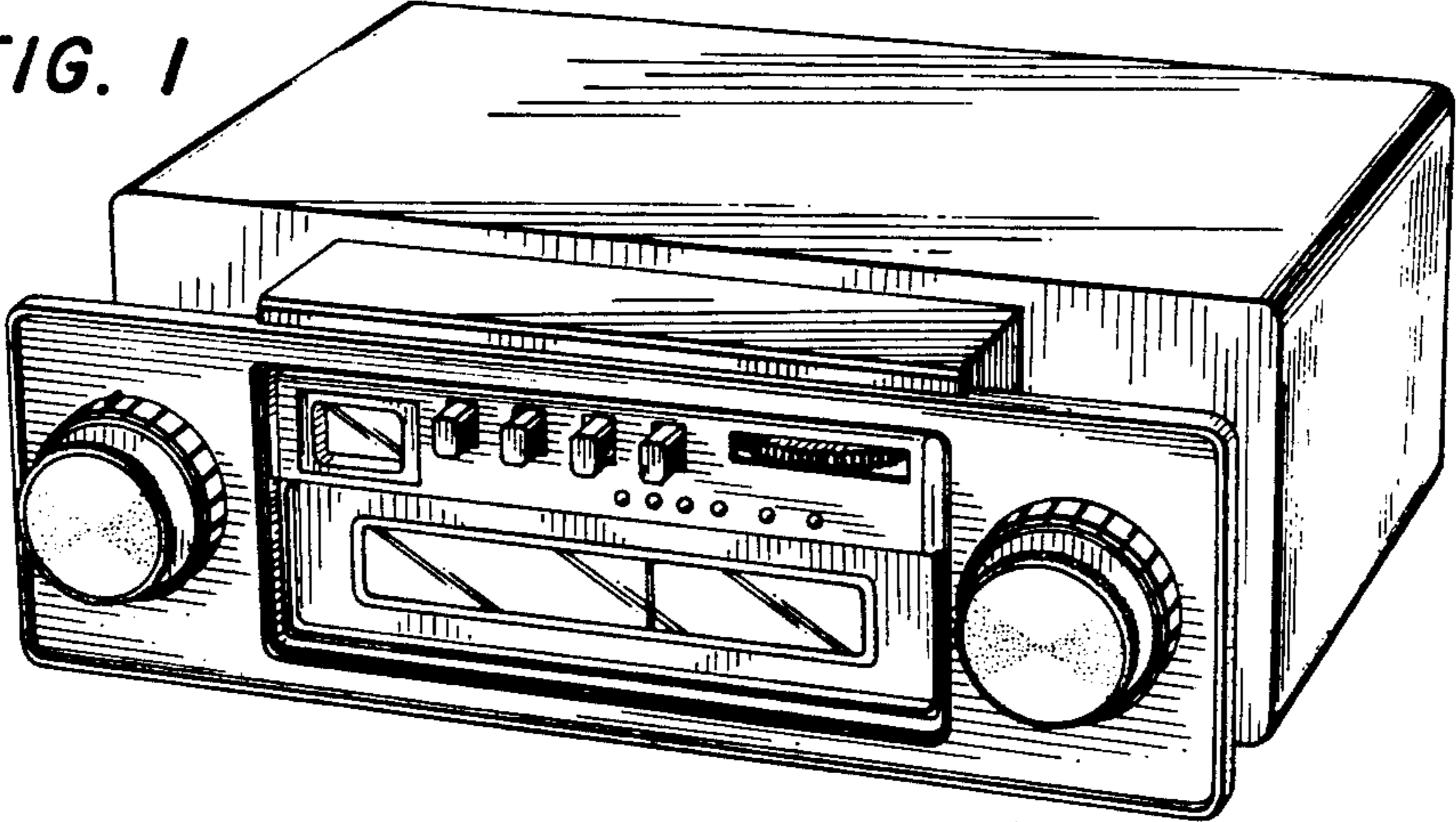


FIG. 2

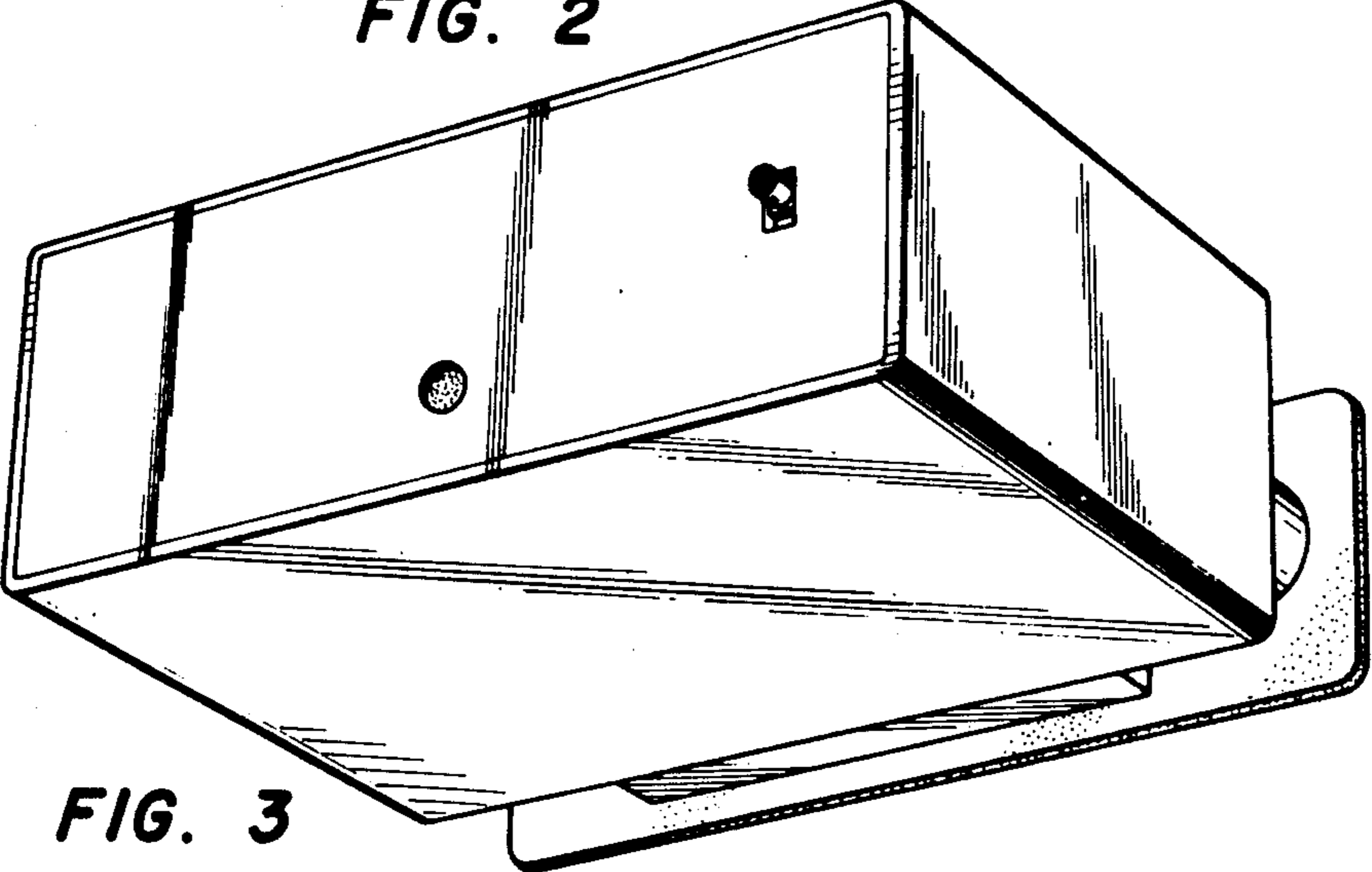


FIG. 3

