

[54] **BATTEN POCKET PROTECTOR**

[76] **Inventor:** John Fehlberg, 139 Simmat Ave.,
Bankstown, New South Wales, 2200,
Australia

[**] **Term:** 14 Years

[21] **Appl. No.:** 899,836

[22] **Filed:** Apr. 25, 1978

[30] **Foreign Application Priority Data**

Nov. 1, 1977 [AU] Australia 73231

[51] **Int. Cl.** D12-06

[52] **U.S. Cl.** D12/70; 114/102,
114/103

[58] **Field of Search** 114/102, 103, 108;
D12/64, 70; D8/386, 382; D2/427, 442

[56] **References Cited**

U.S. PATENT DOCUMENTS

2,831,447	4/1958	Hanna	114/102
3,385,157	5/1968	Rapata	D8/386
3,444,834	5/1969	Bever et al.	114/102
3,581,698	6/1971	Bete	114/102

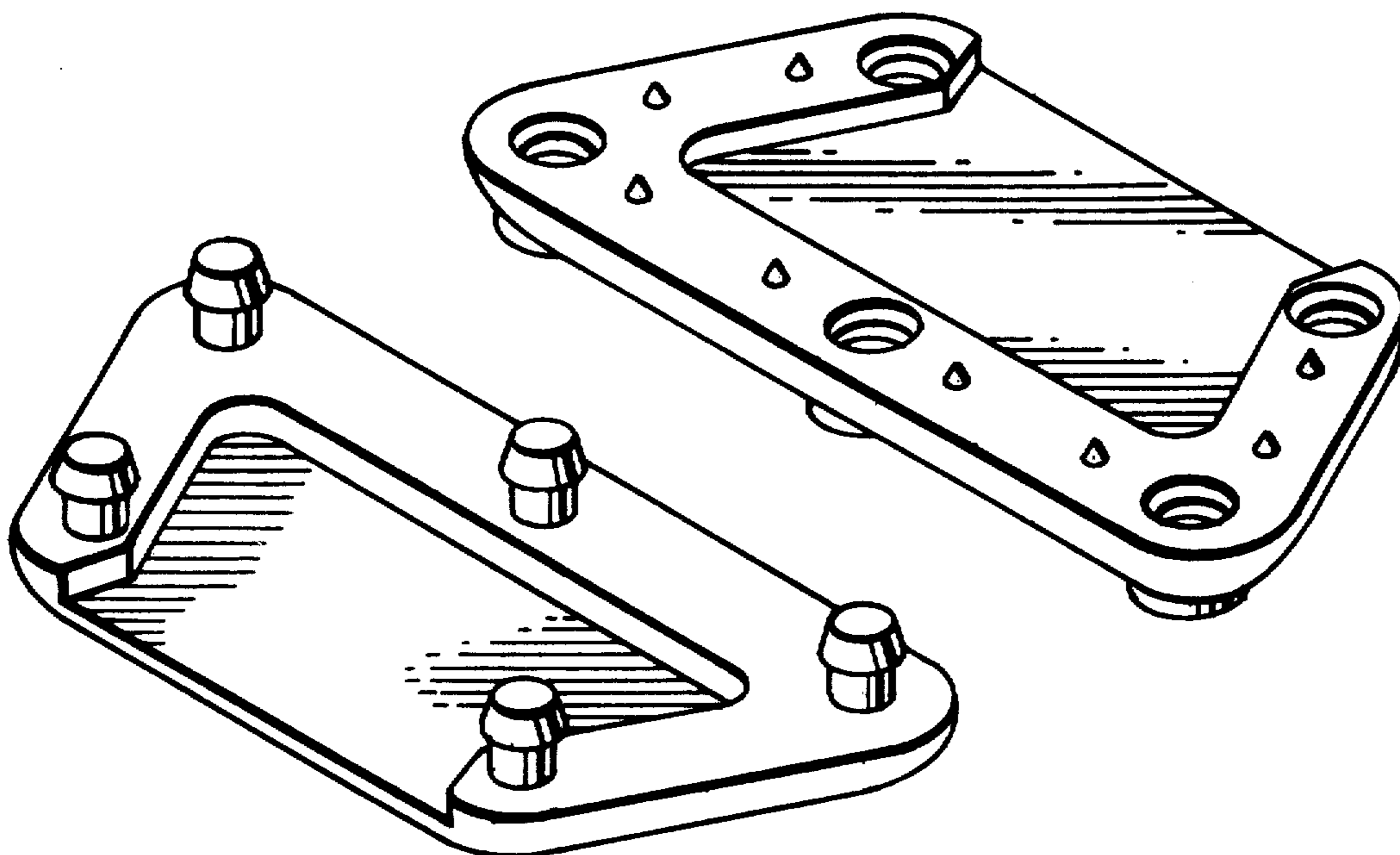
Primary Examiner—Sam Rosen
Attorney, Agent, or Firm—Davidson C. Miller

[57] **CLAIM**

The ornamental design for batten pocket protector, as shown.

DESCRIPTION

FIG. 1 is an exploded perspective view of the two unassembled halves of my batten pocket protector; FIG. 2 is a top plan view thereof; FIG. 3 is a bottom plan view thereof; FIG. 4 is a rear elevational view thereof; FIG. 5 is a front elevational view thereof; and FIG. 6 is a side elevational view thereof.



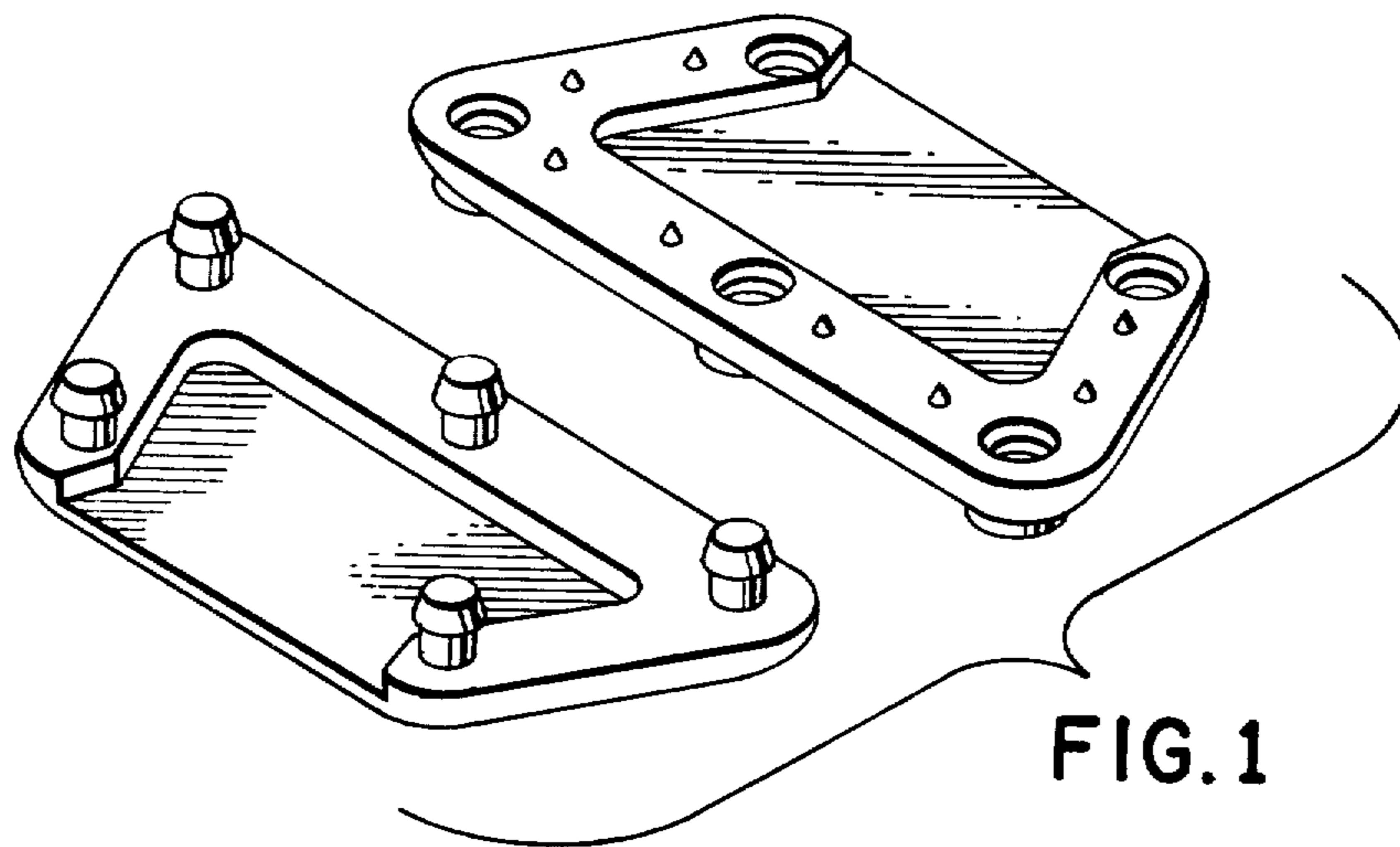


FIG. 1

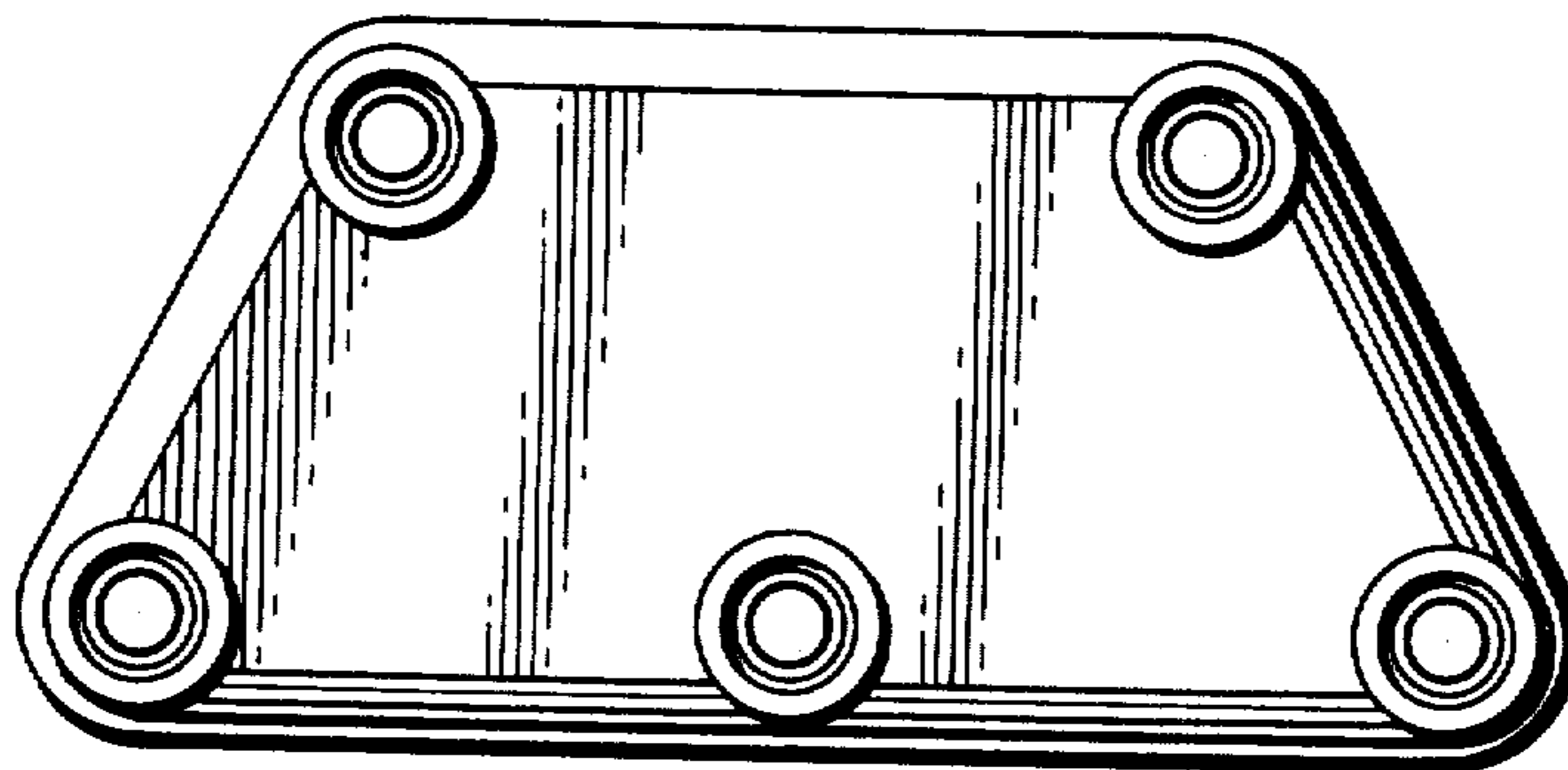


FIG. 2

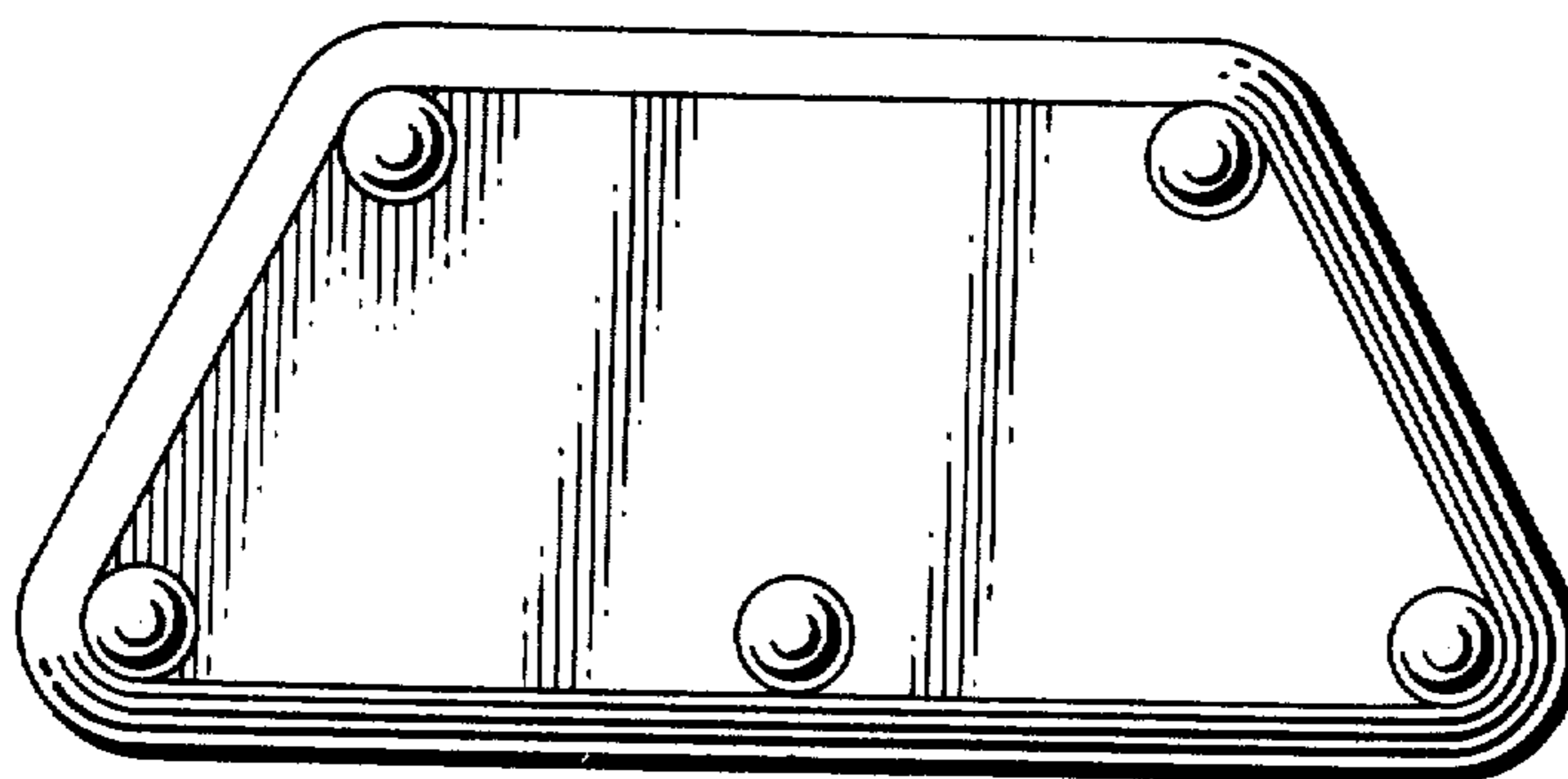


FIG. 3

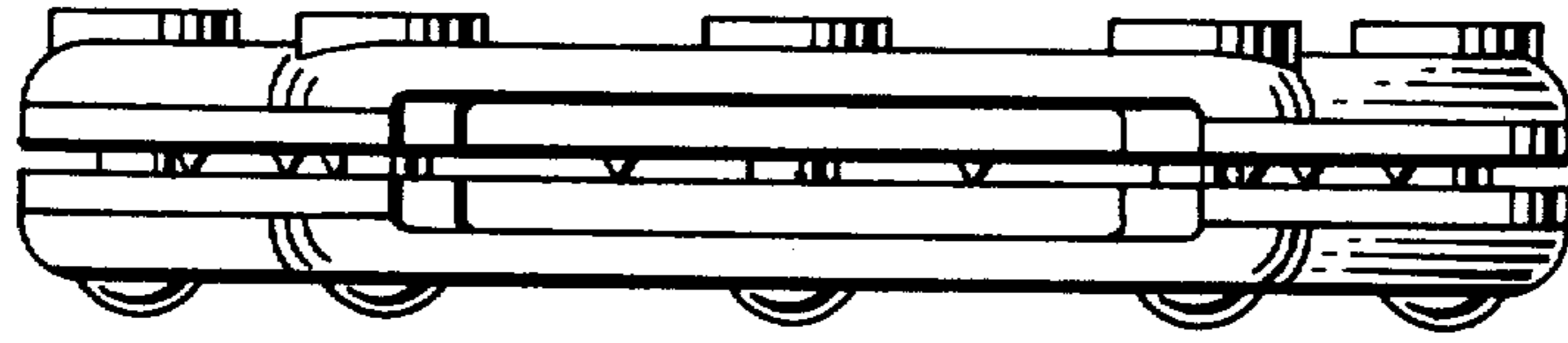


FIG. 4

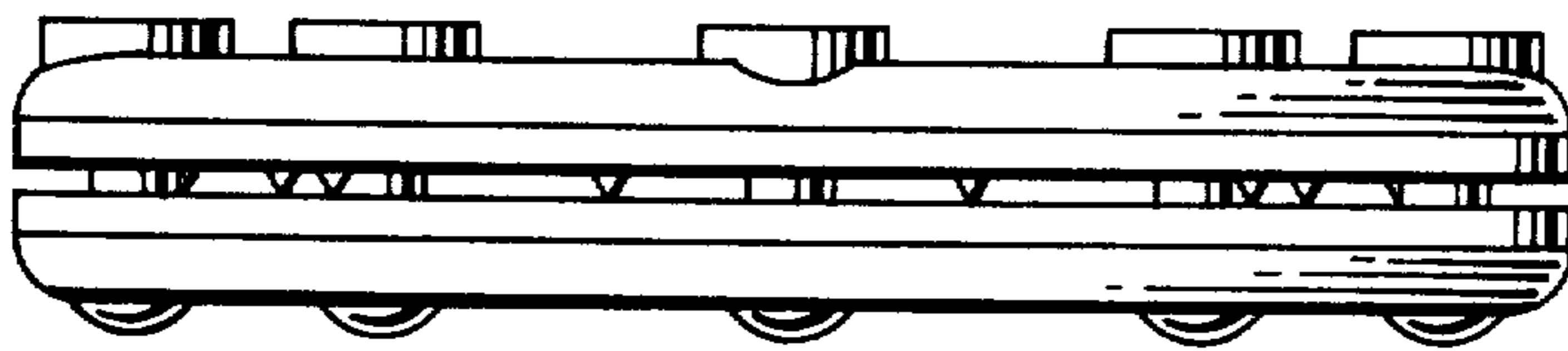


FIG. 5

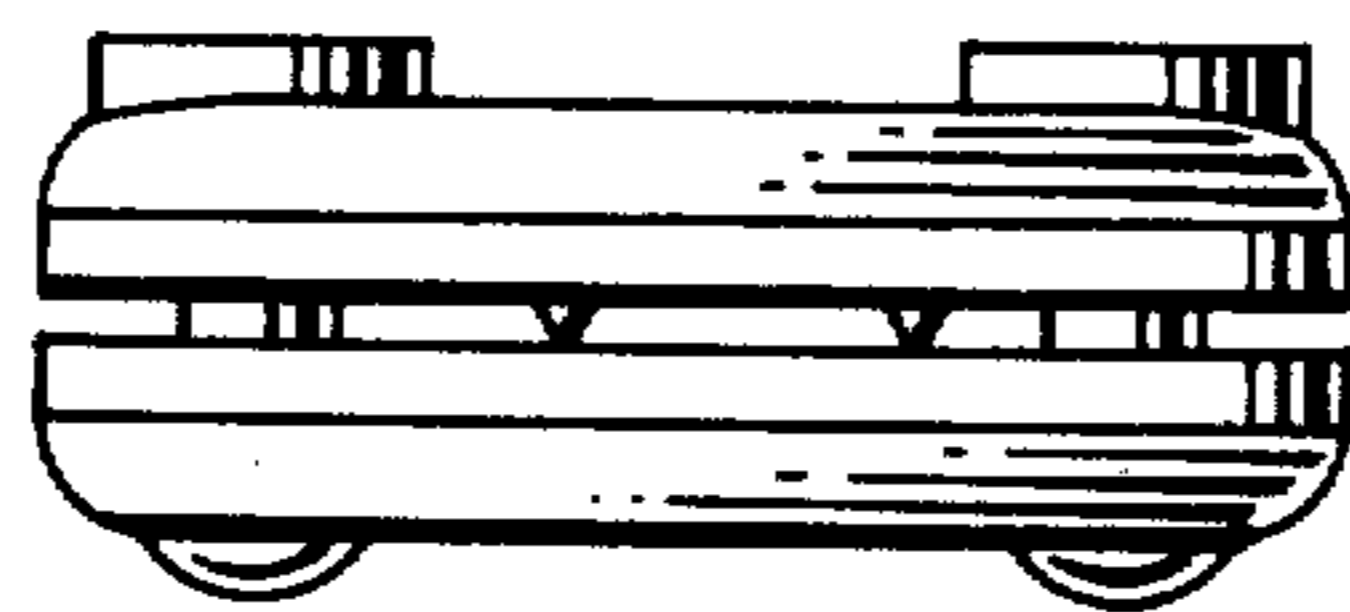


FIG. 6