

[54] FLOWER VASE

[75] Inventor: Martin J. Waterfield, Birmingham, Mich.

[73] Assignee: Florists' Transworld Delivery Association

[**] Term: 7 Years

[21] Appl. No.: 56,447

[22] Filed: Jul. 11, 1979

[51] Int. Cl. D11-02; D7-01

[52] U.S. Cl. D11/146; D7/13; D7/14; D11/152

[58] Field of Search D11/143-149, D11/151-156, 164; D7/6, 11, 13-15, 19, 22, 23, 28; 47/41 R, 41 SS, 41.1, 41.13; 206/423

[56]

References Cited

U.S. PATENT DOCUMENTS

D. 96,566 8/1935 Straus D7/15
D. 105,754 8/1937 Cunningham D7/14

OTHER PUBLICATIONS

Monongah Glass Co. Cat. 6, p. 171, Tumbler 8902.

Primary Examiner—Wallace R. Burke

Assistant Examiner—B. J. Bullock

[57]

CLAIM

The ornamental design for a flower vase, substantially as shown.

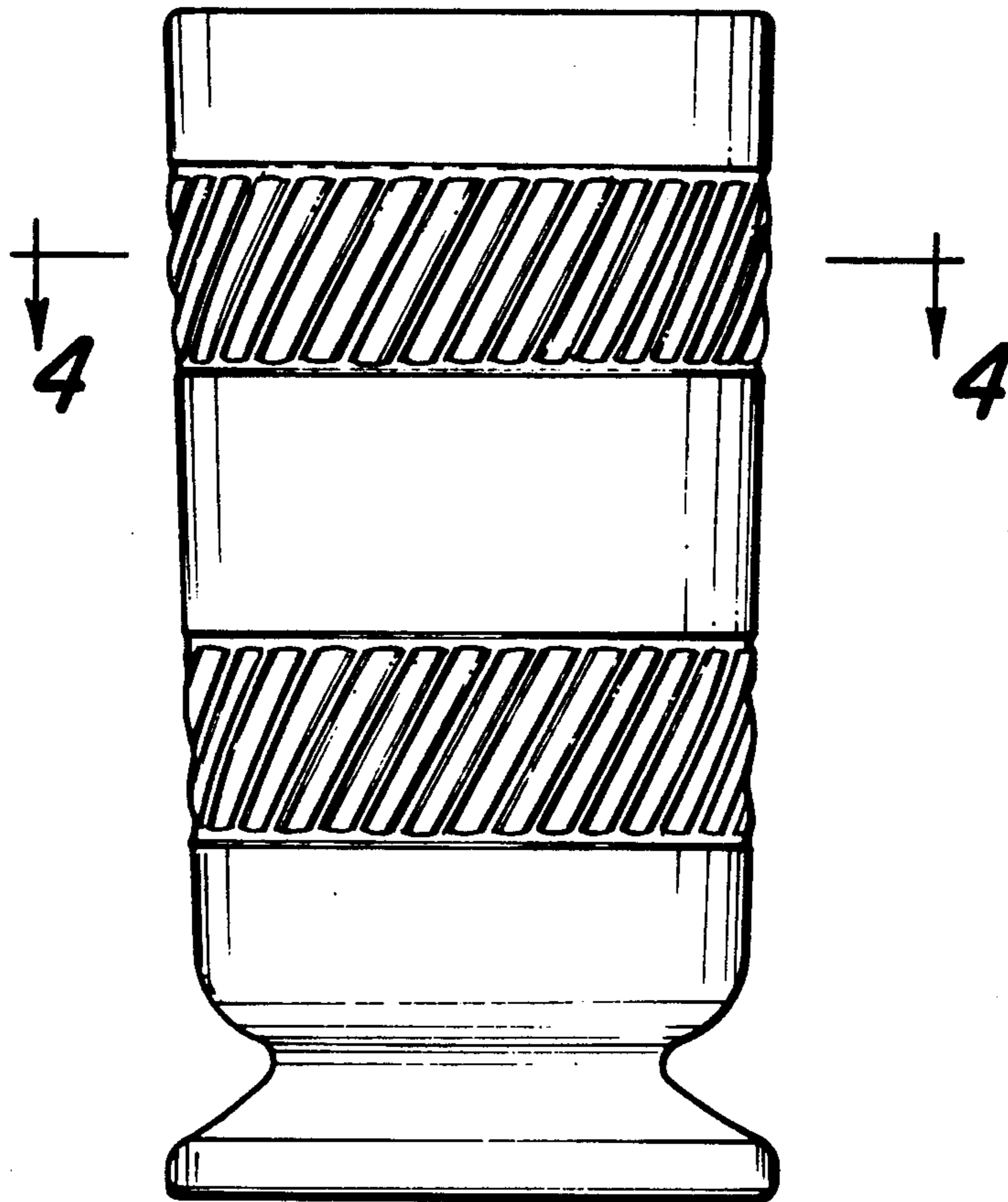
DESCRIPTION

FIG. 1 is a top plan view of a flower vase embodying my new design;

FIG. 2 is a bottom plan view thereof;

FIG. 3 is a side elevational view thereof, all sides being substantially identical;

FIG. 4 is a sectional view taken in the direction of the arrows on line 4-4 of FIG. 3.



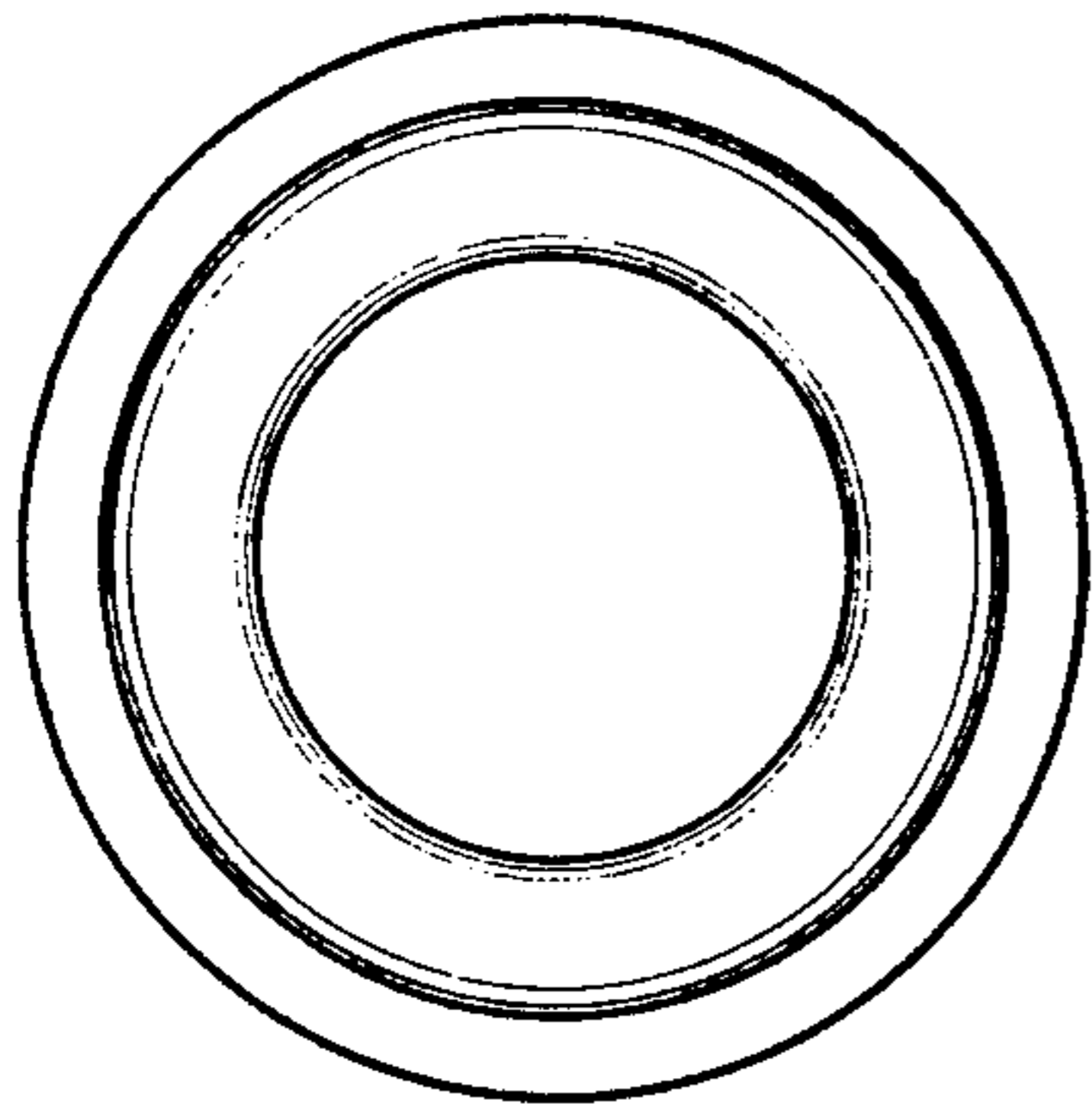


Fig-1

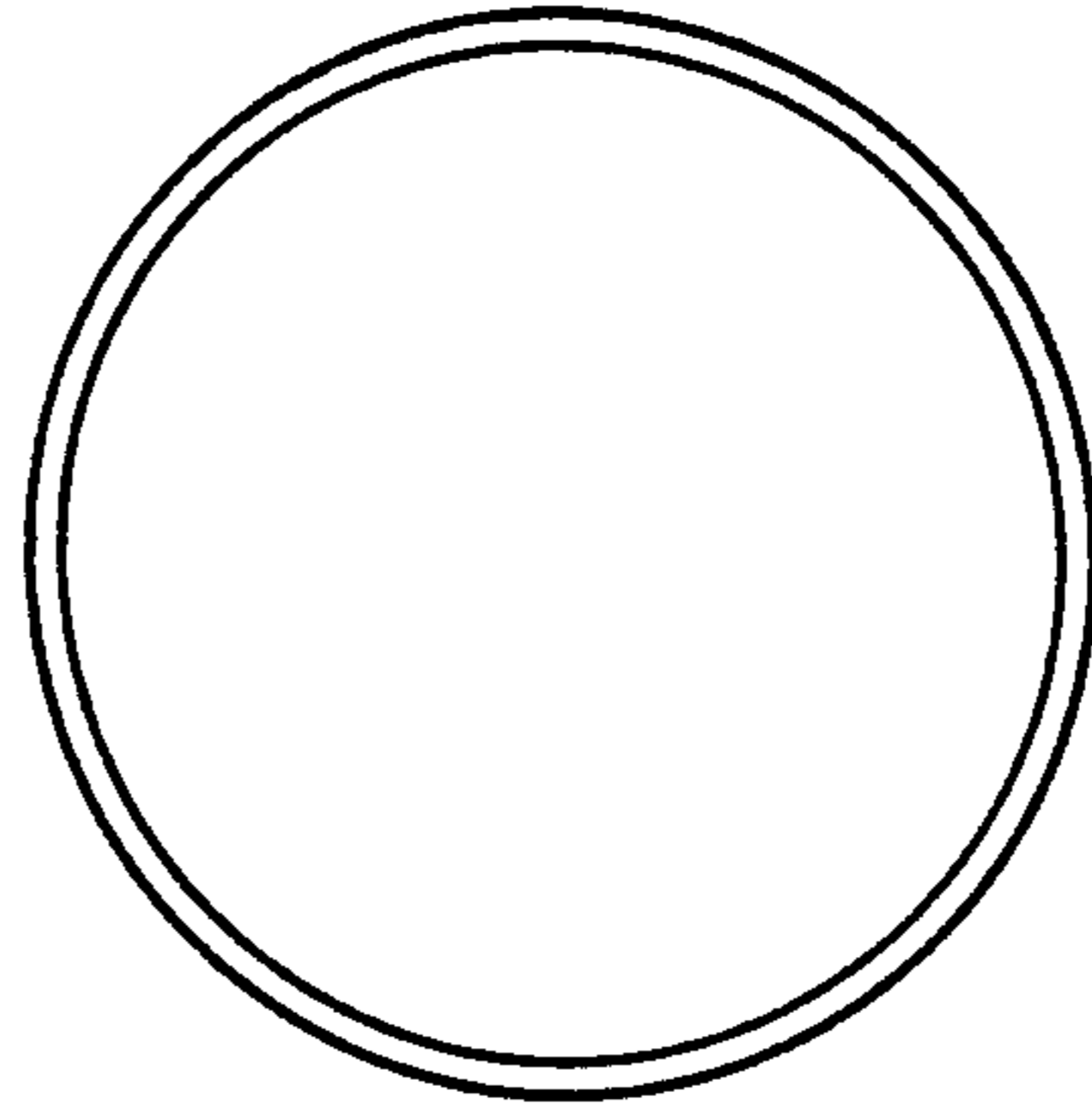


Fig - 2

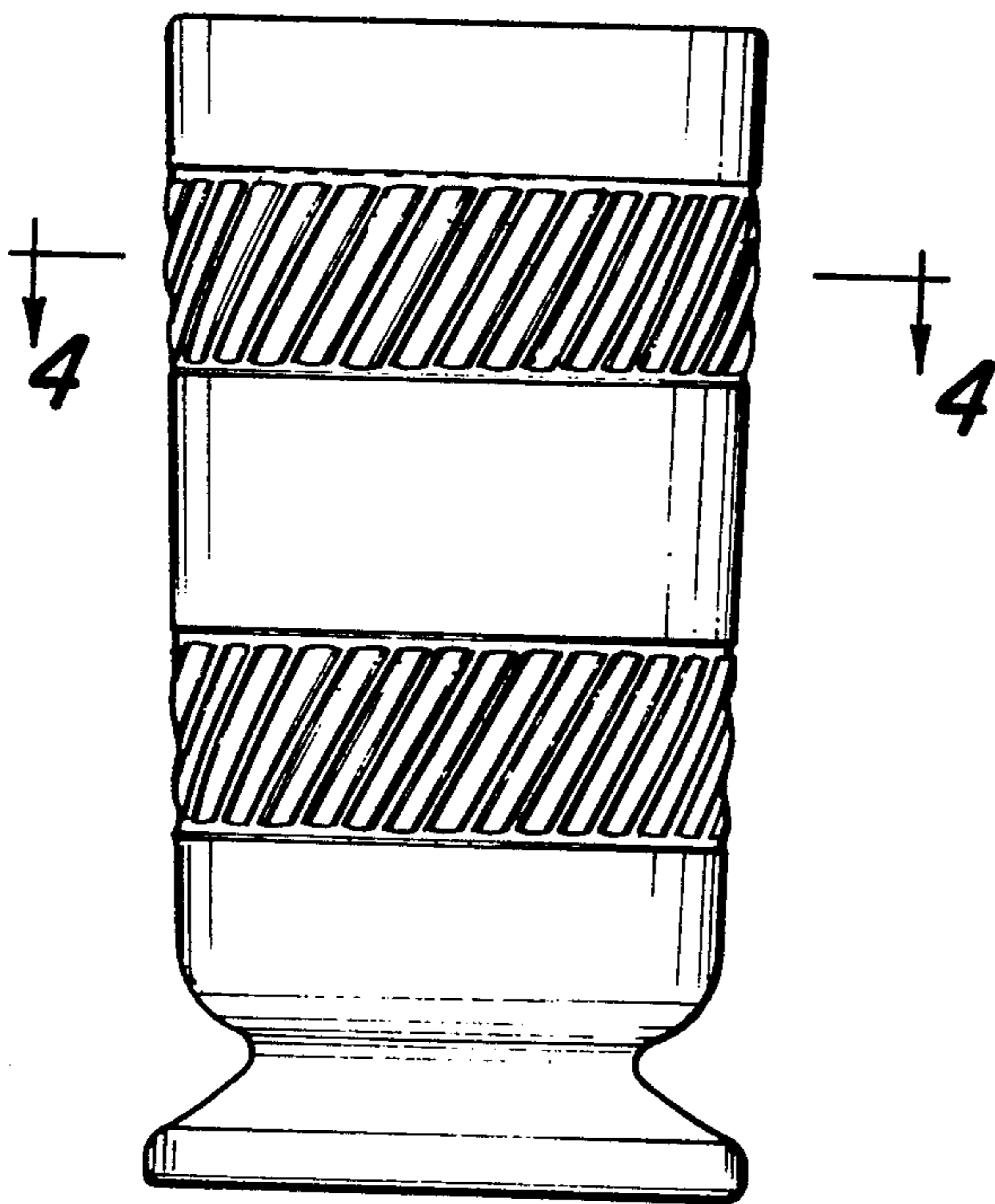


Fig - 3

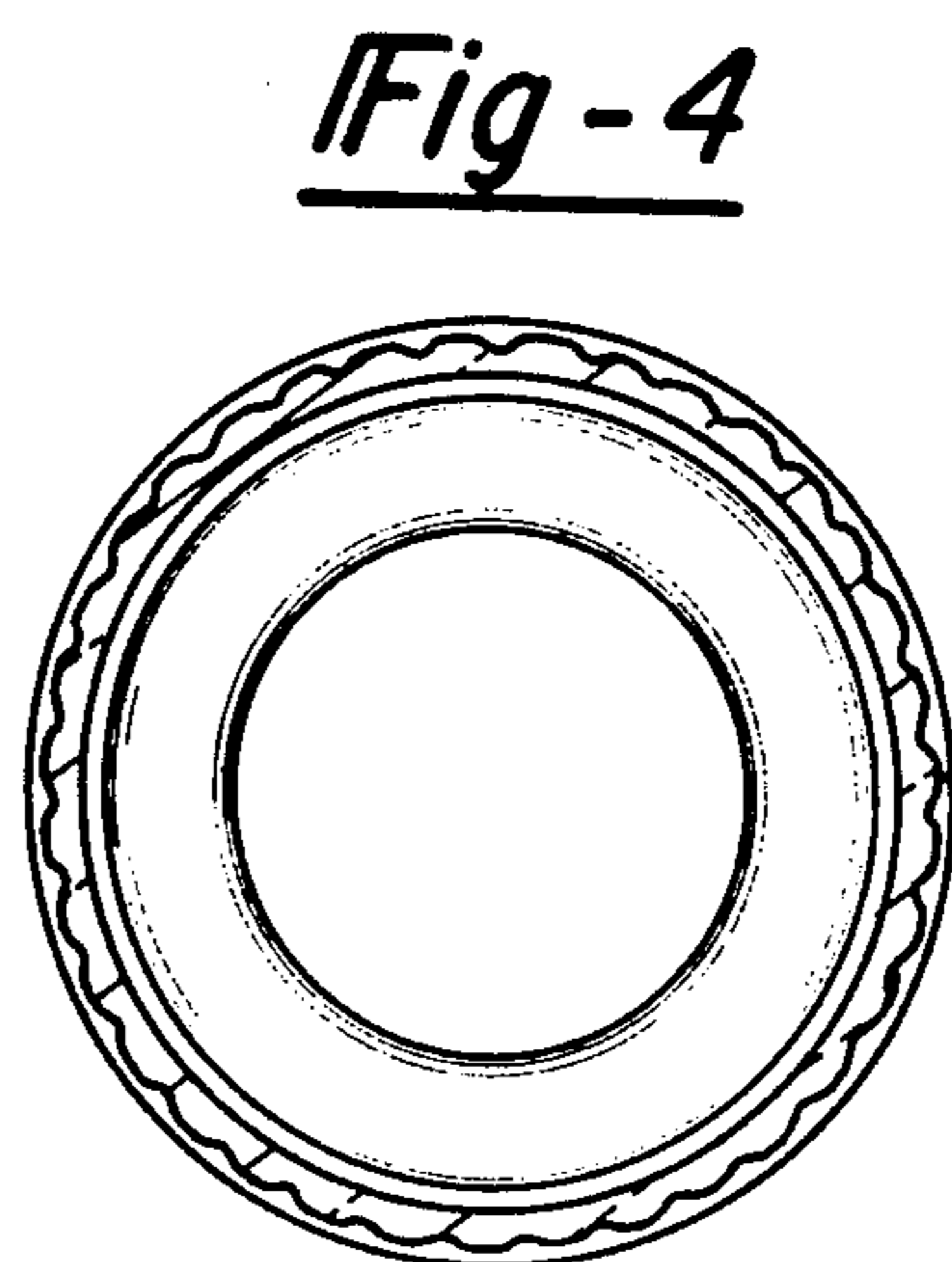


Fig - 4