

[54] RETRACTABLE MEASURING TAPE WITH FINGER GUARD

[76] Inventor: Alexander C. Atienza, 3550 Marguerite St., Los Angeles, Calif. 90065

[**] Term: 14 Years

[21] Appl. No.: 886,690

[22] Filed: Mar. 15, 1978

[51] Int. Cl. D10-04

[52] U.S. Cl. D10/72

[58] Field of Search D10/70, 71, 72; 33/137, 33/138; 242/84.8, 84.5 R

[56] References Cited

U.S. PATENT DOCUMENTS

D. 216,534	2/1970	Zelnick	D10/72
D. 228,149	8/1973	Bennett	D10/72
259,556	6/1882	Kulman	D10/72 X

2,347,273	4/1944	Lyle	33/138
3,192,630	7/1965	Dineson	33/138 X
3,324,560	6/1967	Snyder	33/138
3,823,481	7/1974	Chapin	33/138 X
3,824,695	7/1974	McClay	33/138 X

Primary Examiner—Nelson C. Holtje
Attorney, Agent, or Firm—Donald Diamond

[57] CLAIM

The ornamental design for a retractable measuring tape with finger guard, substantially as shown.

DESCRIPTION

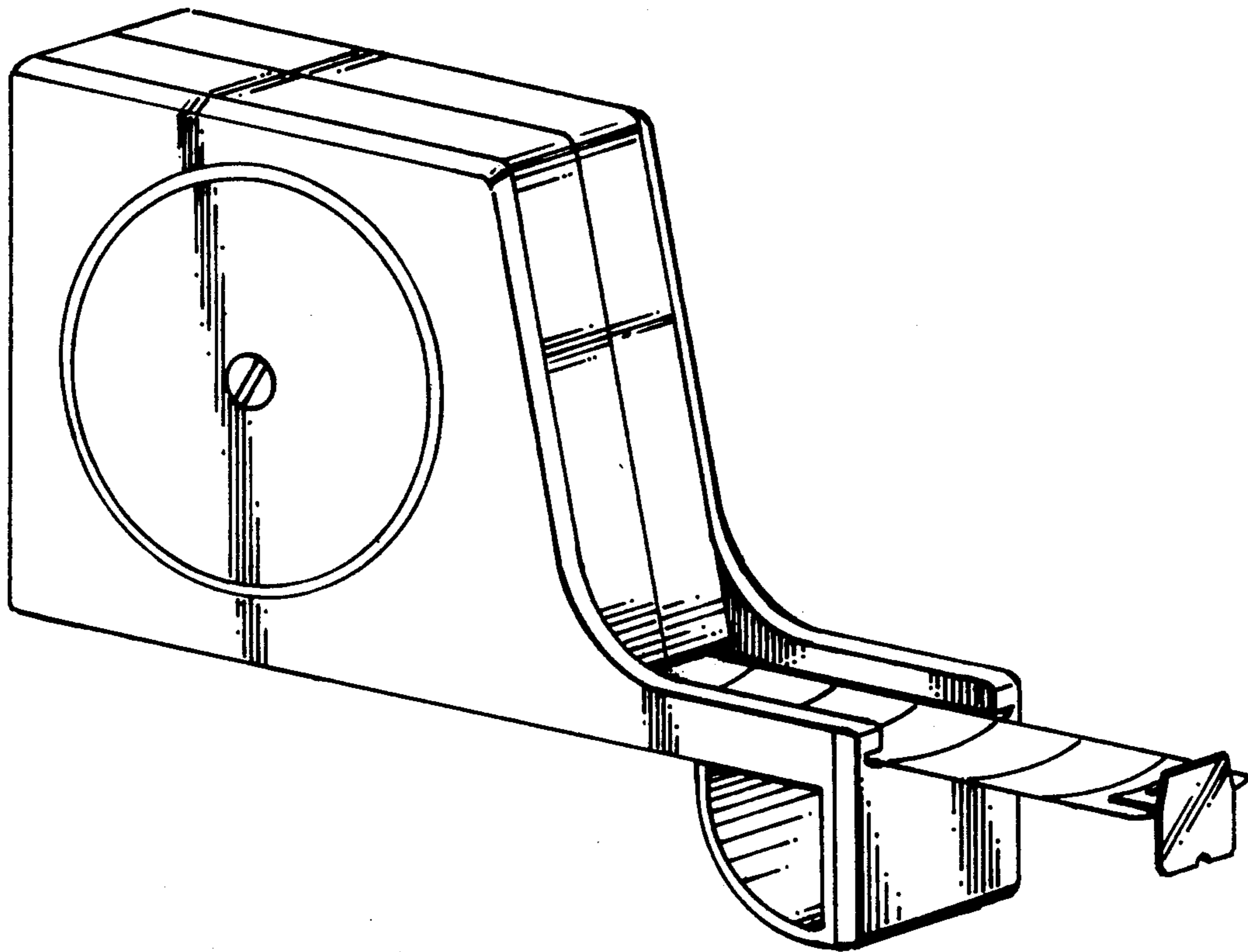
FIG. 1 is a top and left, front perspective view of a retractable measuring tape with finger guard showing my new design;

FIG. 2 is a left side elevational view thereof, the right side being substantially a mirror image thereto;

FIG. 3 is a front elevational view thereof;

FIG. 4 is a bottom plan view thereof; and

FIG. 5 is a rear elevational view thereof.



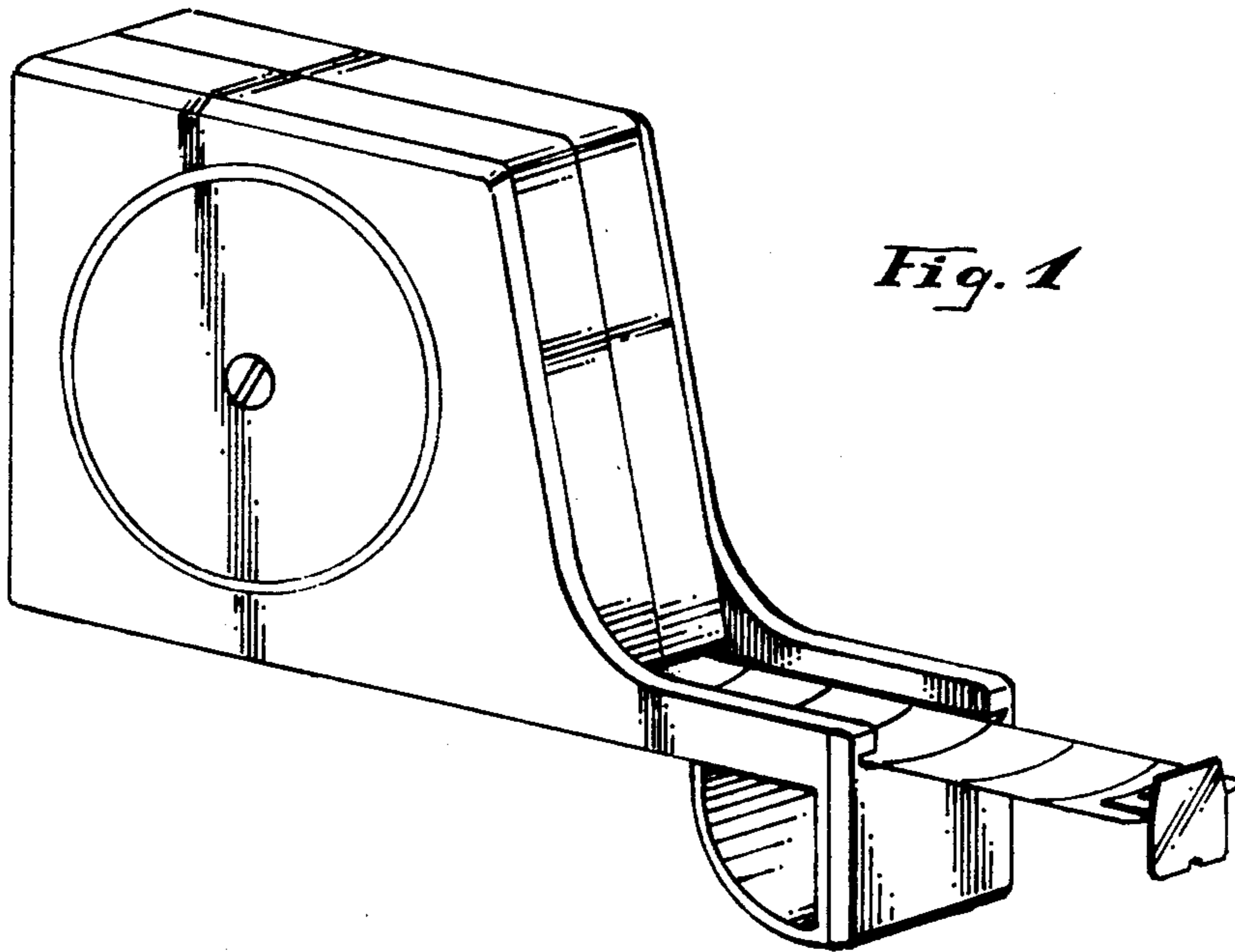


Fig. 1

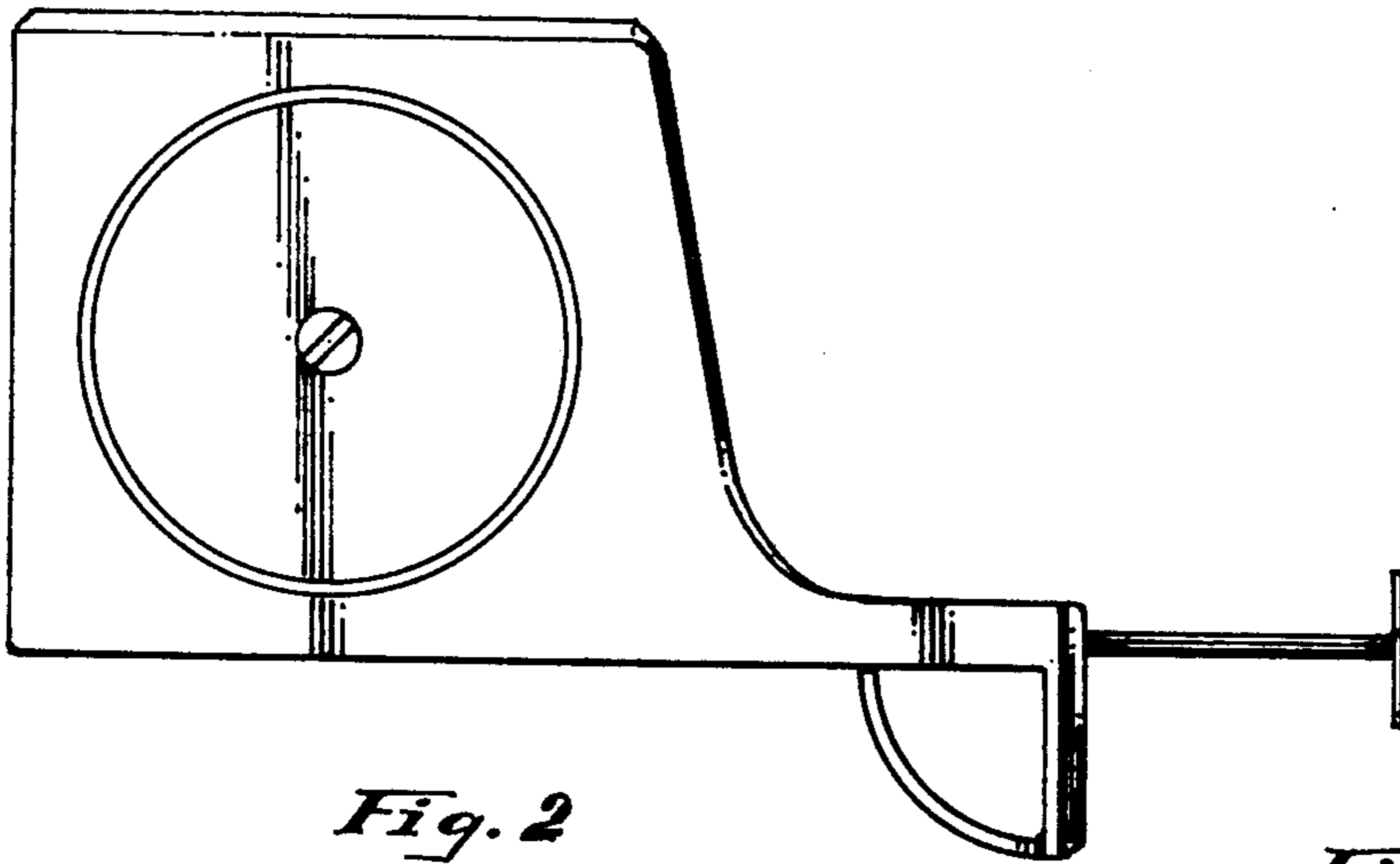


Fig. 2



Fig. 3

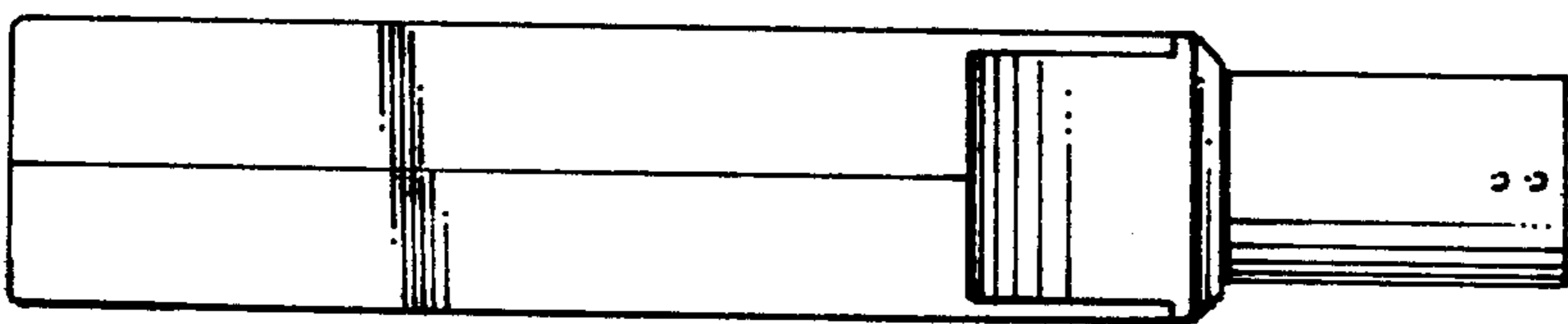


Fig. 4

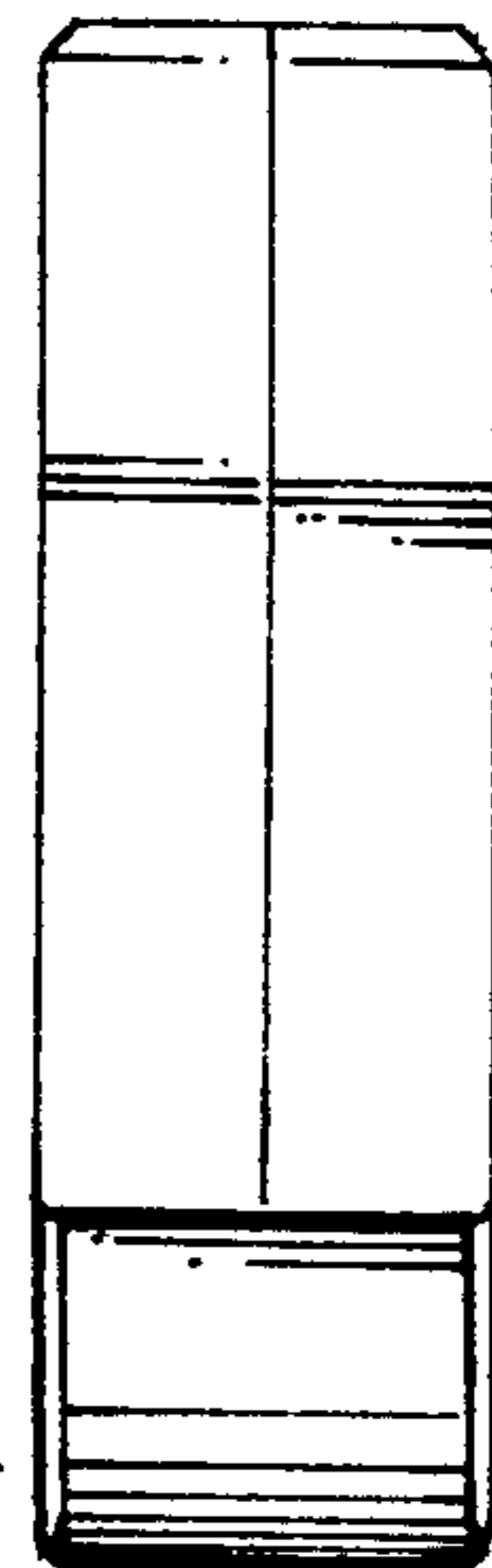


Fig. 5