

[54] **RADIO DIRECTION FINDER**  
 [75] Inventor: Peter J. Price, Camberley, England  
 [73] Assignee: A.P.T. Electronics Limited, Reading, England  
 [\*\*] Term: 14 Years  
 [21] Appl. No.: 902,787  
 [22] Filed: May 3, 1978  
 [30] Foreign Application Priority Data  
 Nov. 4, 1977 [GB] United Kingdom ..... 982160/77  
 [51] Int. Cl. .... D10-04  
 [52] U.S. Cl. .... D10/65  
 [58] Field of Search ..... D10/65, 68, 74, 46, D10/75, 78; 343/113, 113 PT, 115

[56] **References Cited**  
**U.S. PATENT DOCUMENTS**  
 D. 176,453 12/1955 Fowler ..... D10/65 X  
 D. 188,106 6/1960 Sundberg ..... D10/65  
 D. 193,850 10/1962 Powel ..... D10/47  
 D. 193,931 10/1962 Bagshaw ..... D10/78 X  
 D. 213,701 4/1969 Leeming ..... D10/65

D. 219,741 1/1971 Warren ..... D10/65  
 D. 224,022 6/1972 Warren ..... D10/65  
 D. 230,610 3/1974 Warren ..... D10/65  
 3,115,635 12/1963 Leeming ..... 343/113  
 3,469,262 9/1969 Frieling ..... 343/113 PT

**OTHER PUBLICATIONS**

*Radio & TV News*, Jun. 1957, pp. 42-44, Radio Direction Finder.  
*Overseas Associated, Inc.*, Portable Location Plotter.  
*Primary Examiner*—Nelson C. Holtje  
*Attorney, Agent, or Firm*—Louis E. Marn; Elliot M. Olstein

[57] **CLAIM**

The ornamental design for a radio direction finder, as shown and described.

**DESCRIPTION**

FIG. 1 is a front perspective view of a radio direction finder showing my new design;  
 FIG. 2 is a left side elevational view thereof;  
 FIG. 3 is a rear elevational view thereof;  
 FIG. 4 is a top plan view thereof;  
 FIG. 5 is a bottom plan view thereof.



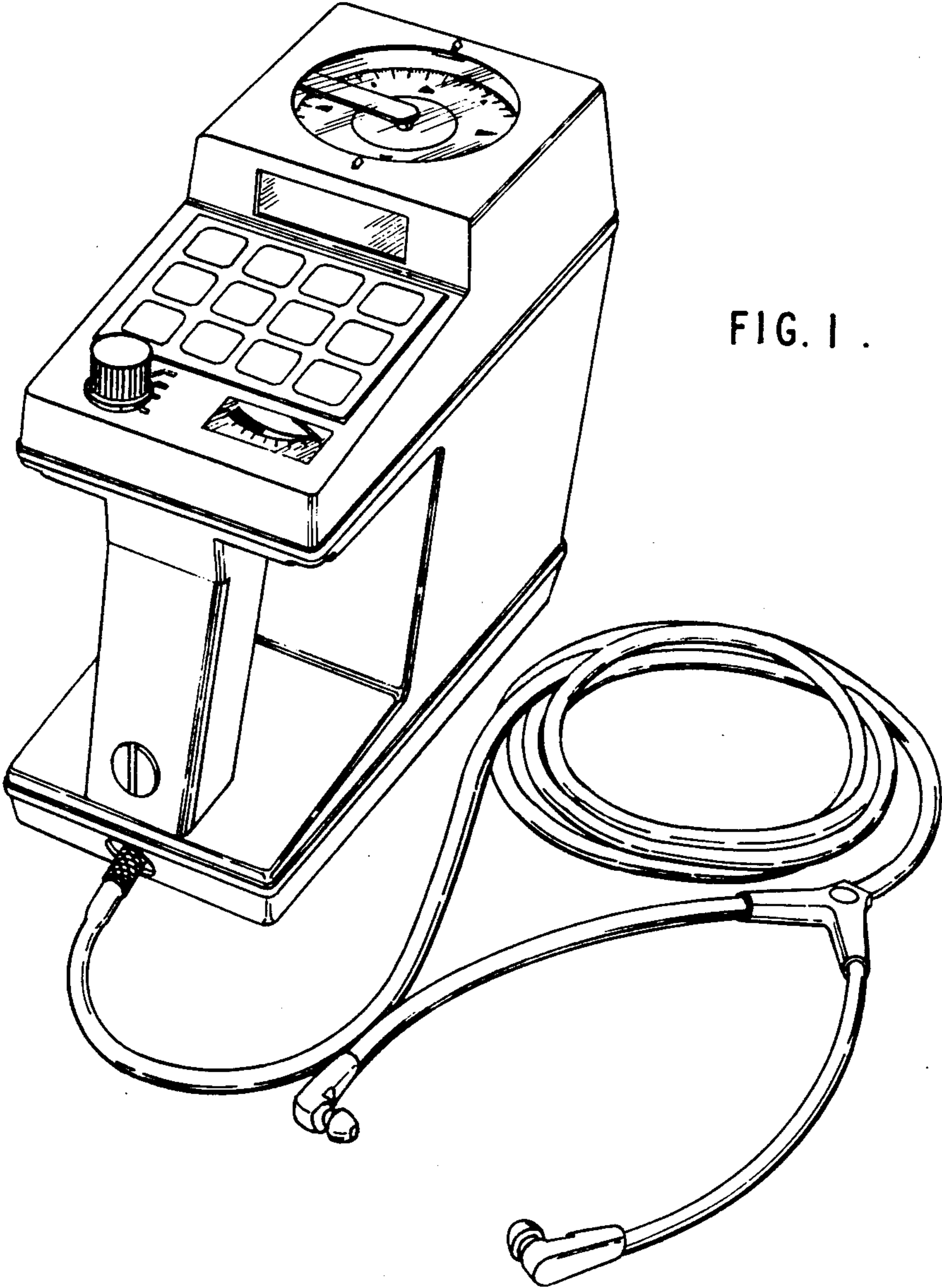


FIG. 1 .

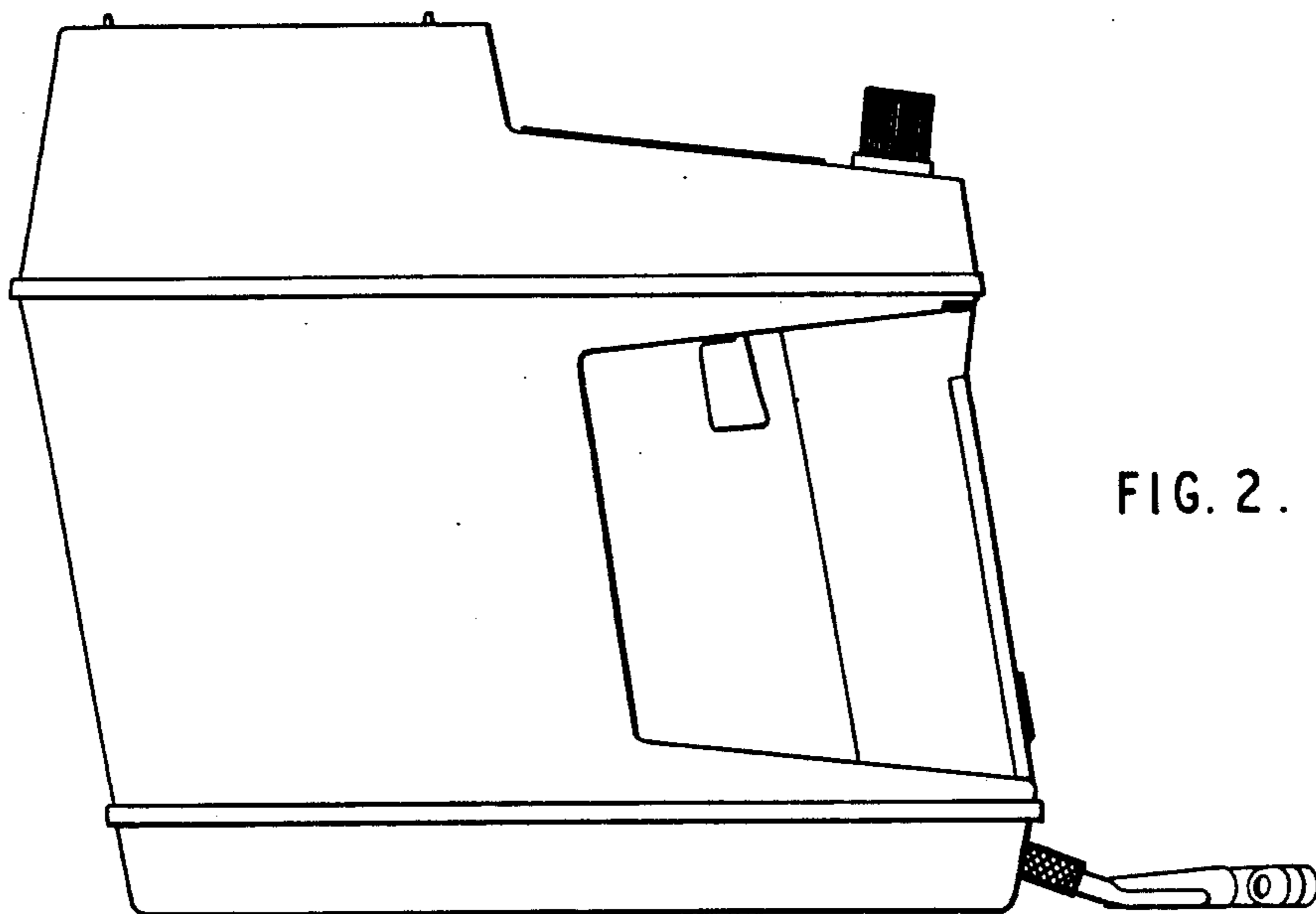


FIG. 2.

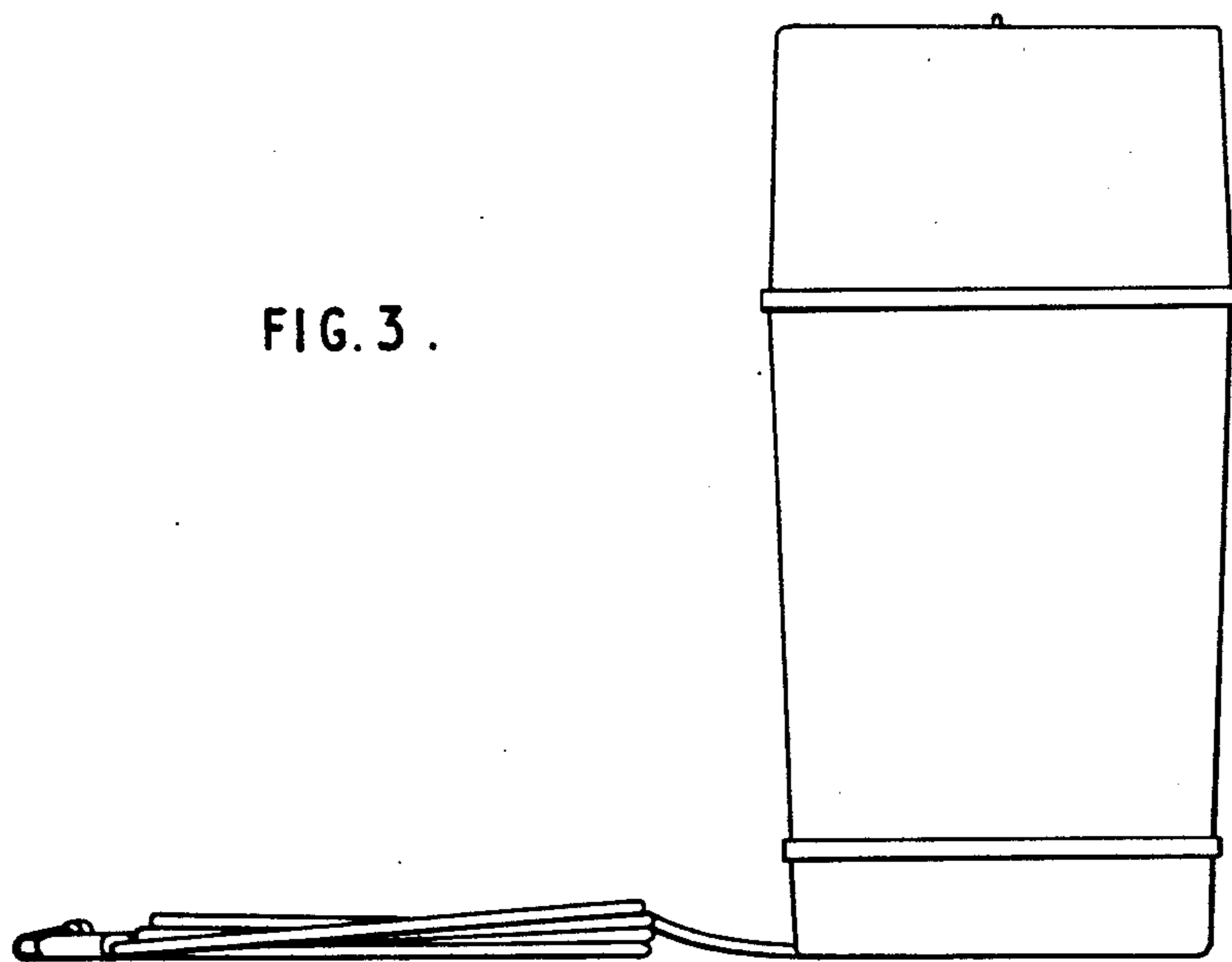


FIG. 3.

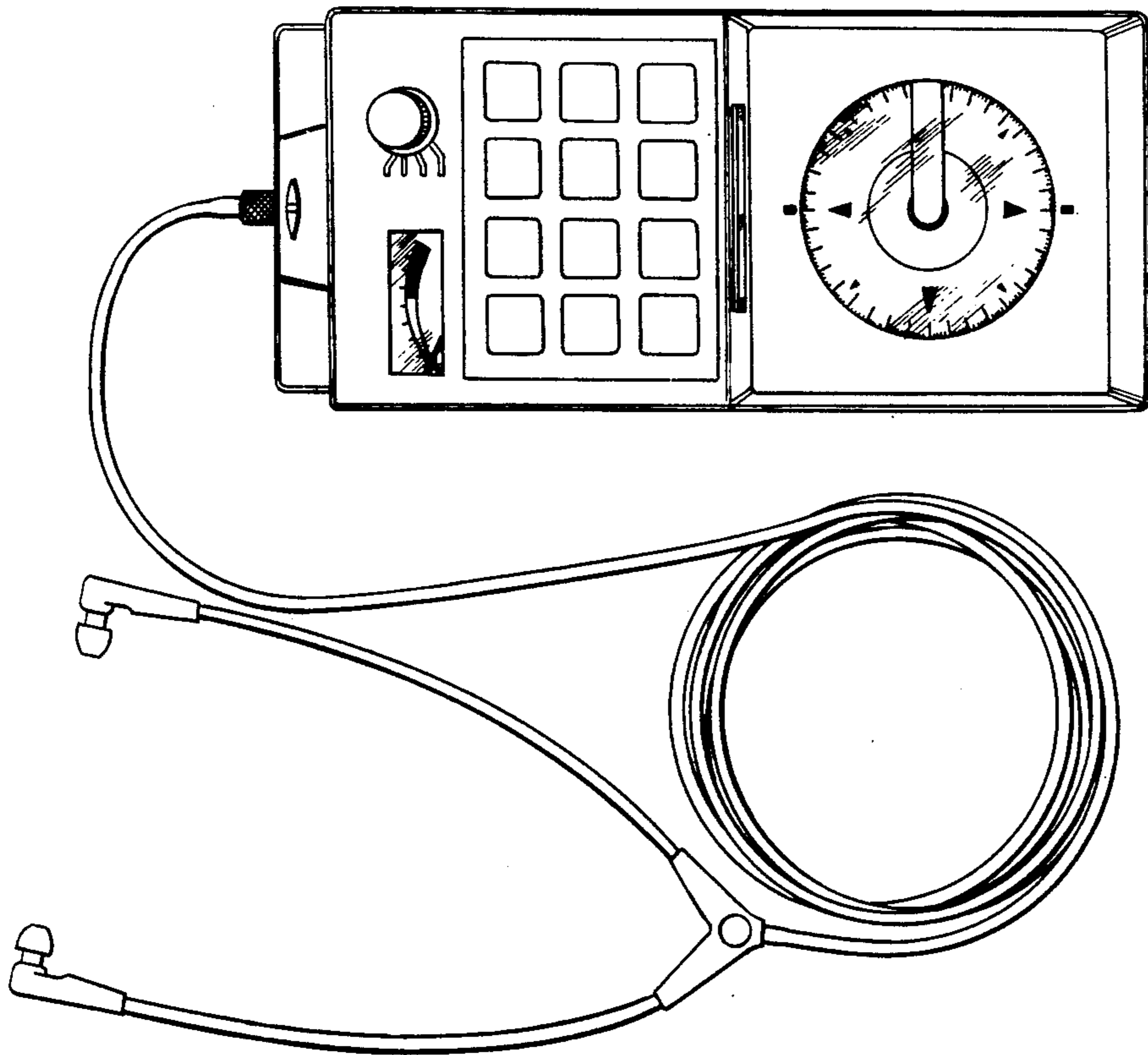


FIG. 4.

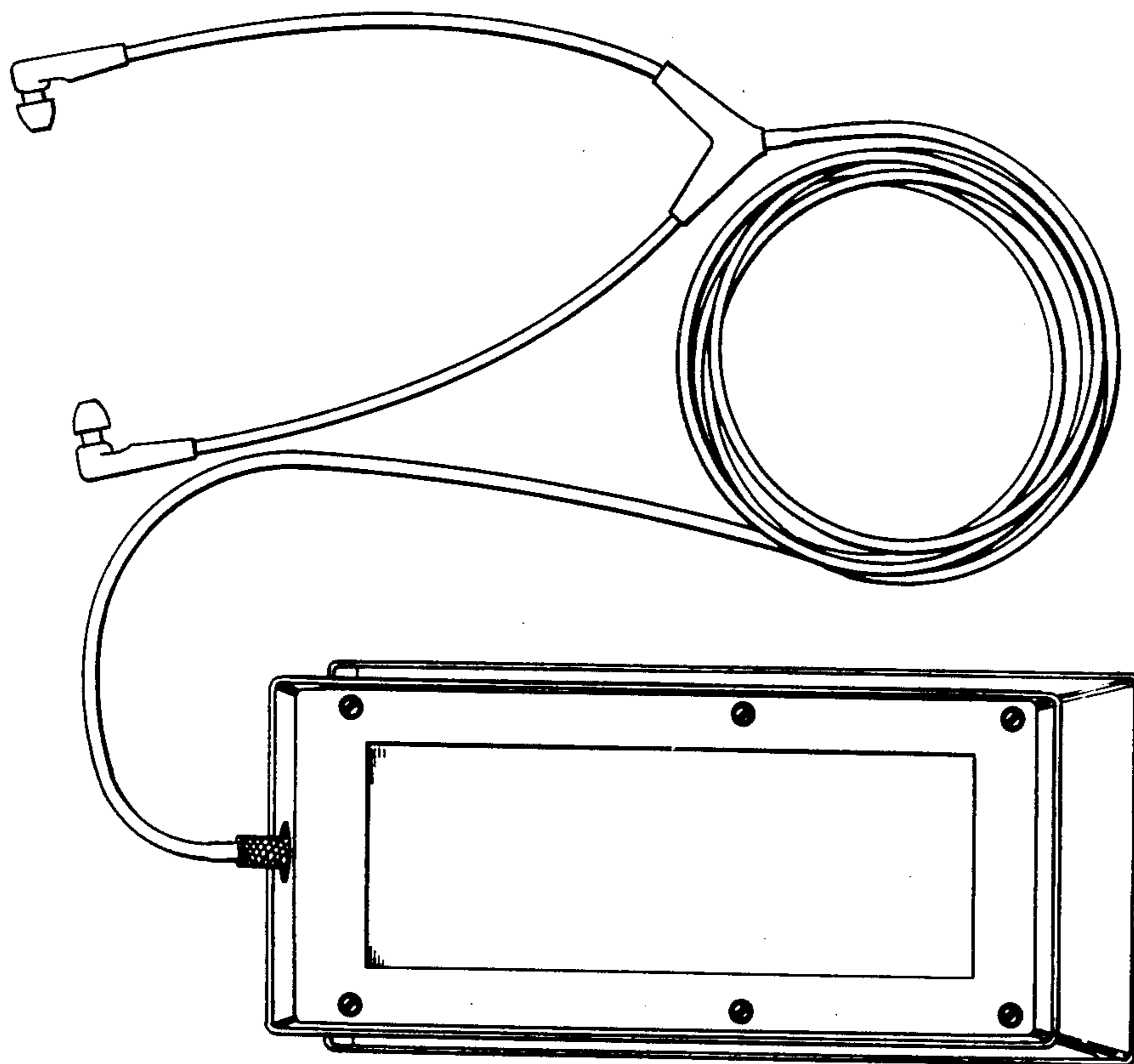


FIG. 5.