

[54] DIGITAL WATCH

[75] Inventor: Masafumi Yamagami, Osaka, Japan

[73] Assignee: Sharp Corporation, Osaka, Japan

[**] Term: 14 Years

[21] Appl. No.: 888,689

[22] Filed: Mar. 21, 1978

[30] Foreign Application Priority Data

Sep. 21, 1977 [JP] Japan 52/38492

[51] Int. Cl. D10-02

[52] U.S. Cl. D10/30

[58] Field of Search D10/30, 31, 37, 38;
D11/6, 7; 58/50 R, 23 R, 152 R, 53-56, 16 D

[56] References Cited

U.S. PATENT DOCUMENTS

D. 139,829	12/1944	Plosky	D10/30
D. 234,360	2/1975	Duncan	D18/6 X
D. 238,757	2/1976	Glarner	D10/30
D. 241,725	10/1976	Bailey	D10/15

OTHER PUBLICATIONS

Jeweler's Circular-Keystone, Nov. 1978, p. 65, Bulova Quartz at center.

Sporting Goods Dealer, Apr. 1978, p. 145, Stop Watches at bottom left.

Jeweler's Circular-Keystone, Nov. 1978, p. 64, Seiko Quartz at center.

Primary Examiner—Nelson C. Holtje

Attorney, Agent, or Firm—Paul D. Flehr

[57] CLAIM

The ornamental design for a digital watch, as shown and described.

DESCRIPTION

FIG. 1 is a perspective view of a digital watch showing my new design;

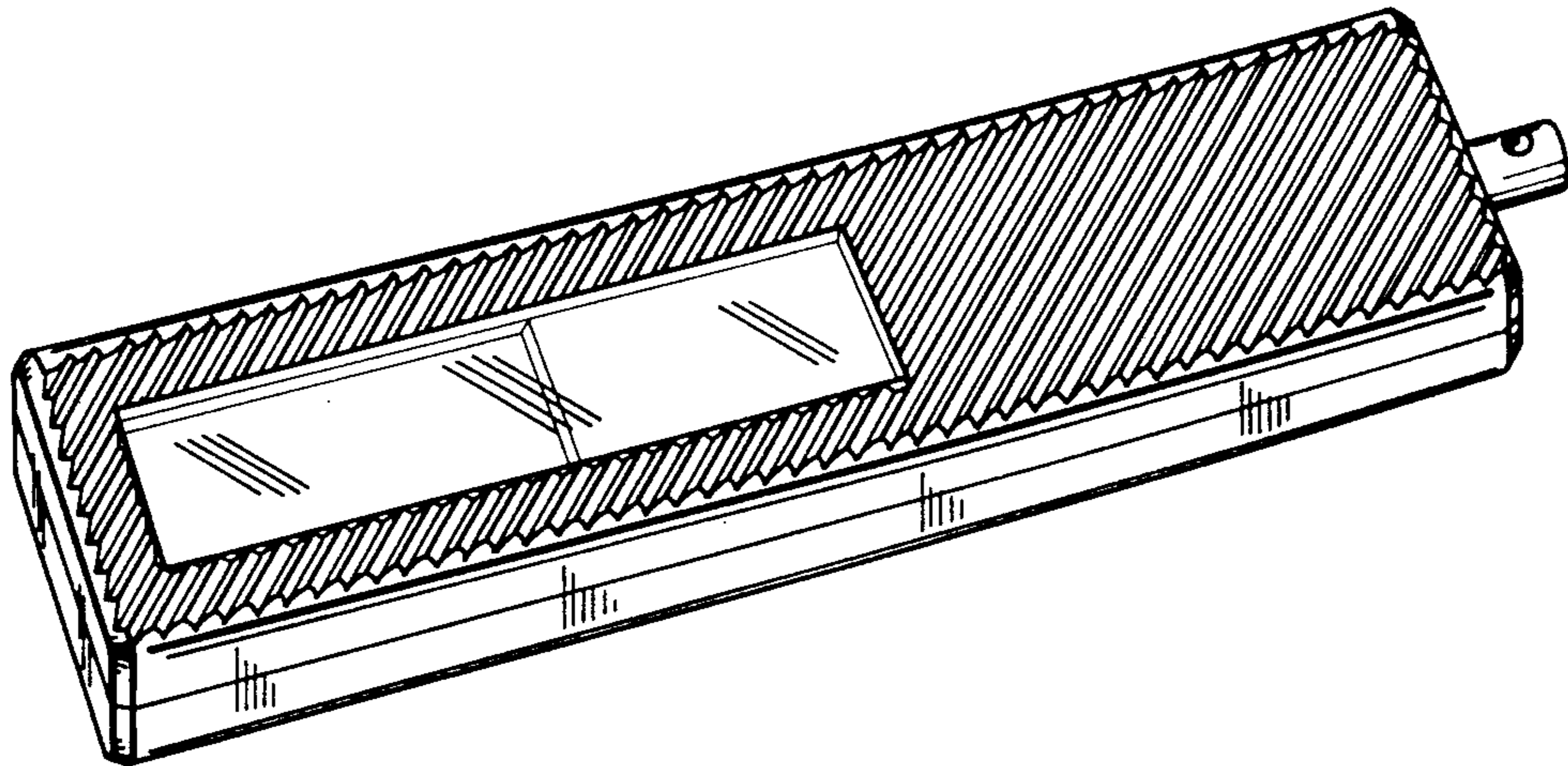
FIG. 2 is a top plan view thereof;

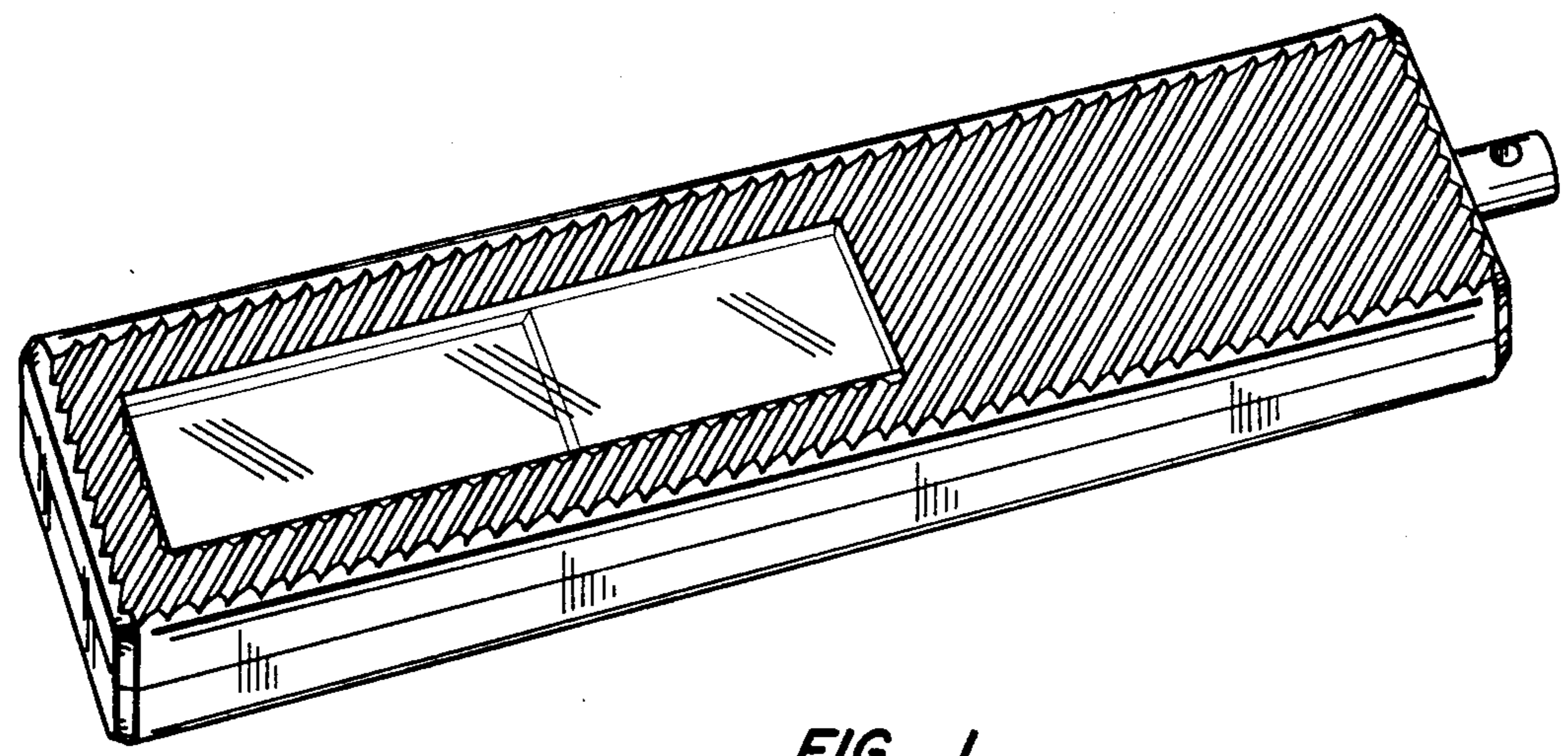
FIG. 3 is a front elevational view thereof, the rear side being substantially a mirror image thereto;

FIG. 4 is a right side elevational view thereof;

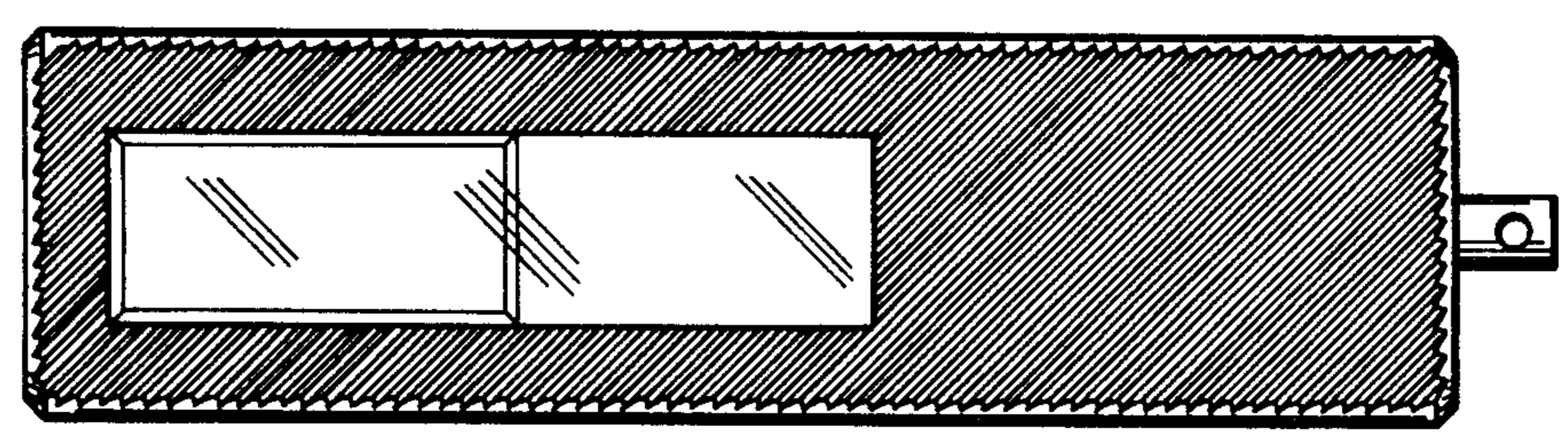
FIG. 5 is a left side elevational view thereof; and

FIG. 6 is a bottom plan view thereof.

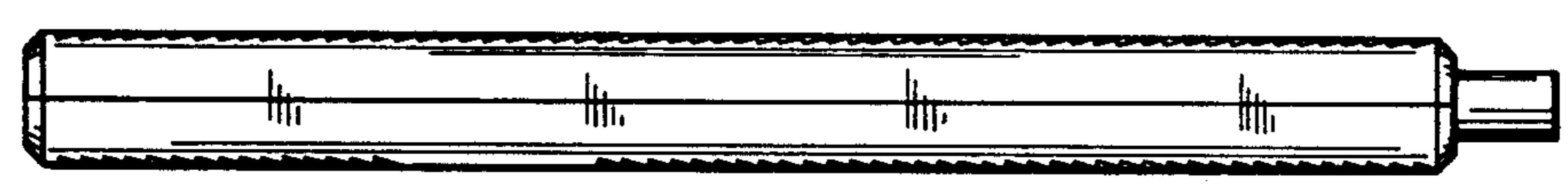




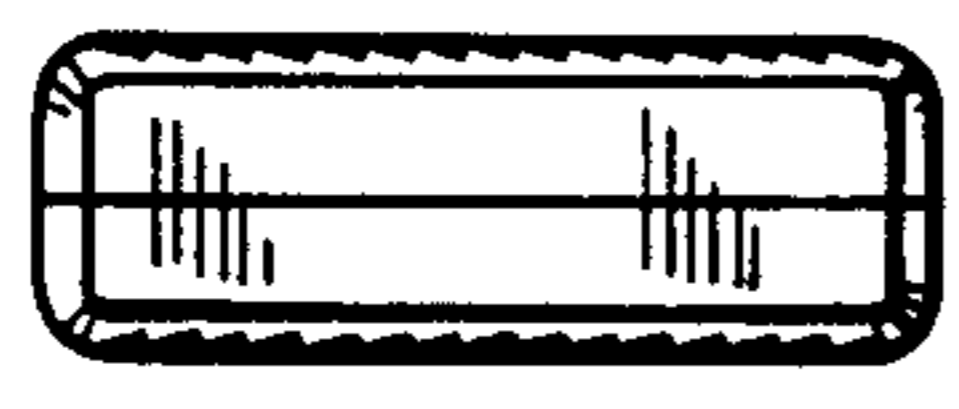
FIG_1



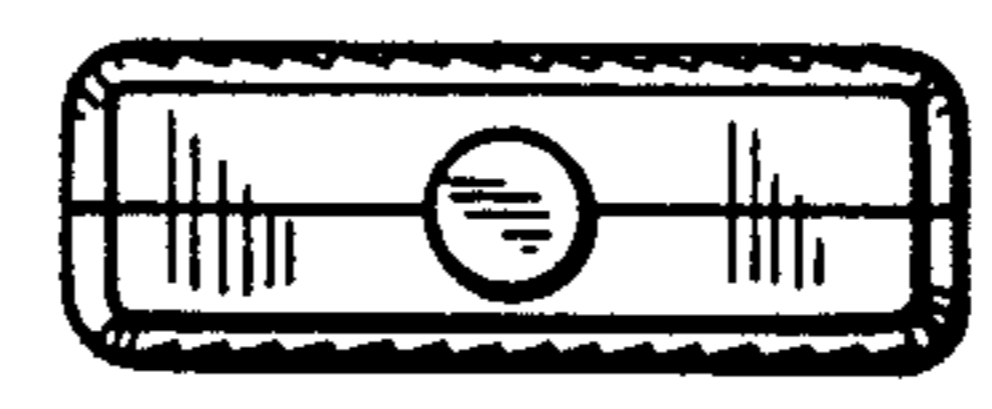
FIG_2



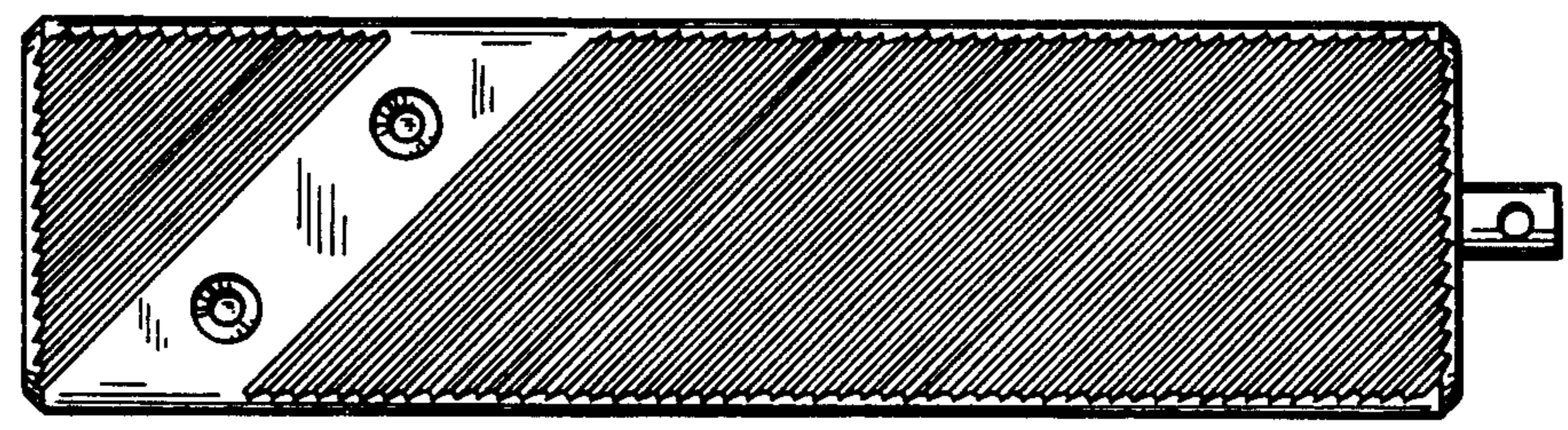
FIG_3



FIG_5



FIG_4



FIG_6