

[54] **LOOSE-FILL PACKING ELEMENT**
 [76] Inventor: **Harry D. Atkins**, 5802 Troost Ave.,
 North Hollywood, Calif. 91601
 [**] Term: **14 Years**
 [21] Appl. No.: **836,518**
 [22] Filed: **Sep. 26, 1977**
 [51] Int. Cl. **D9-99**
 [52] U.S. Cl. **D9/294**
 [58] Field of Search 206/521, 523, 584;
 264/51, 53, 55, 321; 428/33, 156, 174, 357, 398,
 399, 402; D11/3, 6, 11, 13; D25/71-97; D1/21;
 D9/294; 220/429

D. 240,604 7/1976 Bussey, Jr. D9/294
 1,318,210 10/1919 Boiteaux D25/73 X
 3,389,534 6/1968 Pendleton 220/429 X
 3,546,055 12/1970 Spertus 206/523 X
 4,027,064 5/1977 Bussey, Jr. 206/523 X

Primary Examiner—Robert C. Spangler
 Attorney, Agent, or Firm—Francis X. LoJacono, Sr.

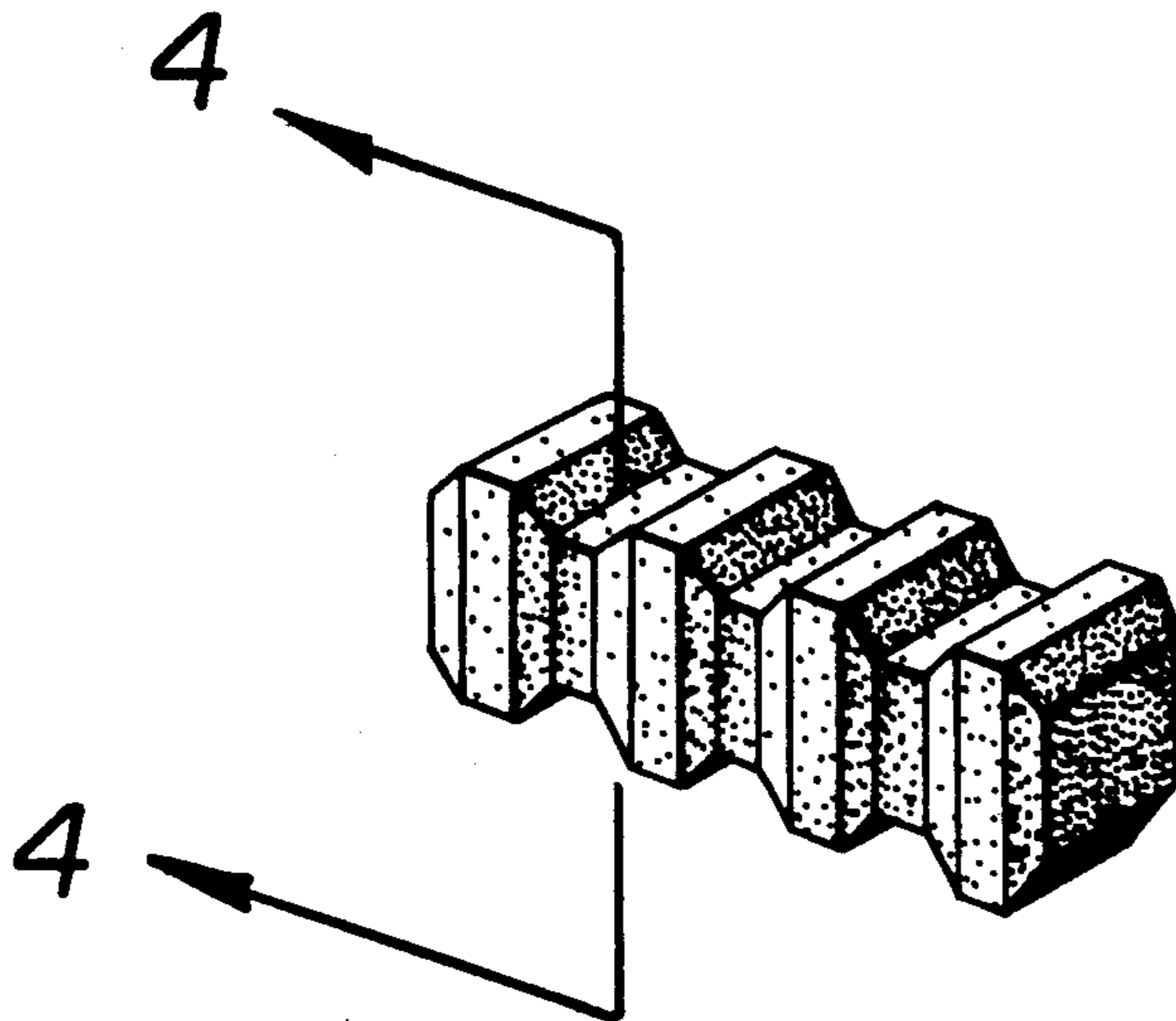
[57] **CLAIM**

The ornamental design for a loose-fill packing element, as shown and described.

DESCRIPTION

FIG. 1 is a perspective view of a loose-fill packing element showing my new design therefor;
 FIG. 2 is a top plan view thereof;
 FIG. 3 is an end elevational view thereof;
 FIG. 4 is a cross-sectional view taken along line 4—4 of FIG. 1; and
 FIG. 5 is a bottom plan view thereof.
 The side elevational views are the same in appearance as the top and bottom views shown.

[56] **References Cited**
U.S. PATENT DOCUMENTS
 D. 9,741 2/1877 Jarrett et al. D1/21
 D. 90,592 8/1933 Peterson D1/21
 D. 163,638 6/1951 Rosten D25/73 X



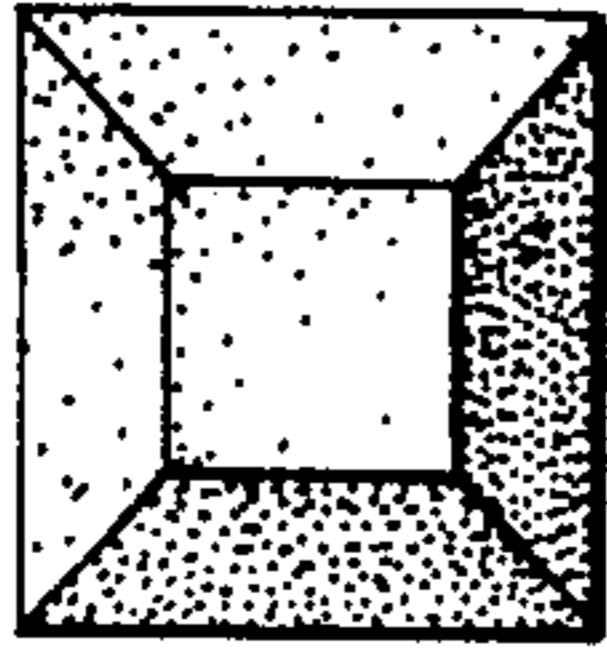
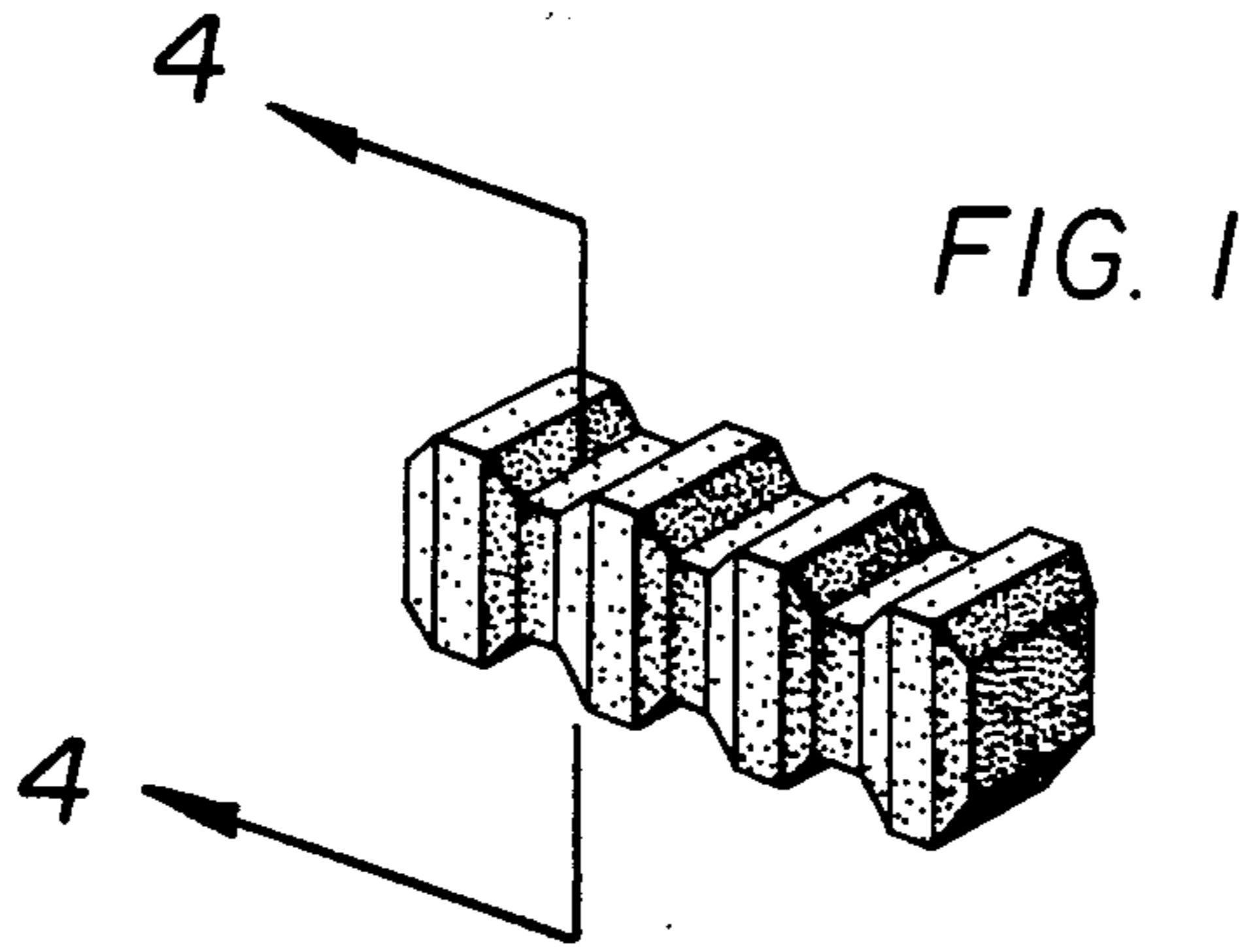


FIG. 3

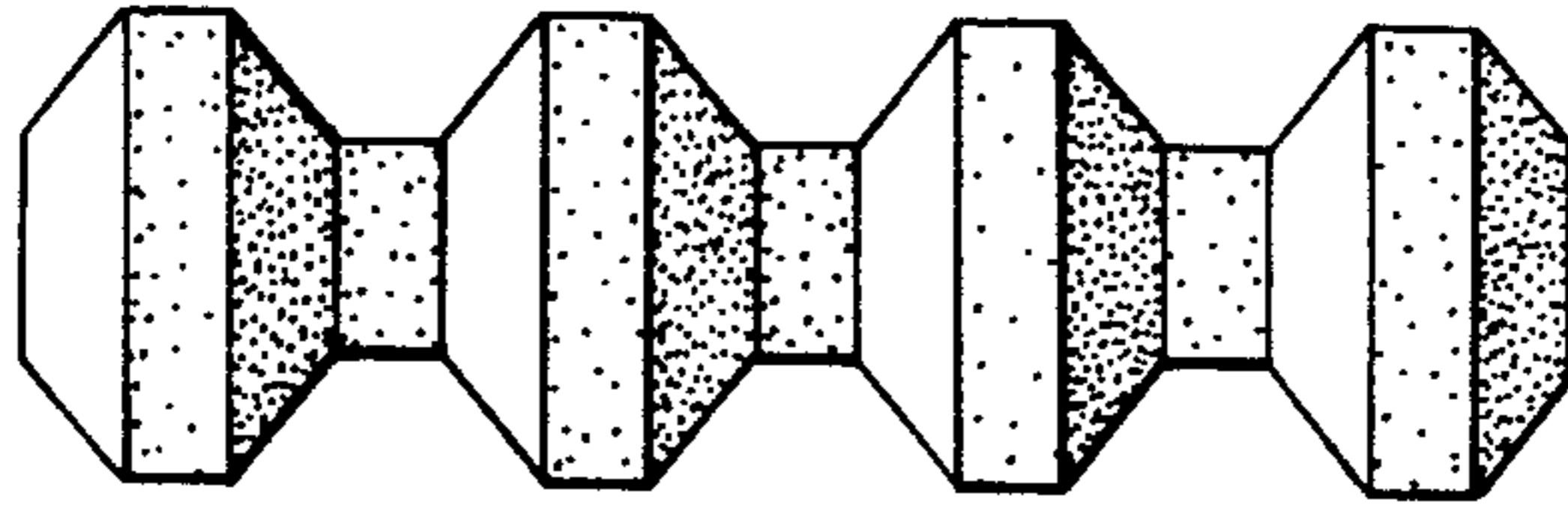


FIG. 2

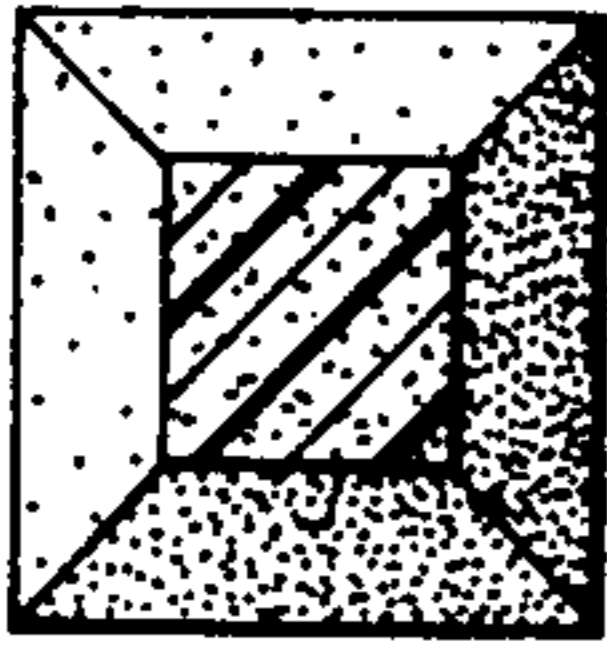


FIG. 4

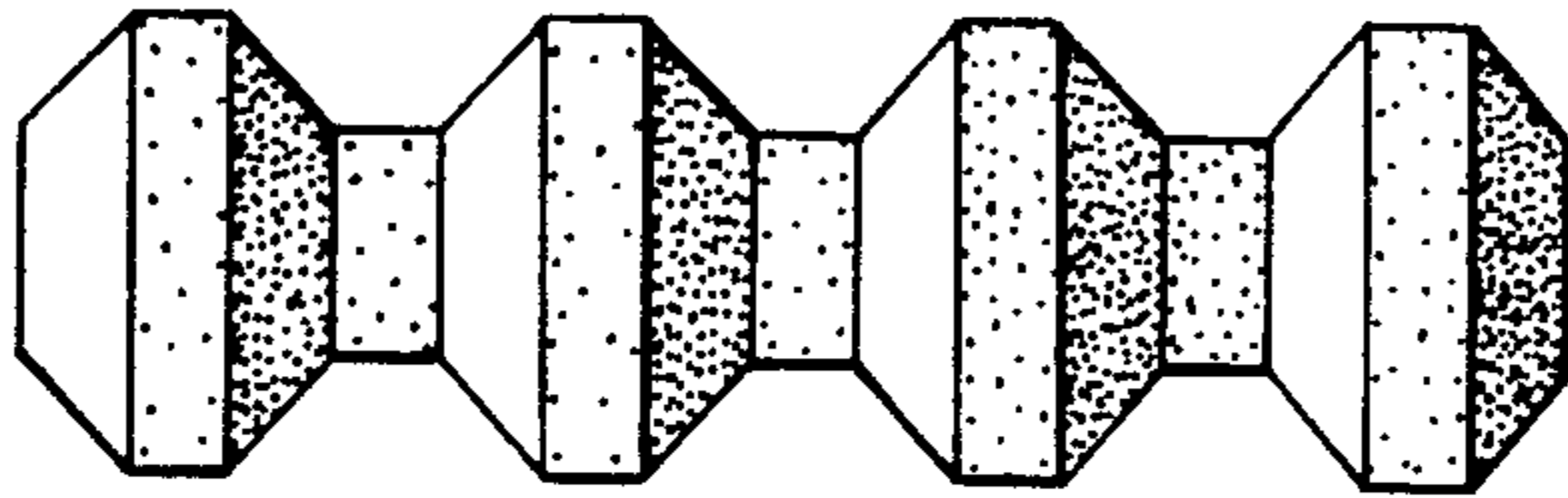


FIG. 5