

[54] GASOLINE CAN

[76] Inventor: Al W. Hustrei, 6108 Sally Ave.,
Bakersfield, Calif. 93308

[**] Term: 14 Years

[21] Appl. No.: 907,244

[22] Filed: May 17, 1978

[51] Int. Cl. D9-03

[52] U.S. Cl. D9/175; D9/52;
D9/275; D9/290

[58] Field of Search D9/38-53,
D9/175, 275, 290; 222/566, 570

[56] References Cited

U.S. PATENT DOCUMENTS

D. 29,619	11/1898	Schenck	D9/175
D. 113,301	2/1939	McKee	D9/290
D. 193,535	9/1962	Kyser	D9/290
D. 194,486	1/1963	Hill	D9/52

D. 213,949	4/1969	Lenhart	D9/175
D. 244,260	5/1977	Walker	D9/275
3,170,601	2/1965	Daley	D9/175 X
3,473,703	10/1969	Lippincott	D9/275 X

Primary Examiner—Robert C. Spangler
Attorney, Agent, or Firm—Robert H. Fraser

[57] CLAIM

The ornamental design for a gasoline can, substantially as shown and described.

DESCRIPTION

FIG. 1 is a perspective view of a gasoline can showing my new design;
FIG. 2 is a side elevational view;
FIG. 3 is an elevational view looking from the right of FIG. 2;
FIG. 4 is an elevational view looking from the left of FIG. 2;
FIG. 5 is a top plan view; and
FIG. 6 is a perspective view with the handle in opened position.

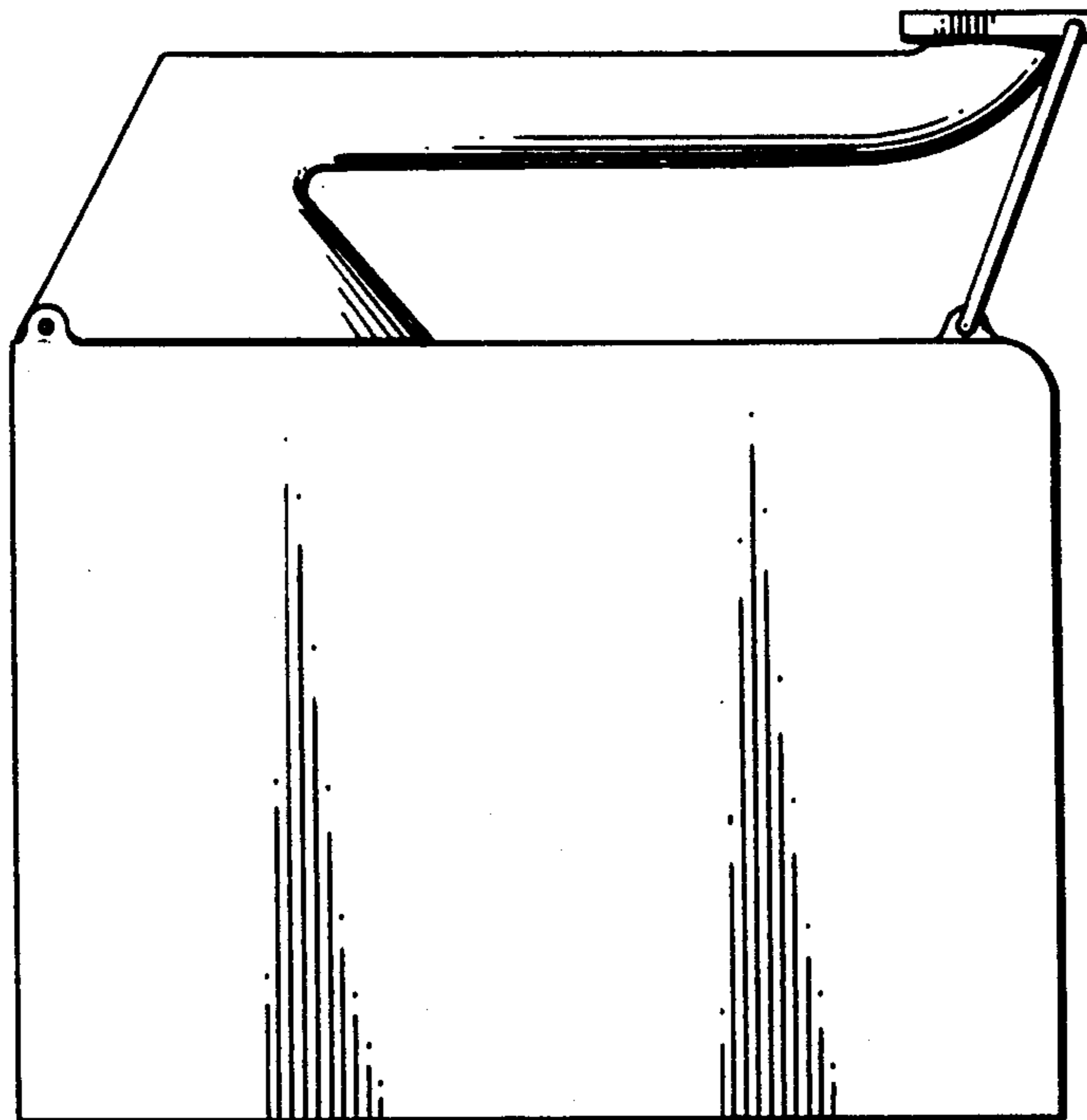


FIG. 2

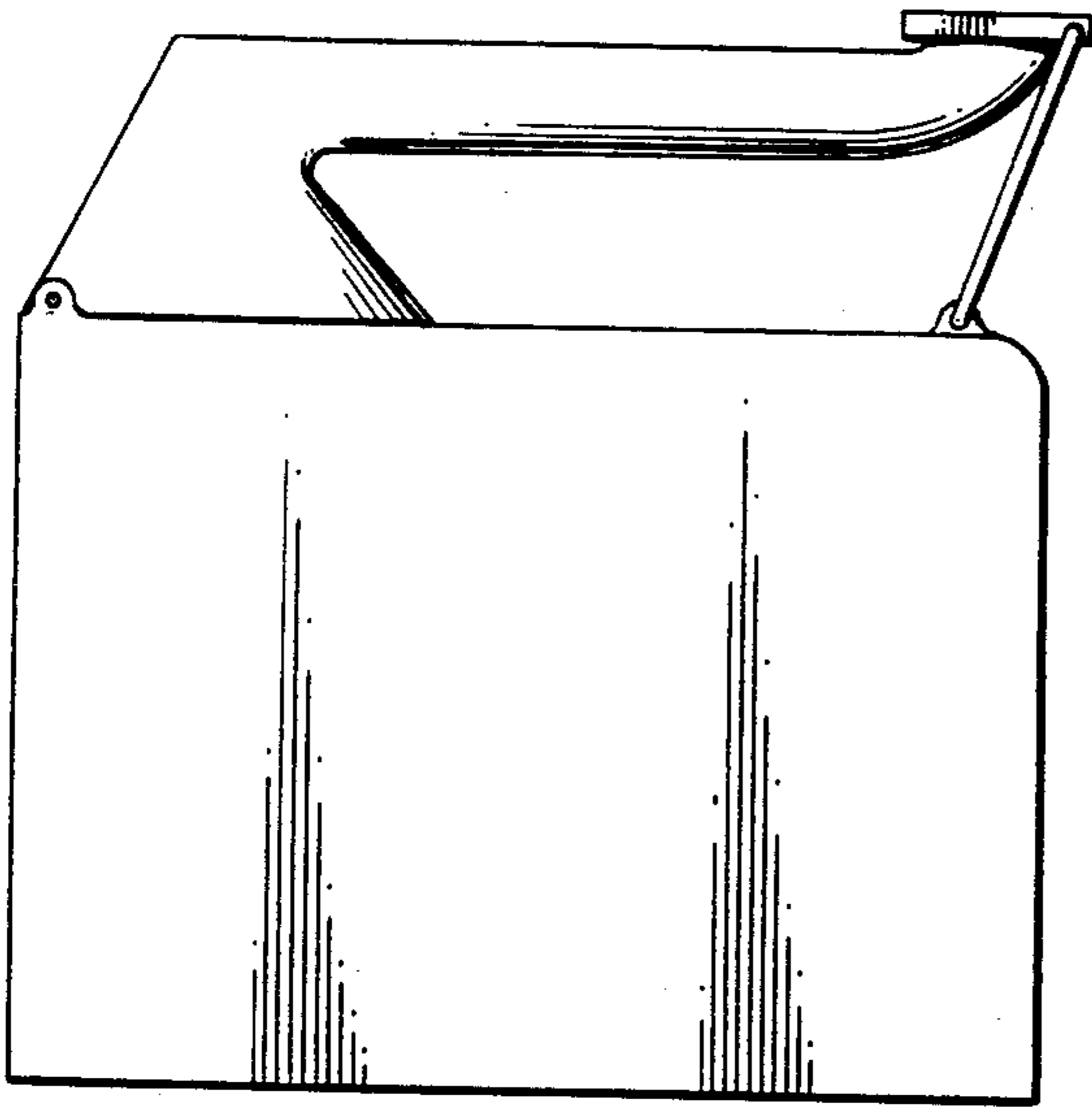


FIG. 3

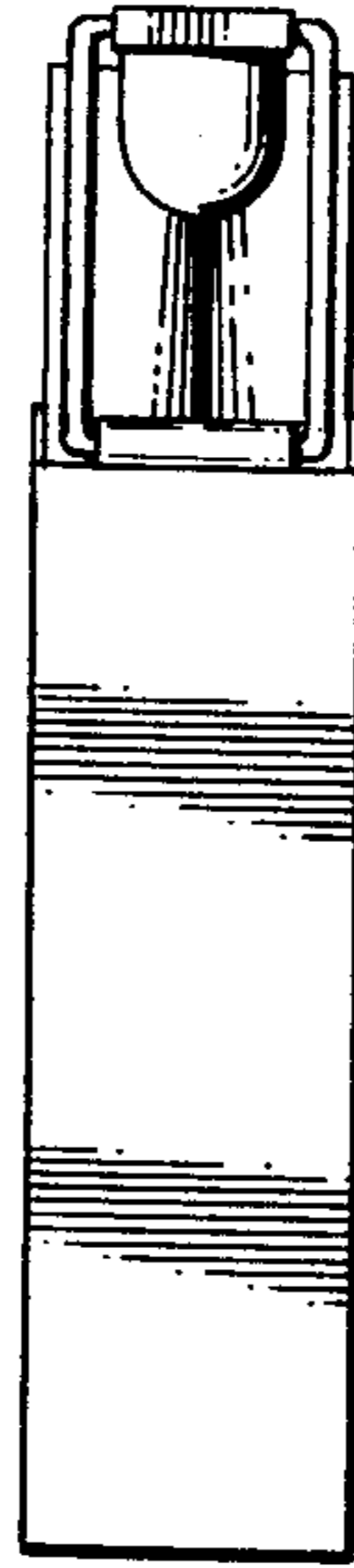


FIG. 4

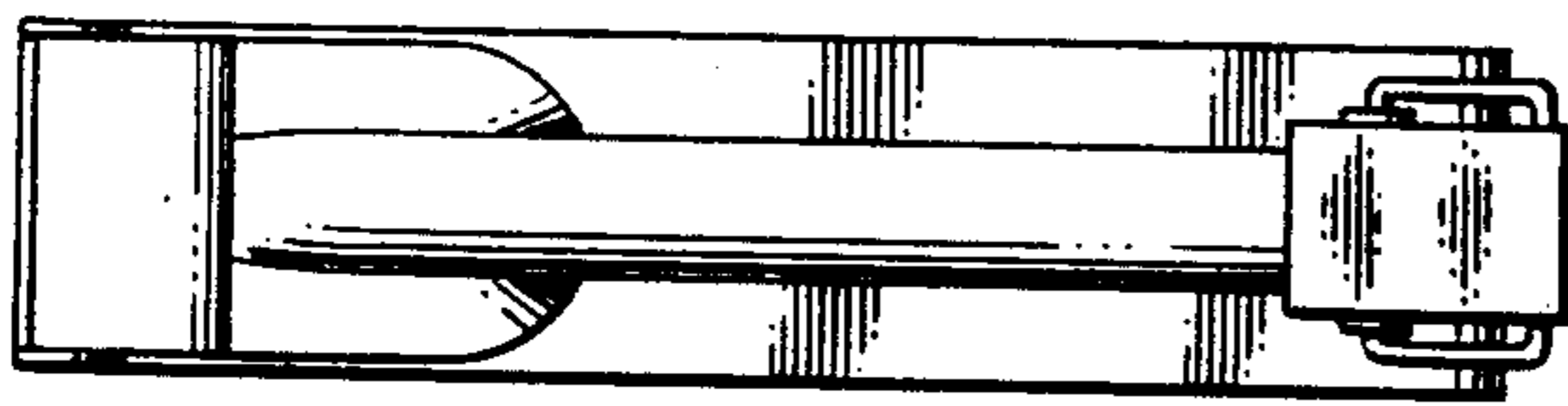
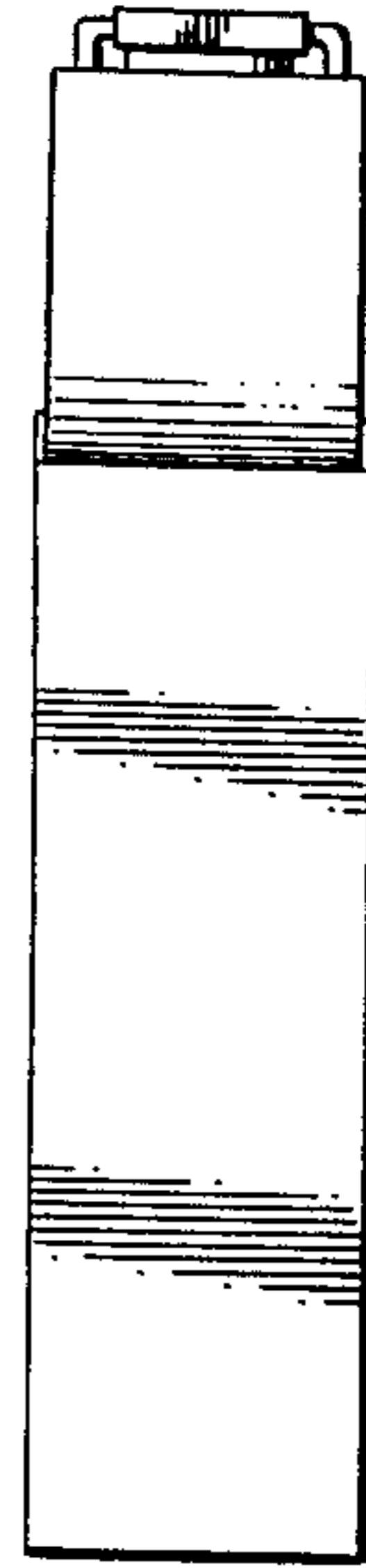


FIG. 5

FIG. 6

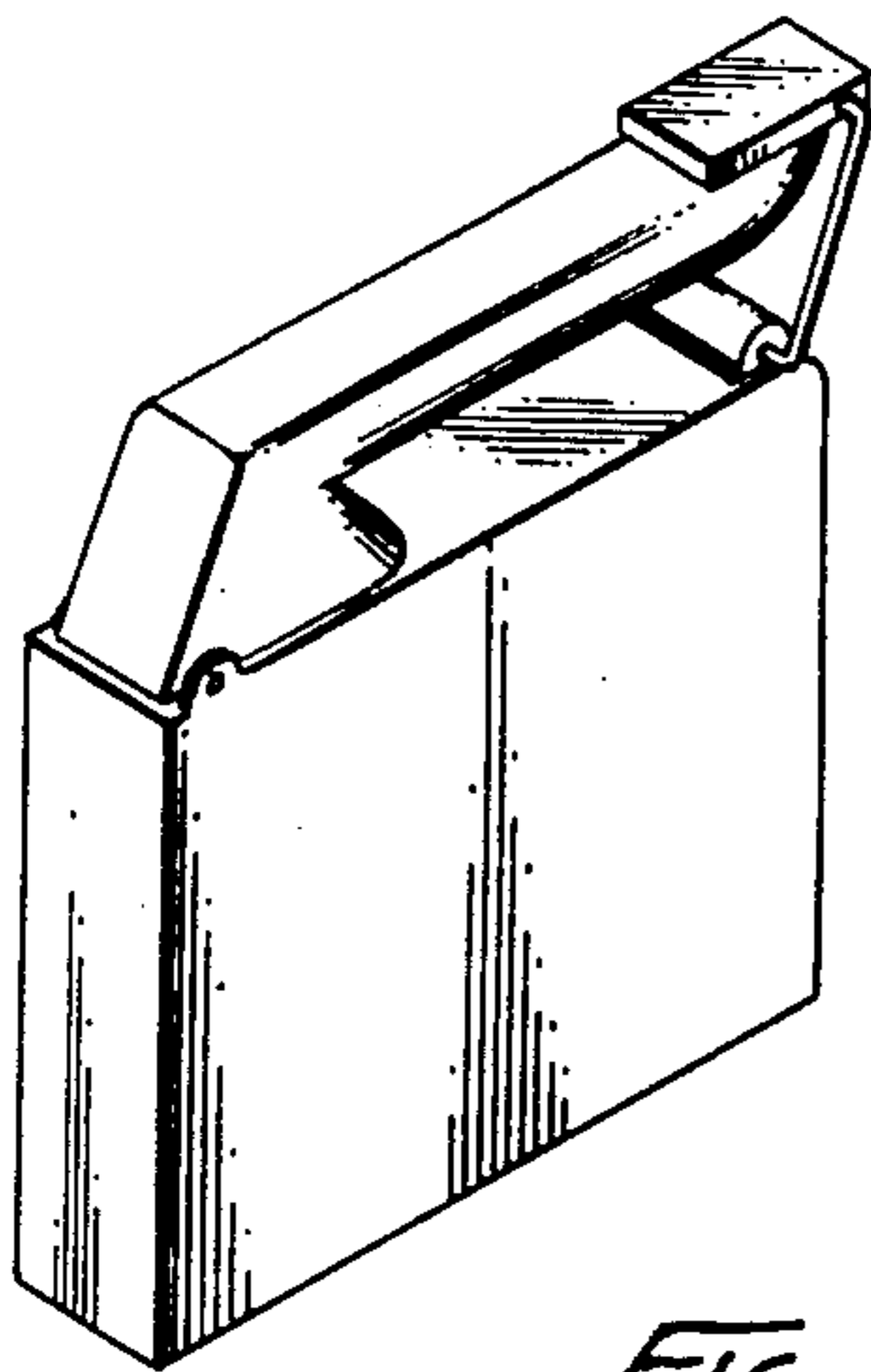


FIG. 1

