

[54] ROOFING SAFETY BRACKET

[76] Inventors: John H. Glynn, 7 Richgrove Dr., Apt. 1006; Patrick J. Glynn, 21 Richgrove Dr., Apt. 712, both of Weston, Ontario, Canada, M9R 2L2

[**] Term: 14 Years

[21] Appl. No.: 897,570

[22] Filed: Apr. 18, 1978

[51] Int. Cl. D8-08

[52] U.S. Cl. D8/356; D8/349; D8/366

[58] Field of Search 248/536, 300, 237, 228; 182/45, 3; 403/232.1, 188; 52/714, 715, 712, 82, 187; 16/93 DS; 174/135; D8/349, 354, 380, 381, 394, 366

[56]

References Cited

U.S. PATENT DOCUMENTS

1,848,085 3/1932 Eisenschmidt D8/380 X
3,633,325 1/1972 Bartol 52/82 X
4,081,940 4/1978 Hughes 52/712

FOREIGN PATENT DOCUMENTS

612448 4/1935 Fed. Rep. of Germany 182/45

Primary Examiner—A. Hugo Word

Attorney, Agent, or Firm—Peter W. McBurney

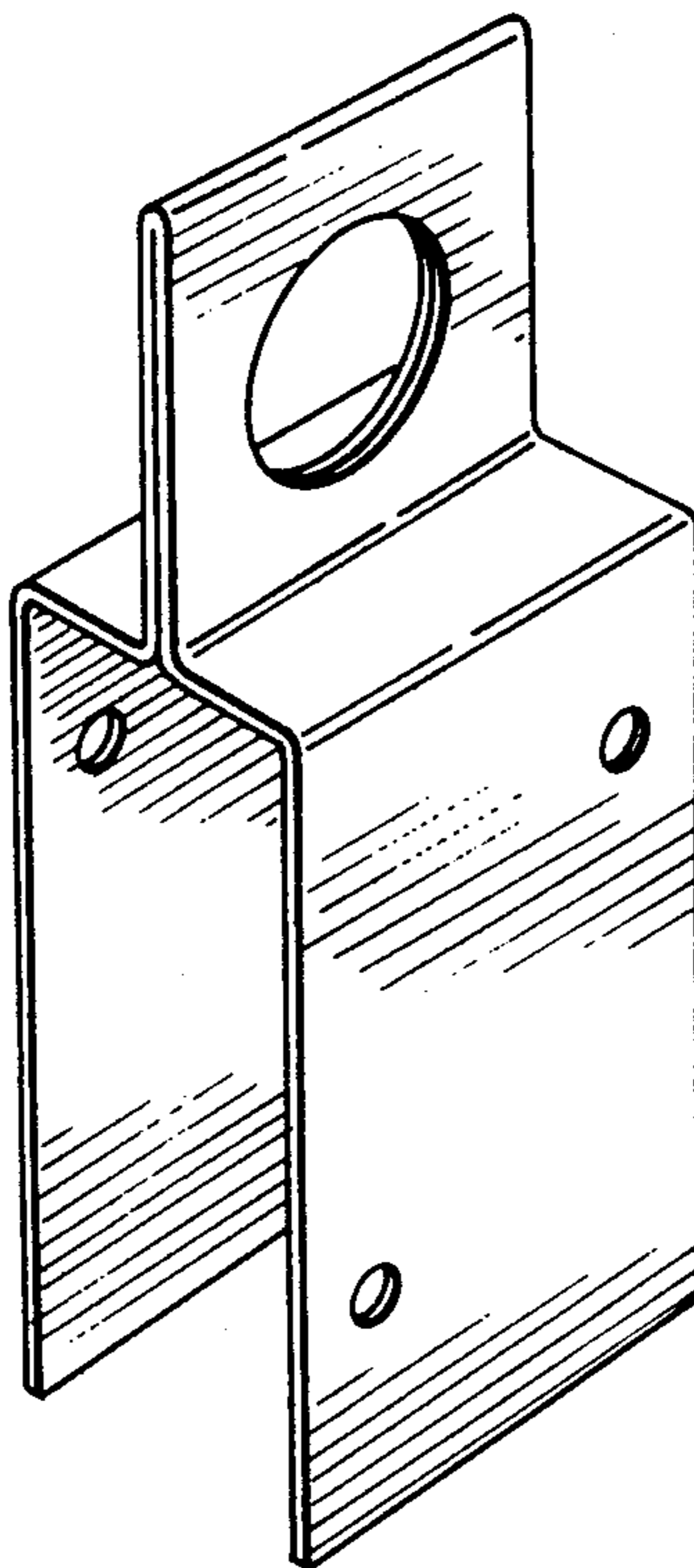
[57]

CLAIM

The ornamental design for a roofing safety bracket, as shown.

DESCRIPTION

FIG. 1 is a perspective view of a roofing safety bracket showing our design, seen obliquely from above; FIG. 2 is another perspective view thereof, seen obliquely from below; and FIG. 3 is a side elevational view thereof.



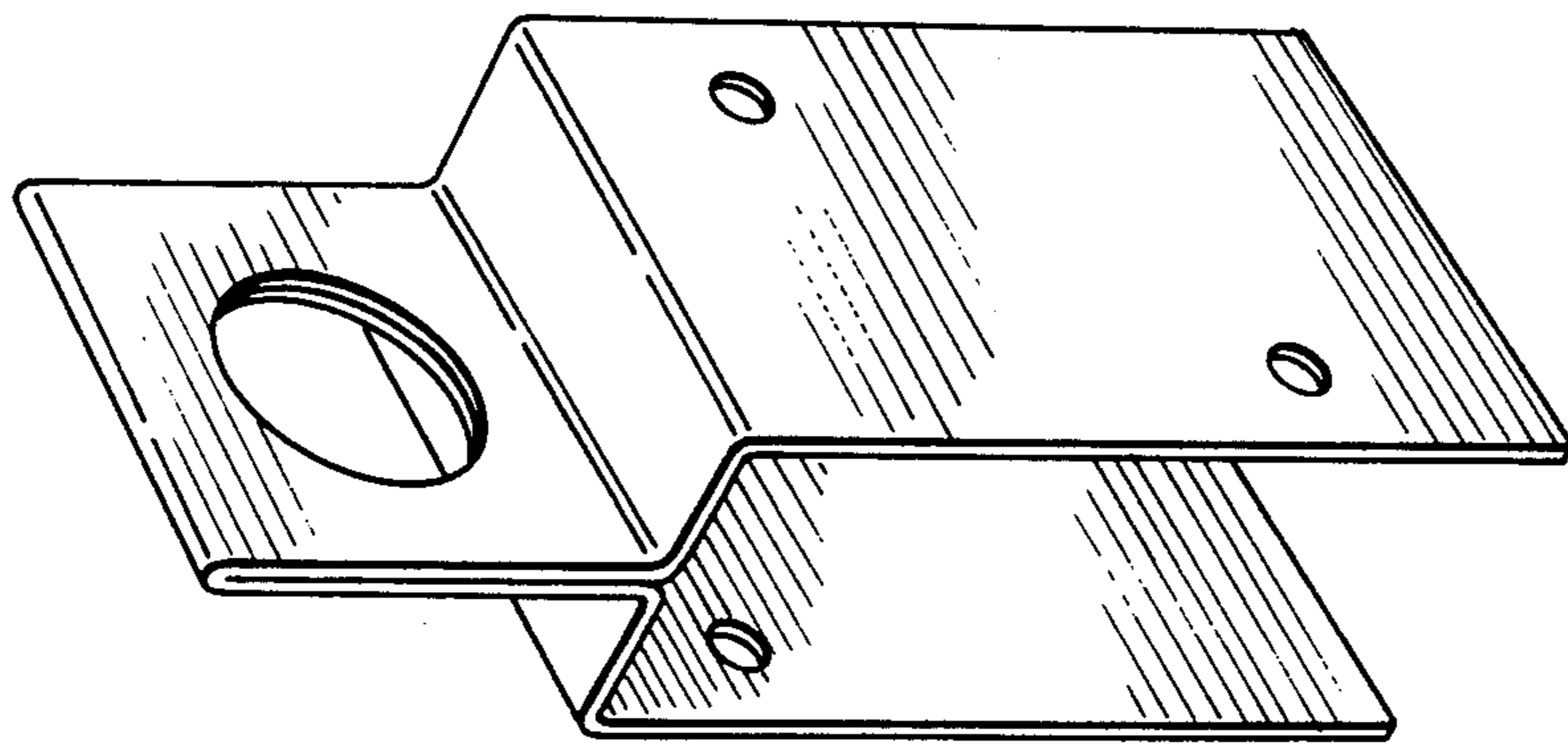


FIG. 1

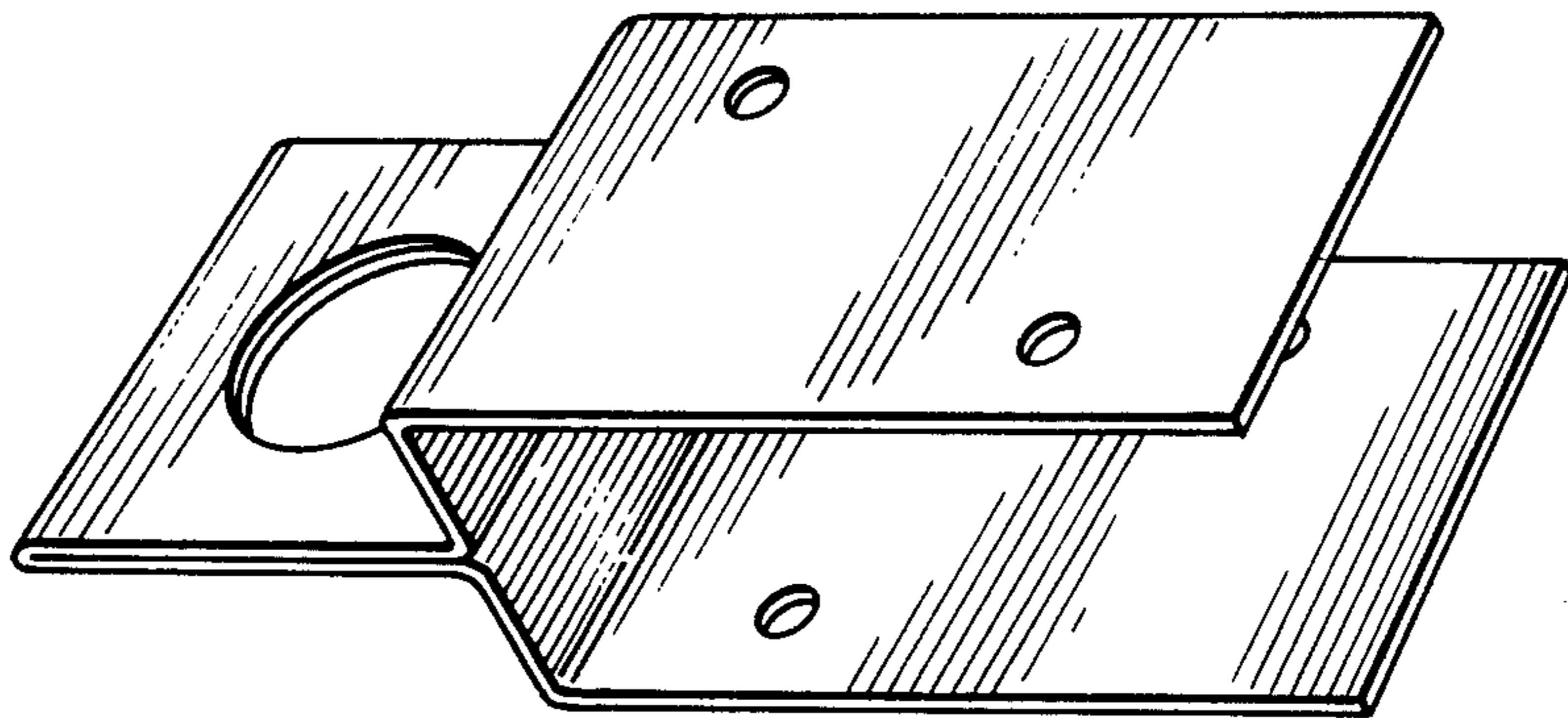


FIG. 2

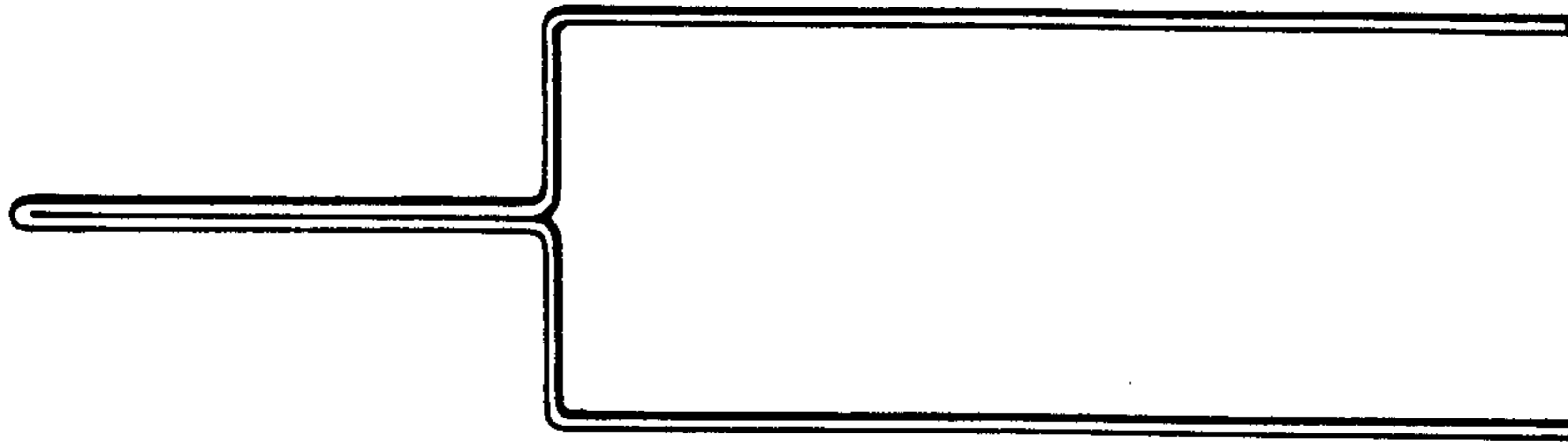


FIG. 3