

[54] AIR-OPERATED CLEANER

[76] Inventor: **Burton K. Bennett**, 2011 L W. Cone Blvd., Greensboro, N.C. 27408

[\*\*] Term: **14 Years**

[21] Appl. No.: **937,157**

[22] Filed: **Aug. 28, 1978**

[51] Int. Cl. .... **D7—05; D15—05**

[52] U.S. Cl. .... **D7/164; D15/55**

[58] Field of Search ..... **15/329, 344, 409, 415, 15/330, 345; D7/161, 164; D15/52, 55**

[56] **References Cited**

**U.S. PATENT DOCUMENTS**

D. 206,859	2/1967	Polizzi .....	D15/52
1,078,512	11/1913	Mills .....	15/409 X
2,051,717	8/1936	Jonsson et al. ....	15/409
2,856,205	10/1958	Coleman et al. ....	15/409 X

3,328,827 7/1967 Lake et al. .... 15/344

**FOREIGN PATENT DOCUMENTS**

508152 6/1939 United Kingdom ..... 15/409

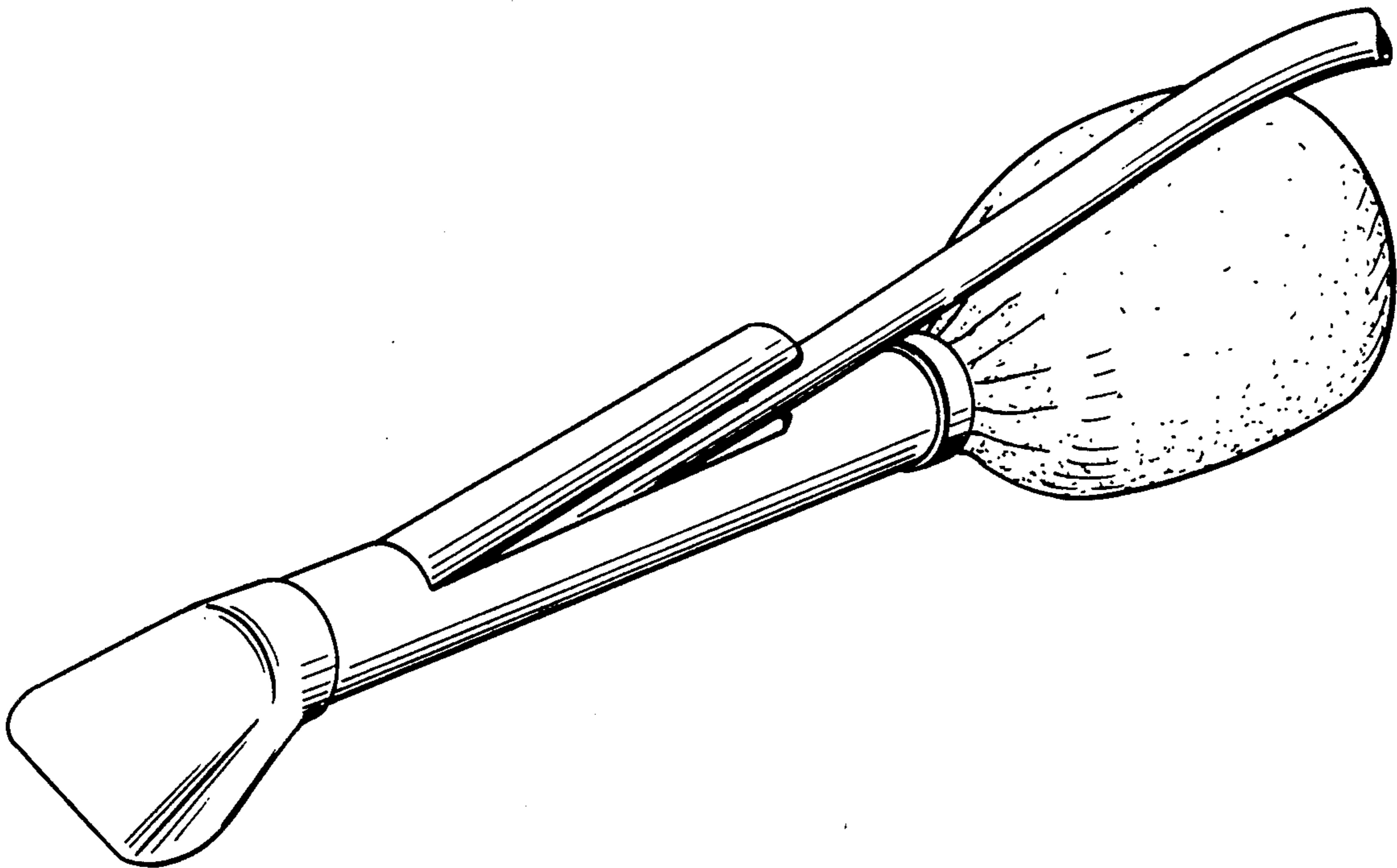
*Primary Examiner*—Catherine E. Kemper  
*Attorney, Agent, or Firm*—Walter Beavers

[57] **CLAIM**

The ornamental design for an air-operated cleaner, as shown and described.

**DESCRIPTION**

FIG. 1 is a perspective view of an air-operated cleaner showing my new design;  
FIG. 2 is a side elevational view the opposite side being a mirror image thereof;  
FIG. 3 is a front elevational view thereof;  
FIG. 4 is a top plan view thereof, and  
FIG. 5 is a bottom plan view thereof.  
The hose has been shown fragmentary in FIGS. 1, 2 and 4 for convenience of illustration.



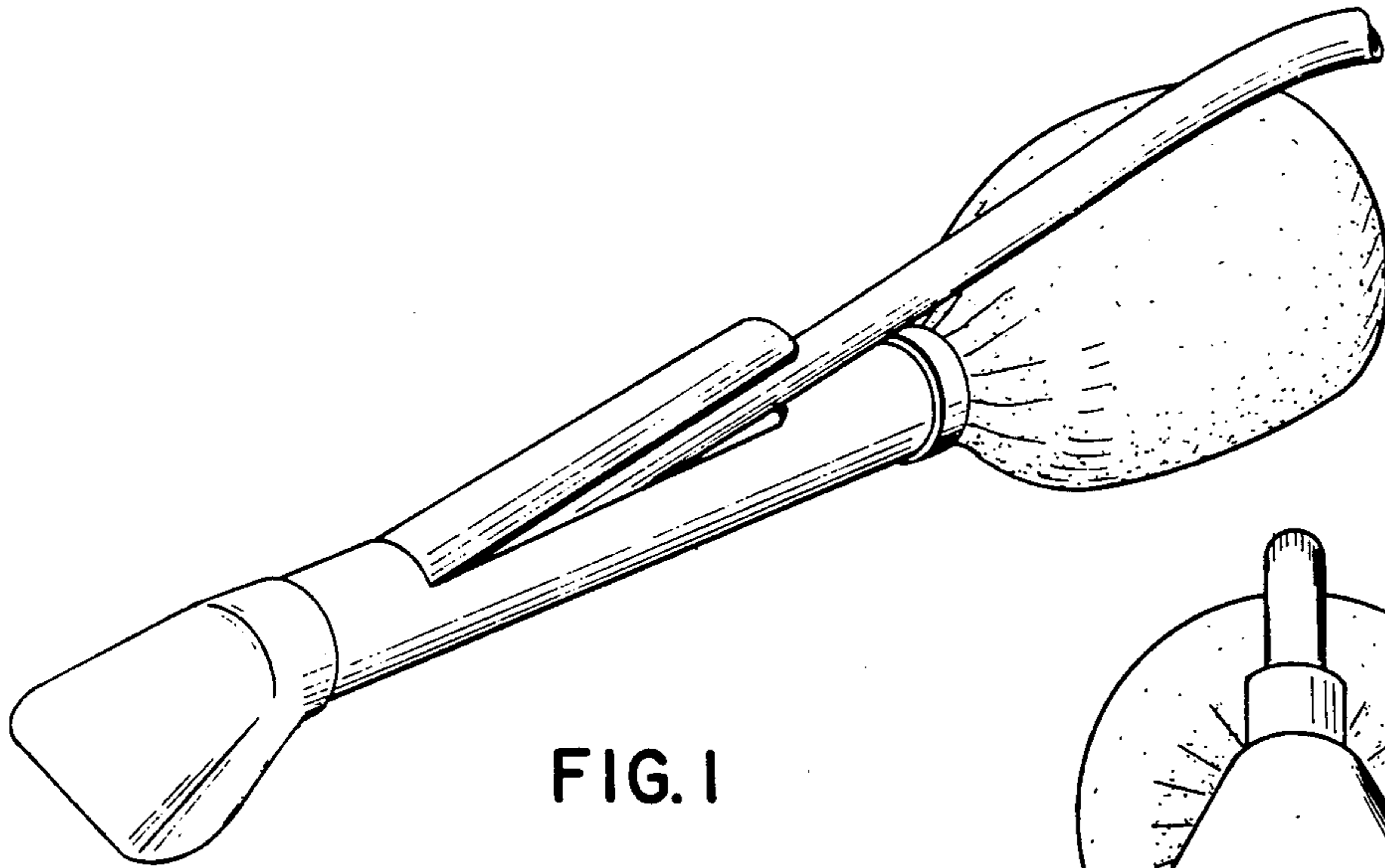


FIG. 1

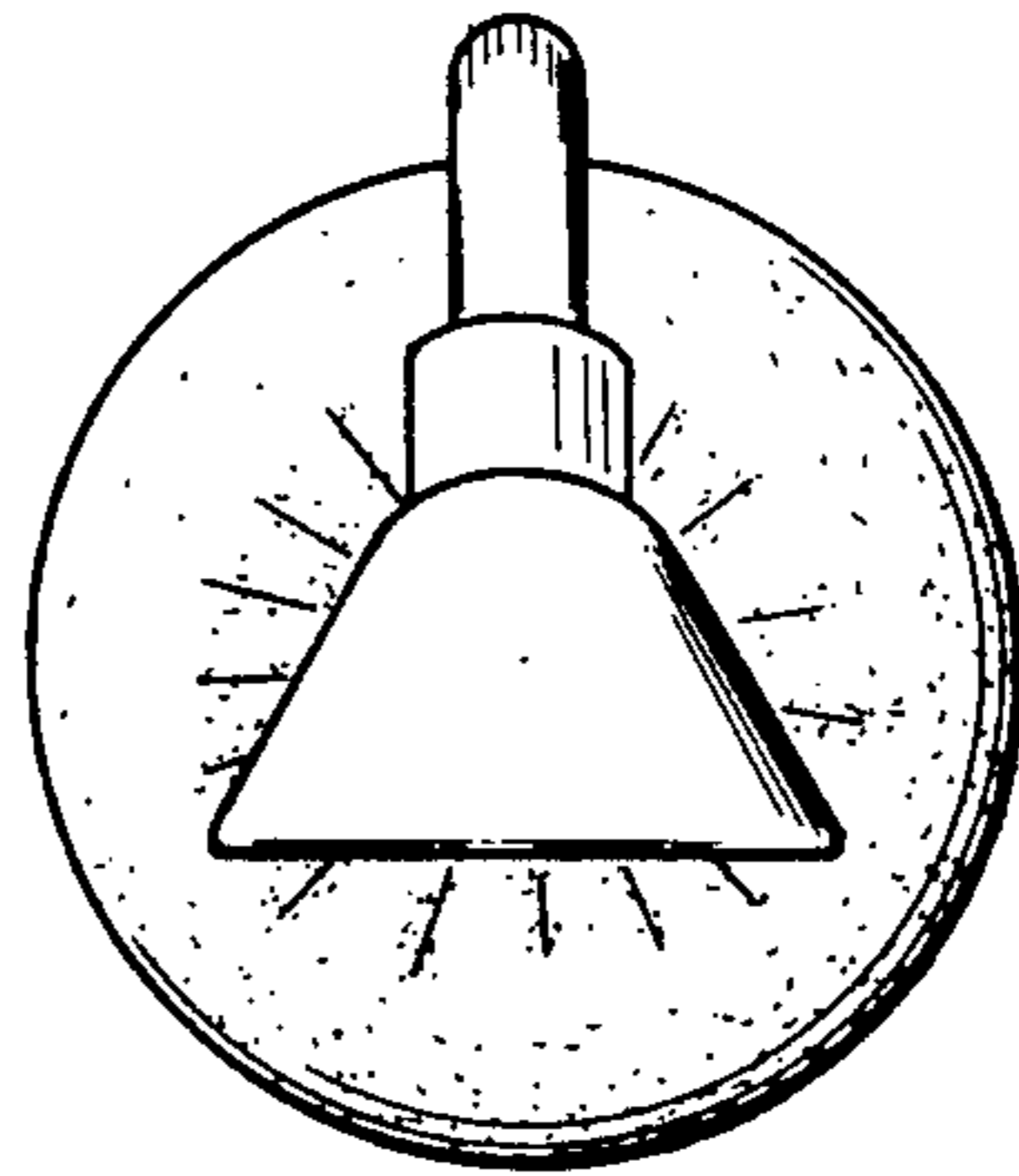


FIG. 3

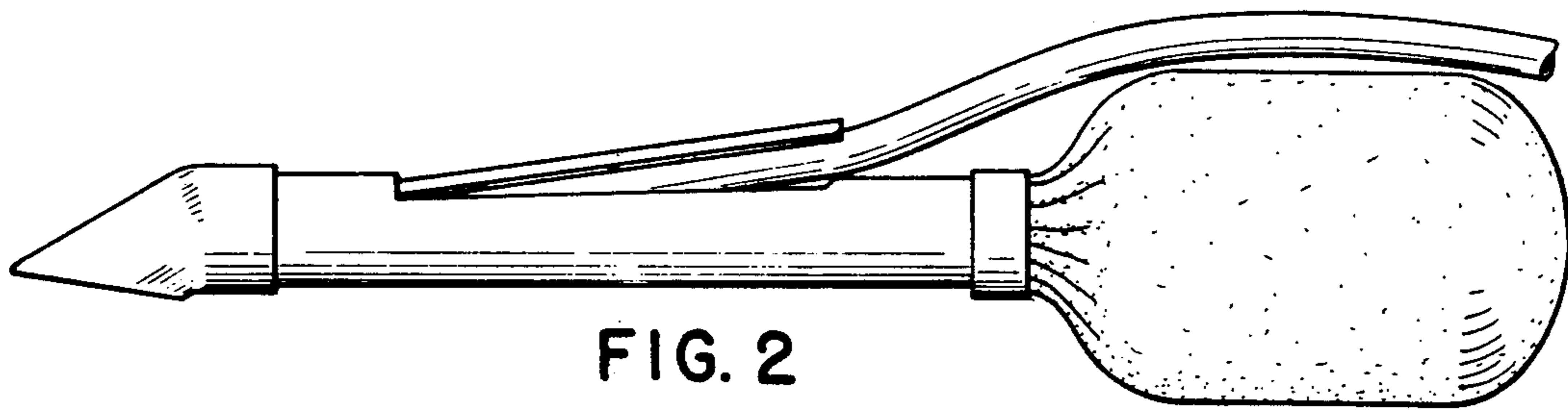


FIG. 2

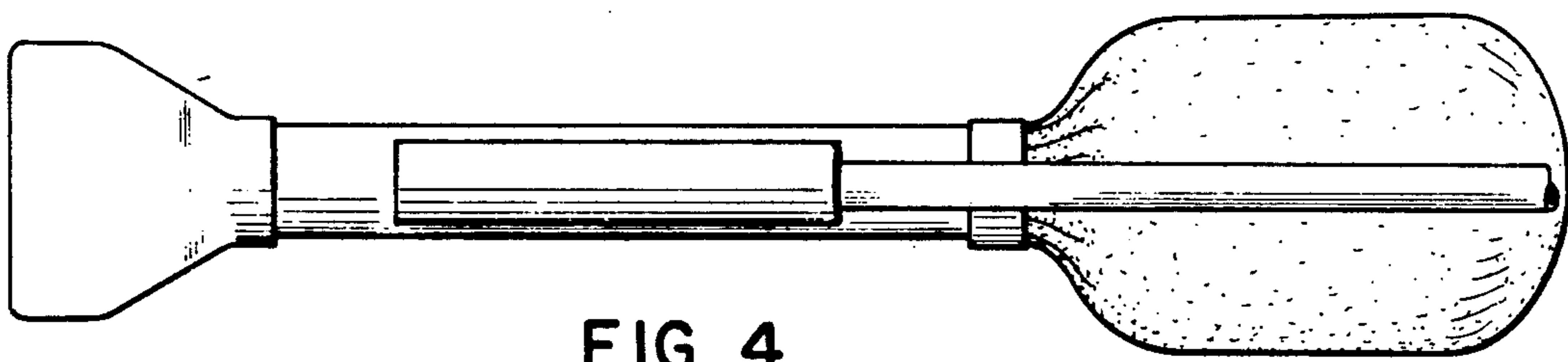


FIG. 4

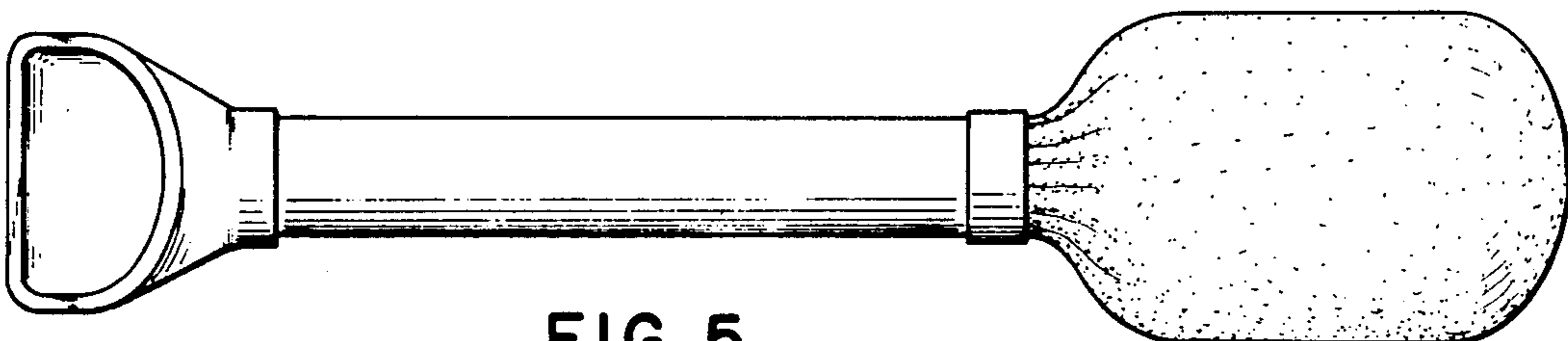


FIG. 5