

[54] TRANSPORTABLE OUTDOOR BARBECUE GRILL

D. 165,998 2/1952 Pollard ..... D7/108  
D. 250,317 11/1978 Simmons ..... D7/108  
D. 251,230 3/1979 Adams ..... D7/108

[76] Inventor: Ben F. Futch, P.O. Box 129, Valdosta, Ga. 31601

Primary Examiner—Catherine E. Kemper  
Attorney, Agent, or Firm—Edward Taylor Newton

[\*\*] Term: 14 Years

[57] CLAIM

[21] Appl. No.: 917,680

The ornamental design for a transportable outdoor barbecue grill, as shown and described.

[22] Filed: Jun. 21, 1978

[51] Int. Cl. .... D7—02

DESCRIPTION

[52] U.S. Cl. .... D7/108

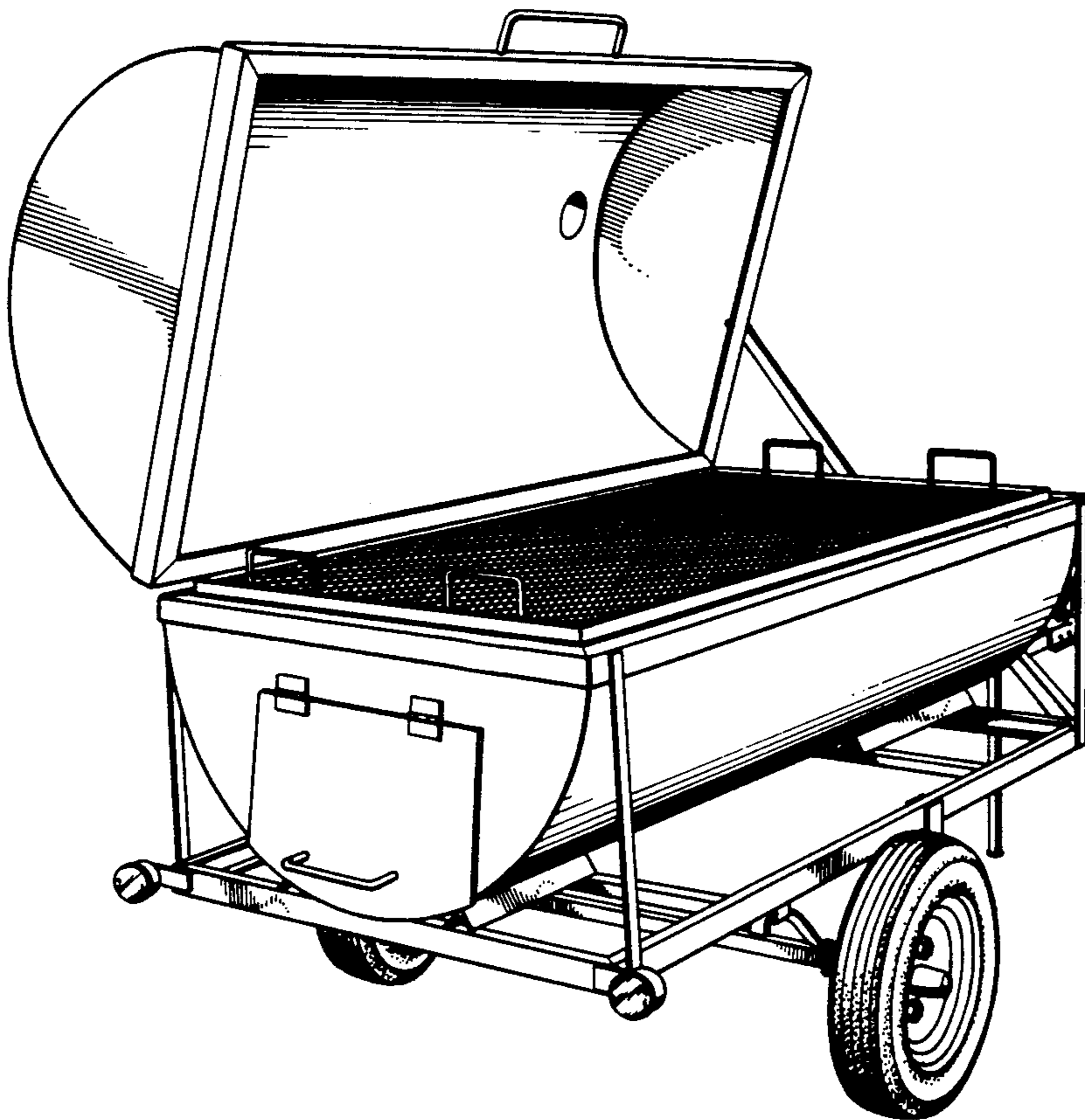
[58] Field of Search ..... D7/107, 108, 109, 110; D12/1, 22, 32-34, 25, 27, 28; 126/25 R, 25 A, 25 AA, 25 B, 25 C, 29, 30, 9 R, 9 A, 9 B, 268, 271, 276; 219/346, 386

FIG. 1 is a perspective view of a transportable outdoor barbecue grill, showing my new design;  
FIG. 2 is a rear elevational view, shown on a slightly smaller scale and shown with the grill cover closed;  
FIG. 3 is a front elevational view thereof;  
FIG. 4 is a side elevational view thereof;  
FIG. 5 is an elevational view of the opposite side thereof;  
FIG. 6 is a top plan view thereof.

[56] References Cited

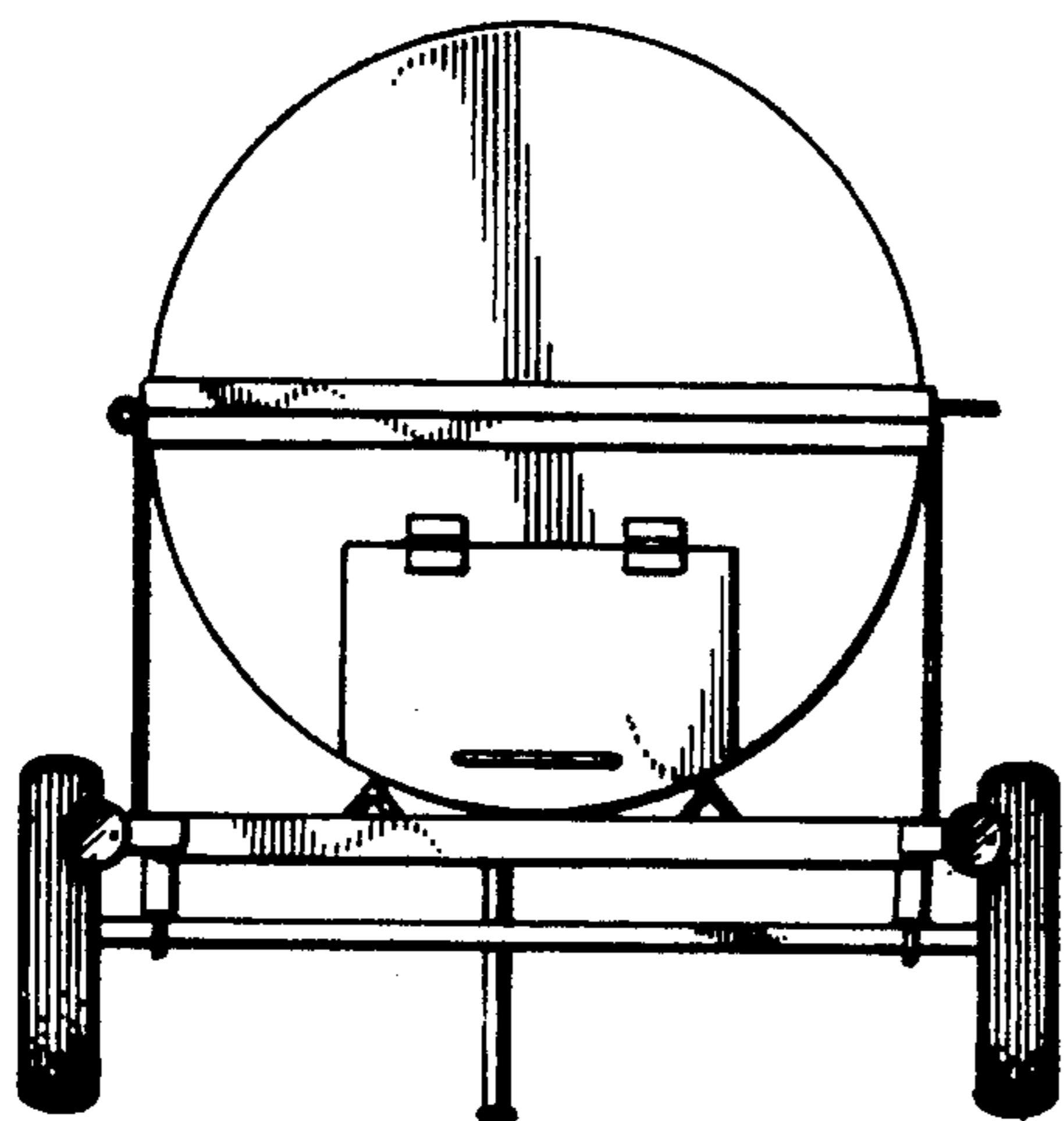
U.S. PATENT DOCUMENTS

D. 163,090 5/1951 Campbell ..... D7/108

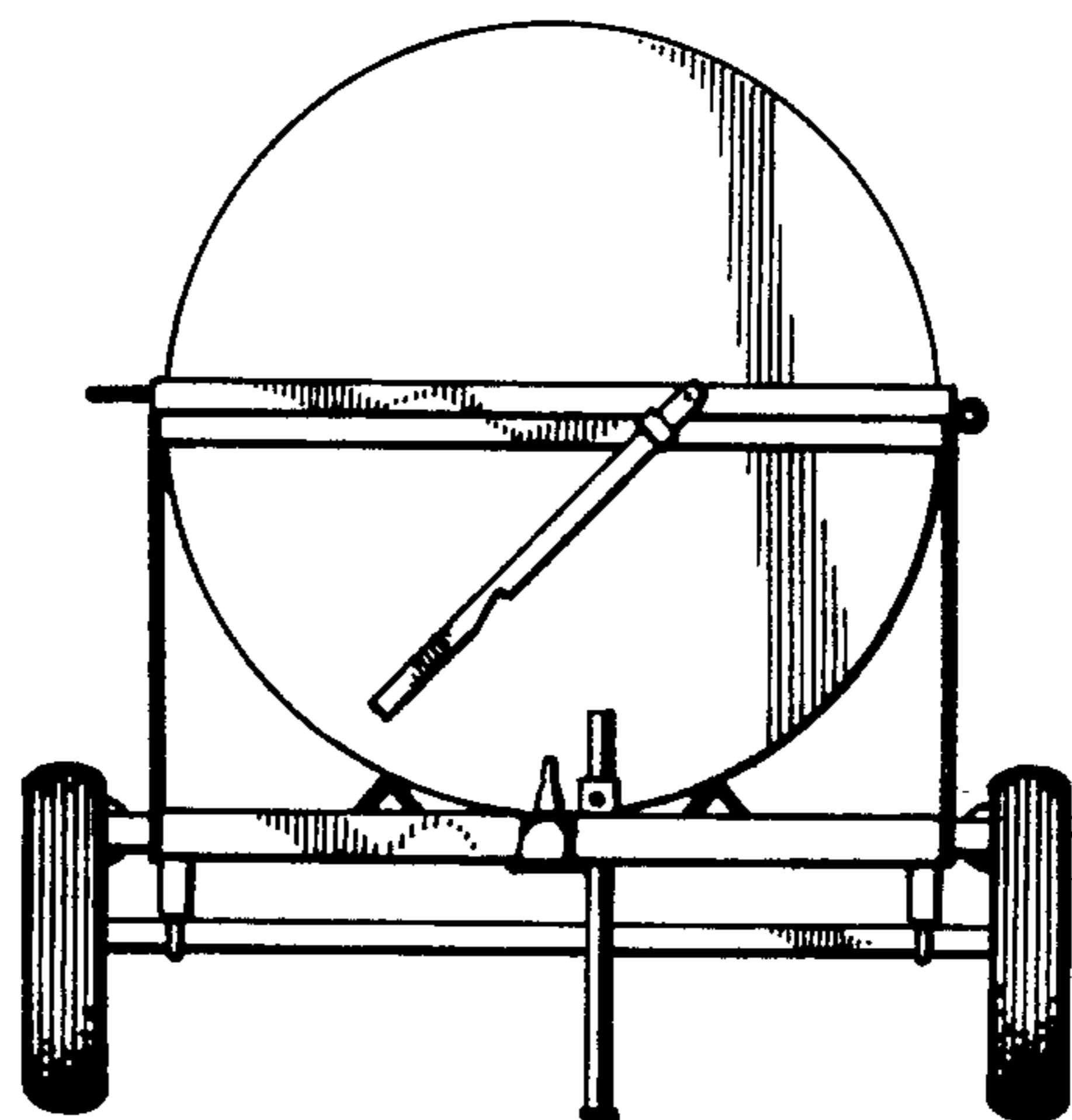




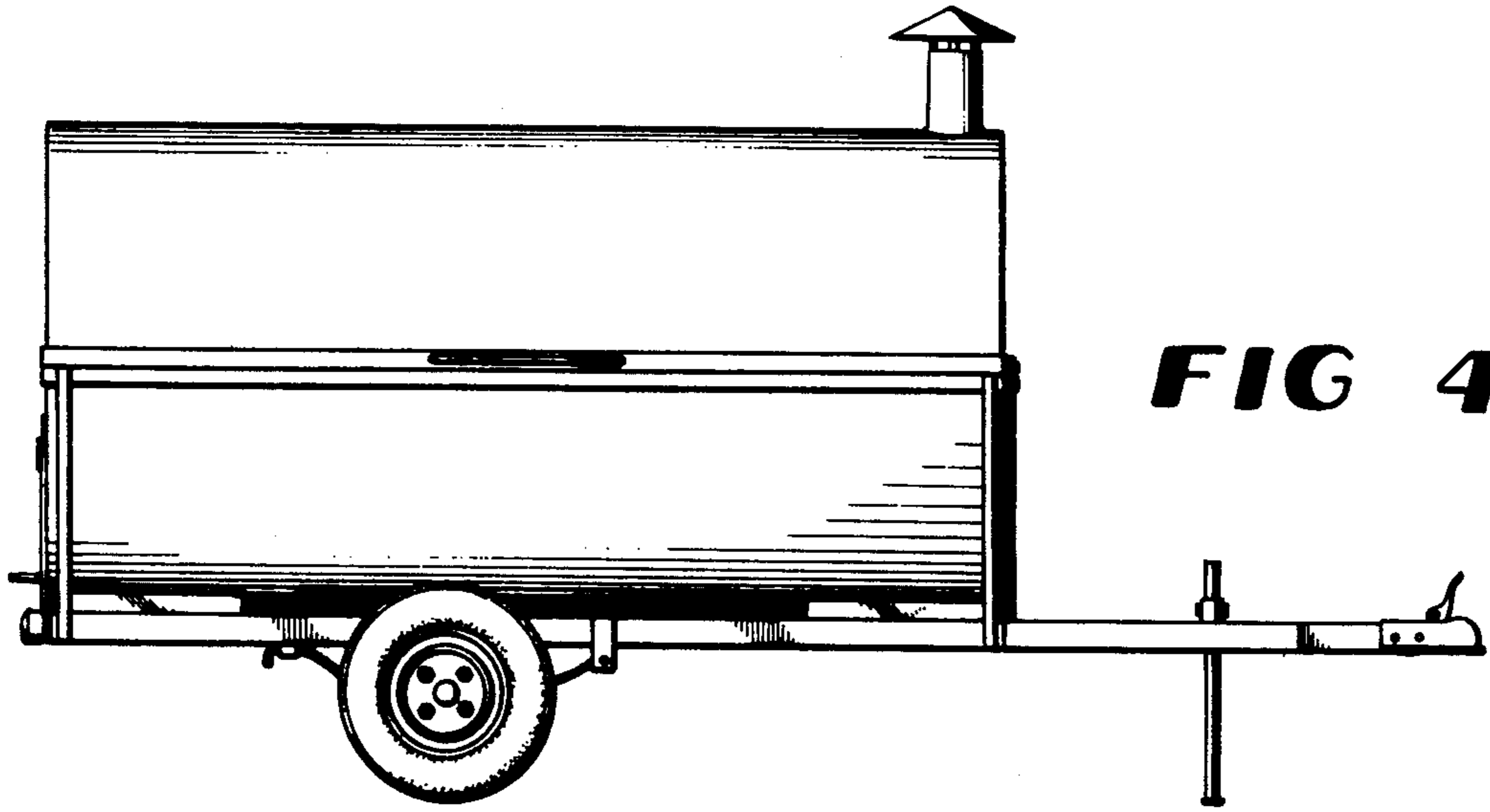
**FIG 1**



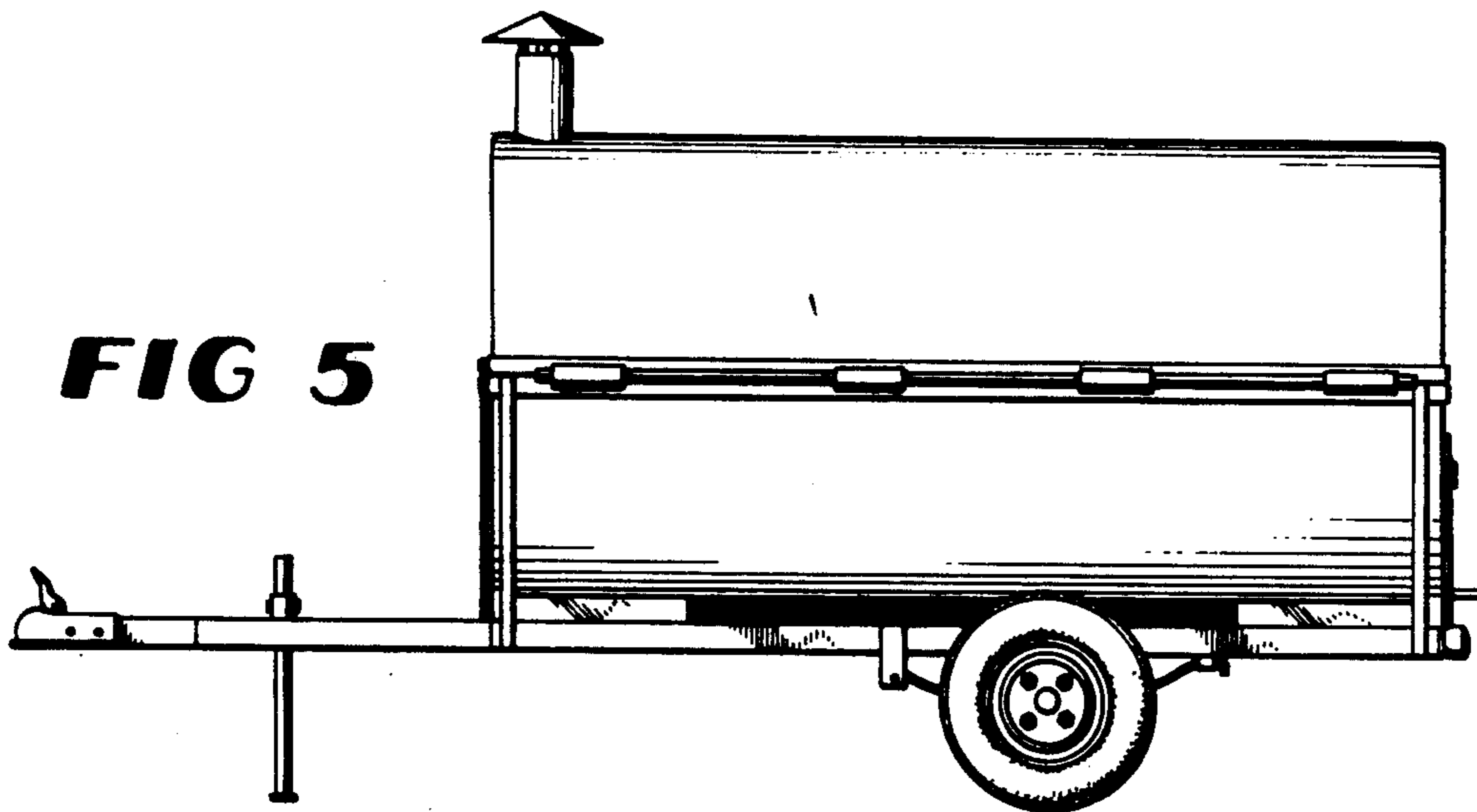
**FIG 2**



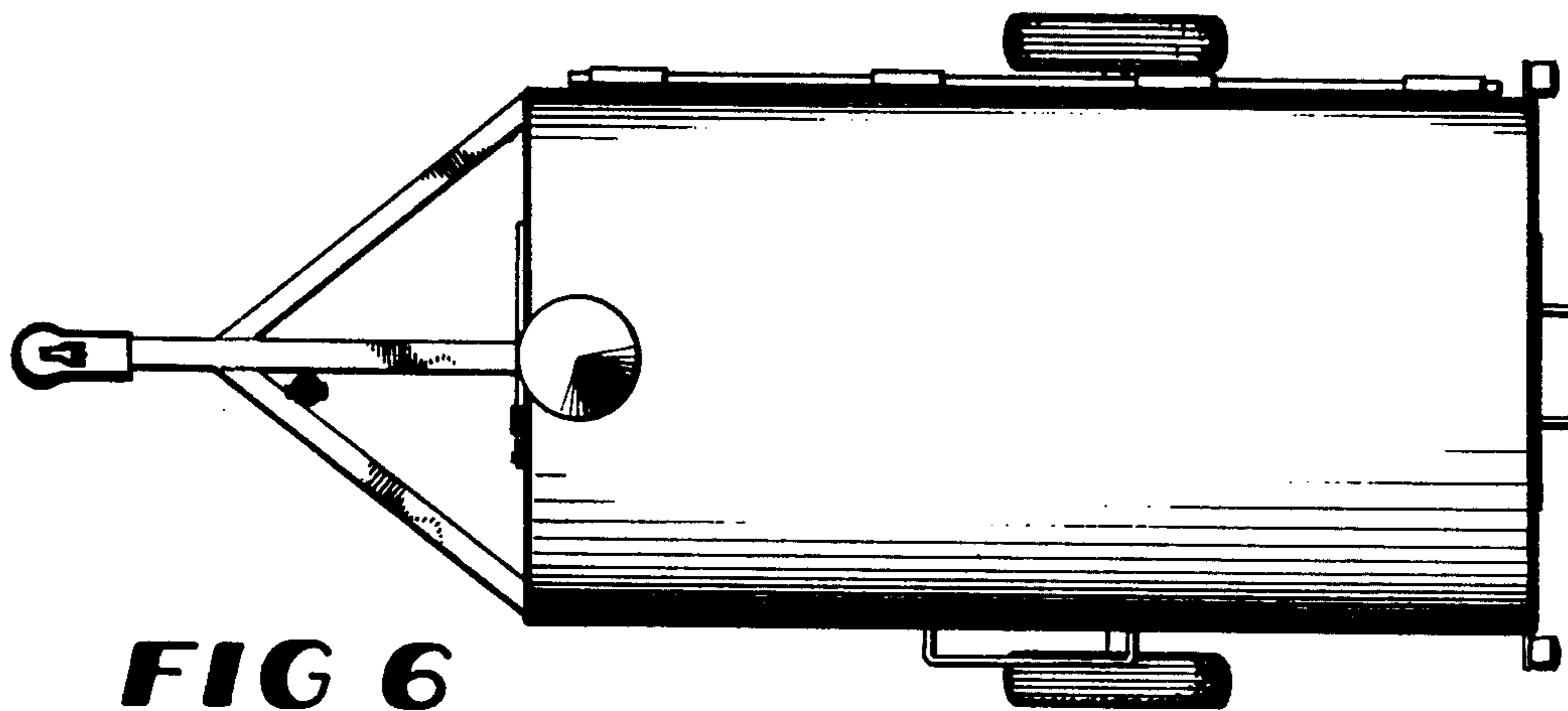
**FIG 3**



**FIG 4**



**FIG 5**



**FIG 6**