

[54] **BATTERY-OPERATED LIGHT**

[76] **Inventor:** **Knut O. Sassmannshausen, D-6580**
Idar-Oberstein, Rothenbach, Fed.
Rep. of Germany

[**] **Term:** **14 Years**

[21] **Appl. No.:** **819,381**

[22] **Filed:** **Jul. 27, 1977**

[30] **Foreign Application Priority Data**
 Jan. 28, 1977 [DE] Fed. Rep. of Germany 1436

[51] **Int. Cl.** **D26-02**
 [52] **U.S. Cl.** **D26/37**
 [58] **Field of Search** **D48/20 E, 20 K, 24 R,**
D48/24 A; 362/157, 184, 197

[56] **References Cited**
U.S. PATENT DOCUMENTS
 2,413,599 12/1946 Beck 362/157
 2,805,325 9/1957 Crawford D48/24 A

FOREIGN PATENT DOCUMENTS

1168881 9/1958 France 362/184
 429239 1/1948 Italy 362/184
 298030 11/1965 Netherlands 362/197

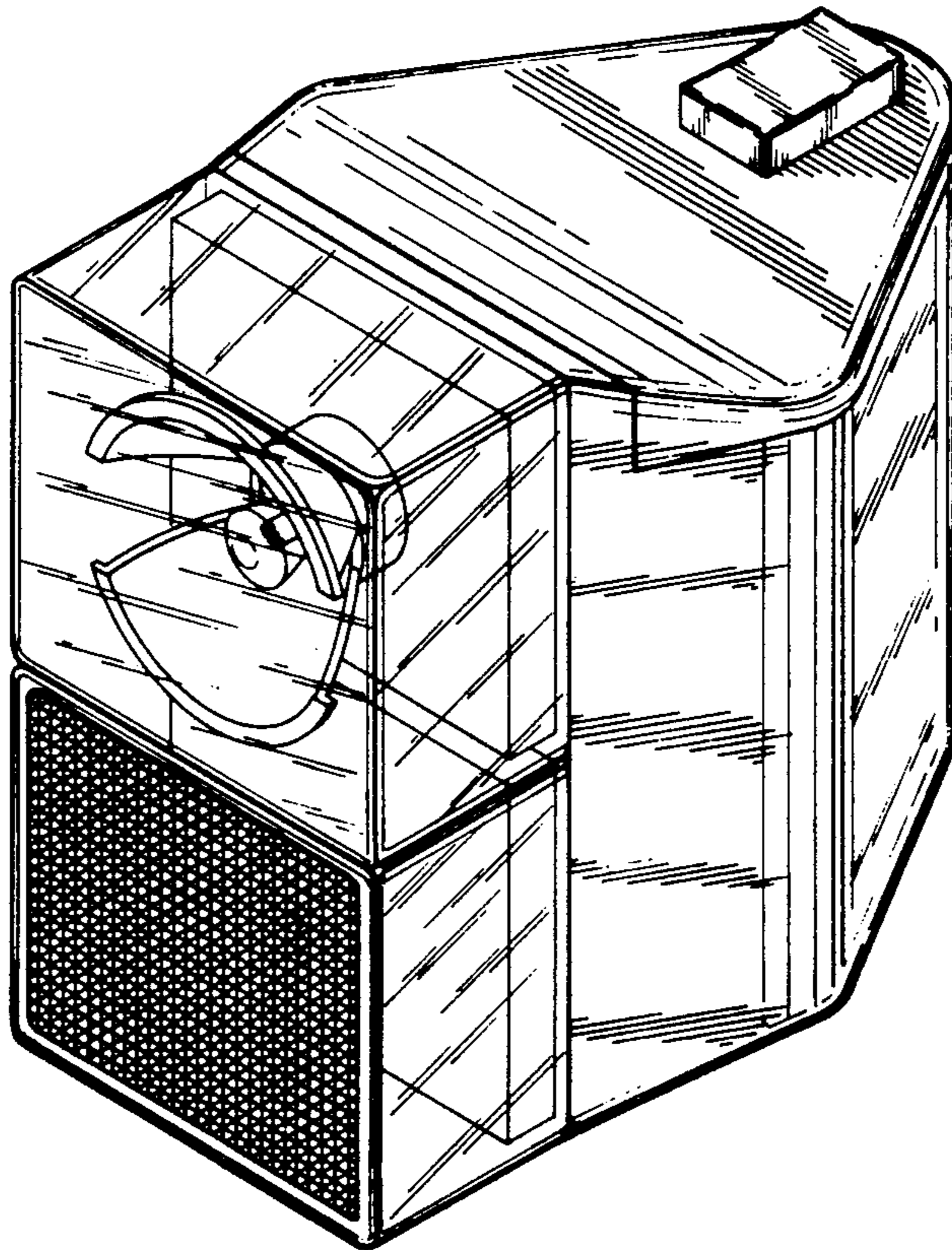
Primary Examiner—Susan J. Lucas
Attorney, Agent, or Firm—Herbert L. Lerner

[57] **CLAIM**

The ornamental design for a battery-operated light, as shown and described.

DESCRIPTION

FIG. 1 is a perspective view of one embodiment of the battery-operated light according to the invention; FIGS. 2, 3 and 4 are top plan, side elevational, and bottom plan views, respectively, of the embodiment of FIG. 1; FIGS. 5 and 6 are front and rear elevational views, respectively, of the embodiment of FIGS. 1 to 4; FIG. 7 is a perspective view of another embodiment of the battery-operated lights; FIGS. 8, 9 and 10 are top plan, side elevational and bottom plan views, respectively, of the embodiment of FIG. 7; and FIGS. 11 and 12 are front and rear elevational views, respectively, of the embodiment of FIGS. 7 to 10.



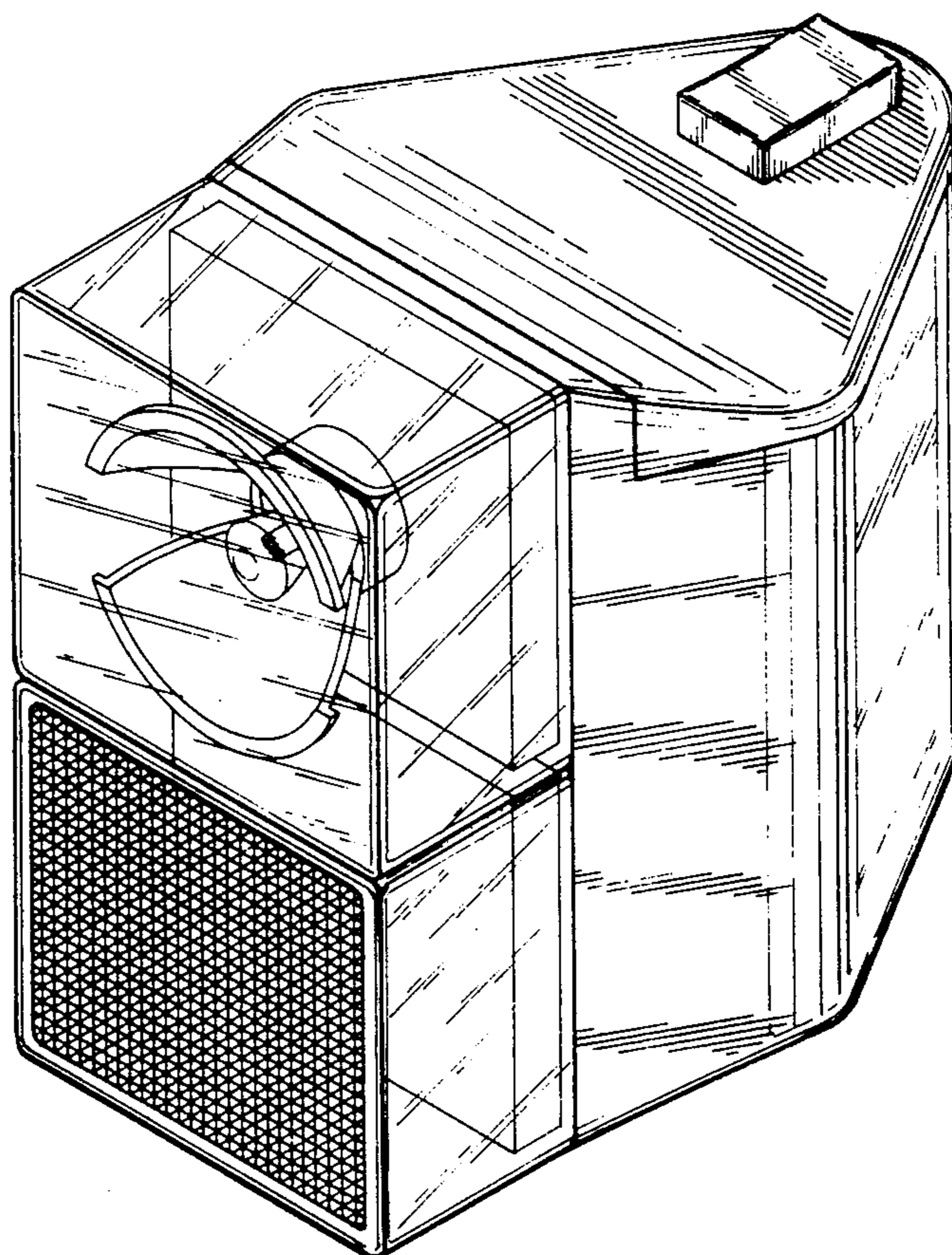


FIG. 1

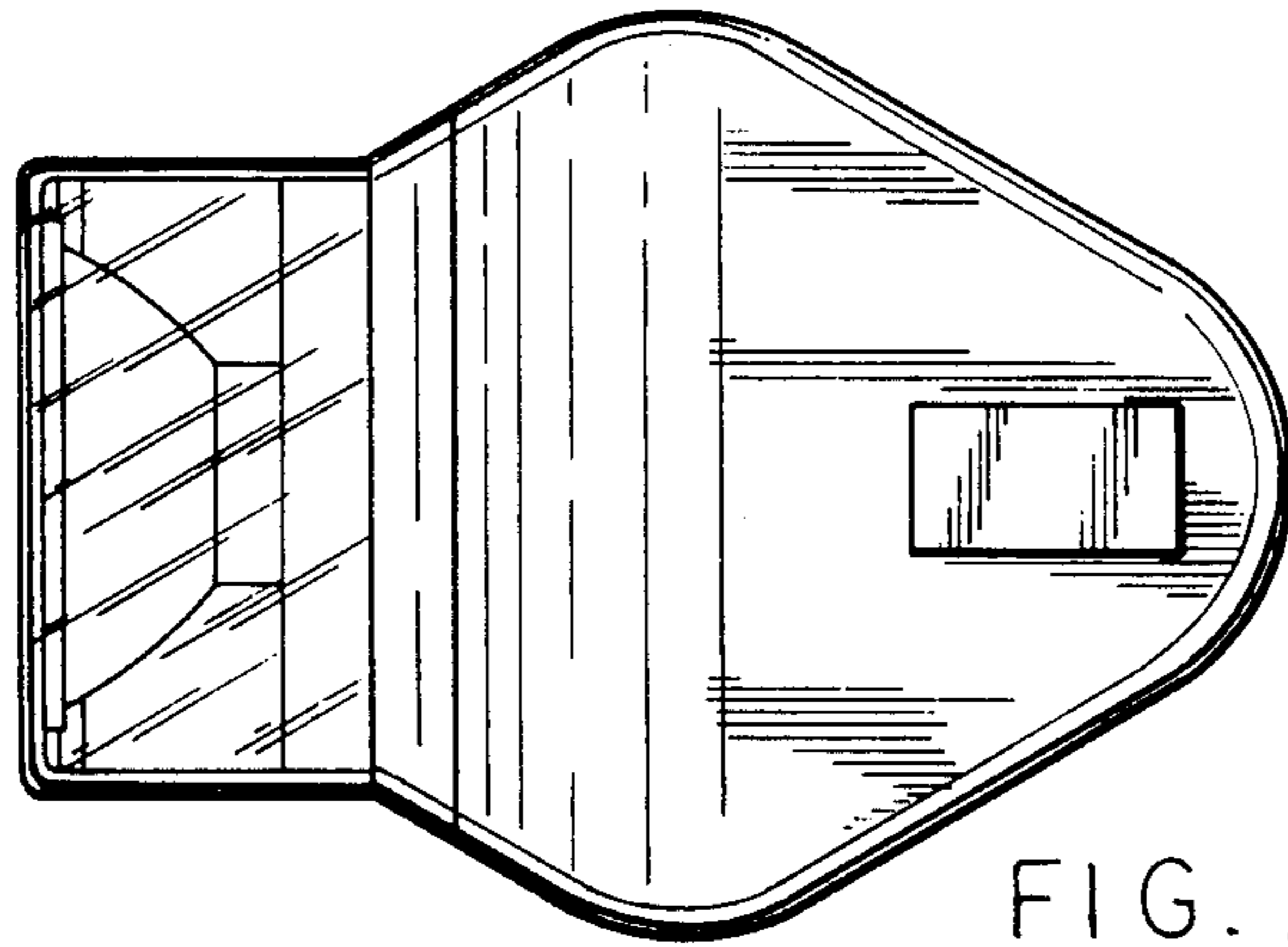


FIG. 2

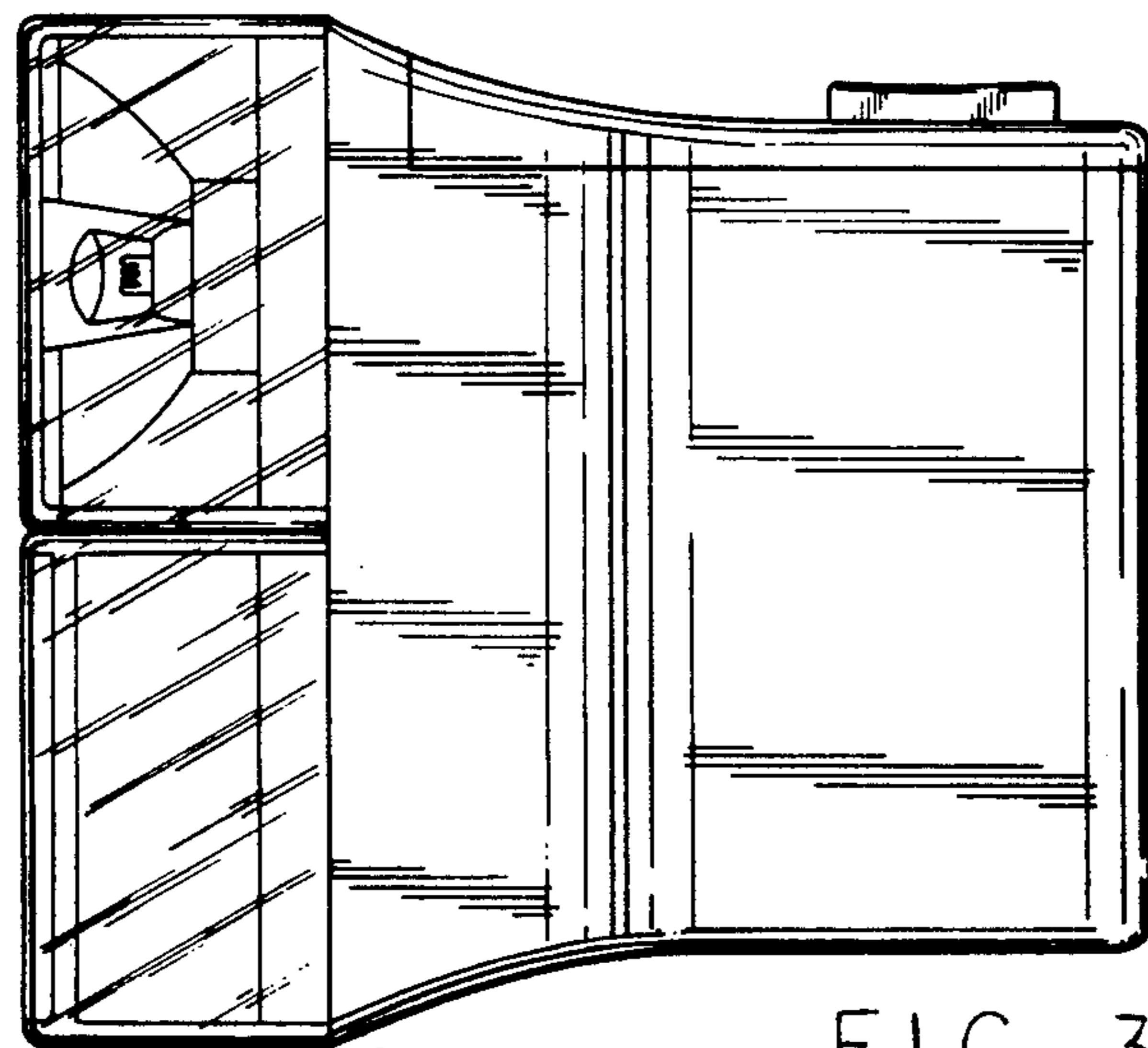


FIG. 3

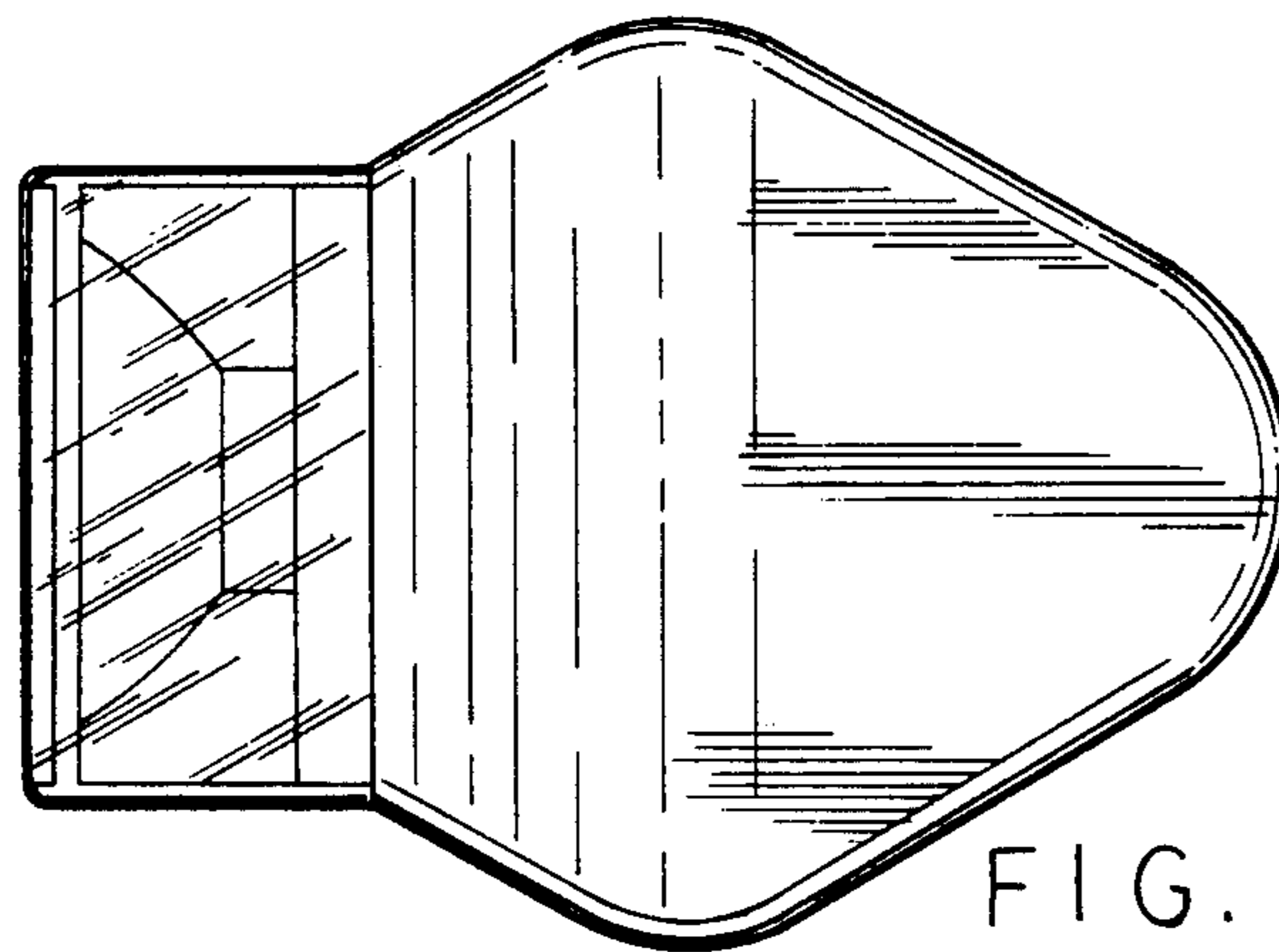


FIG. 4

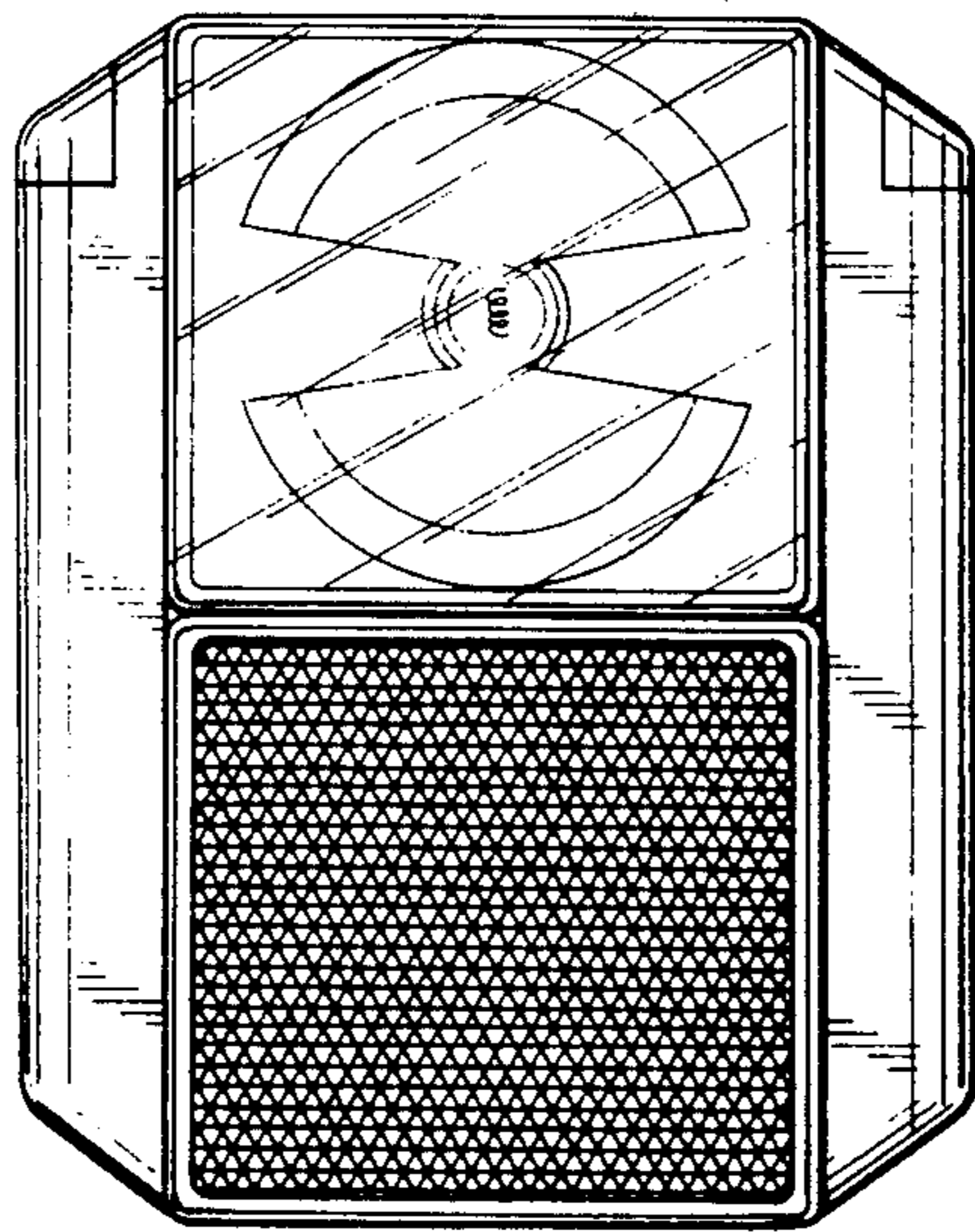


FIG. 5

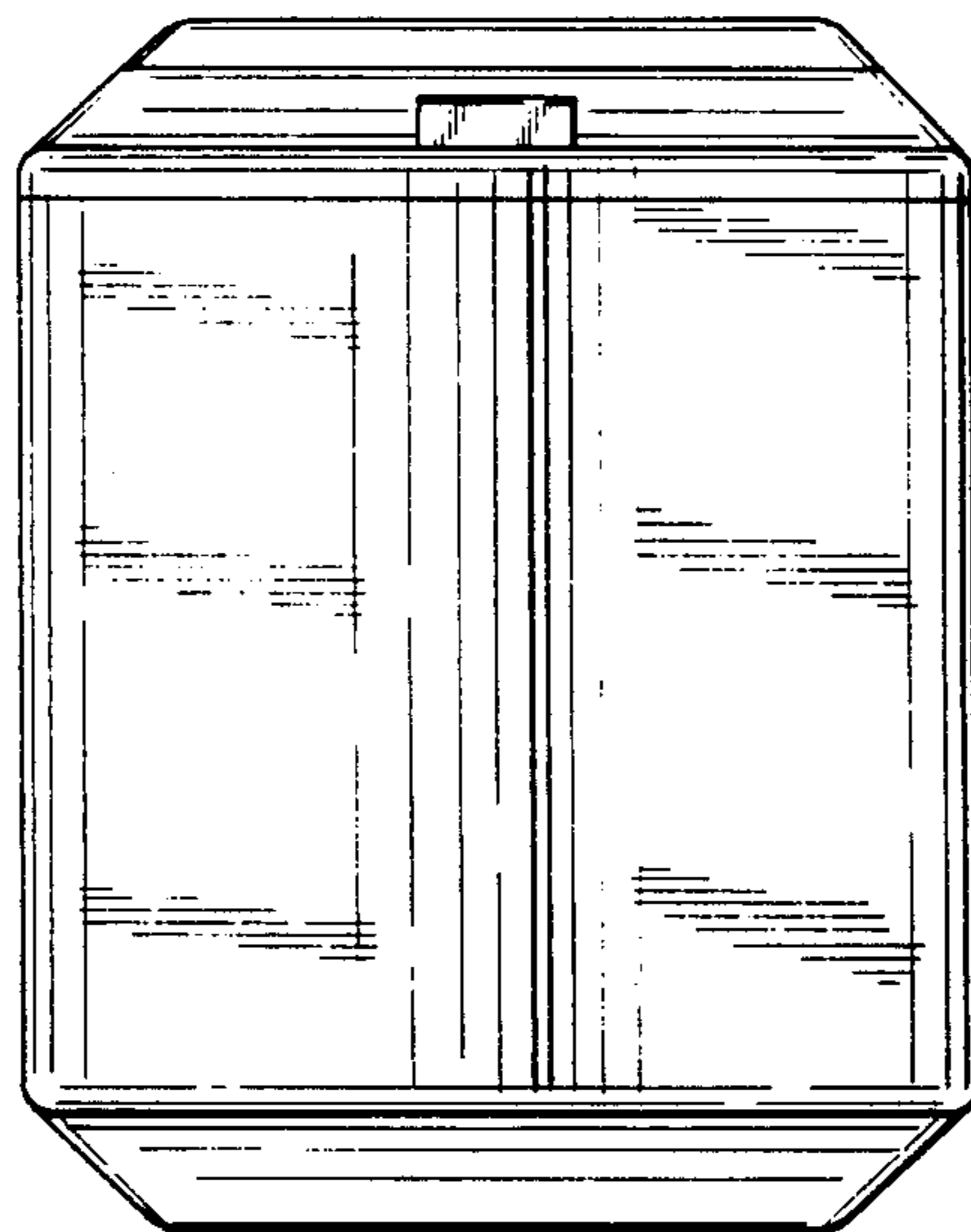


FIG. 6

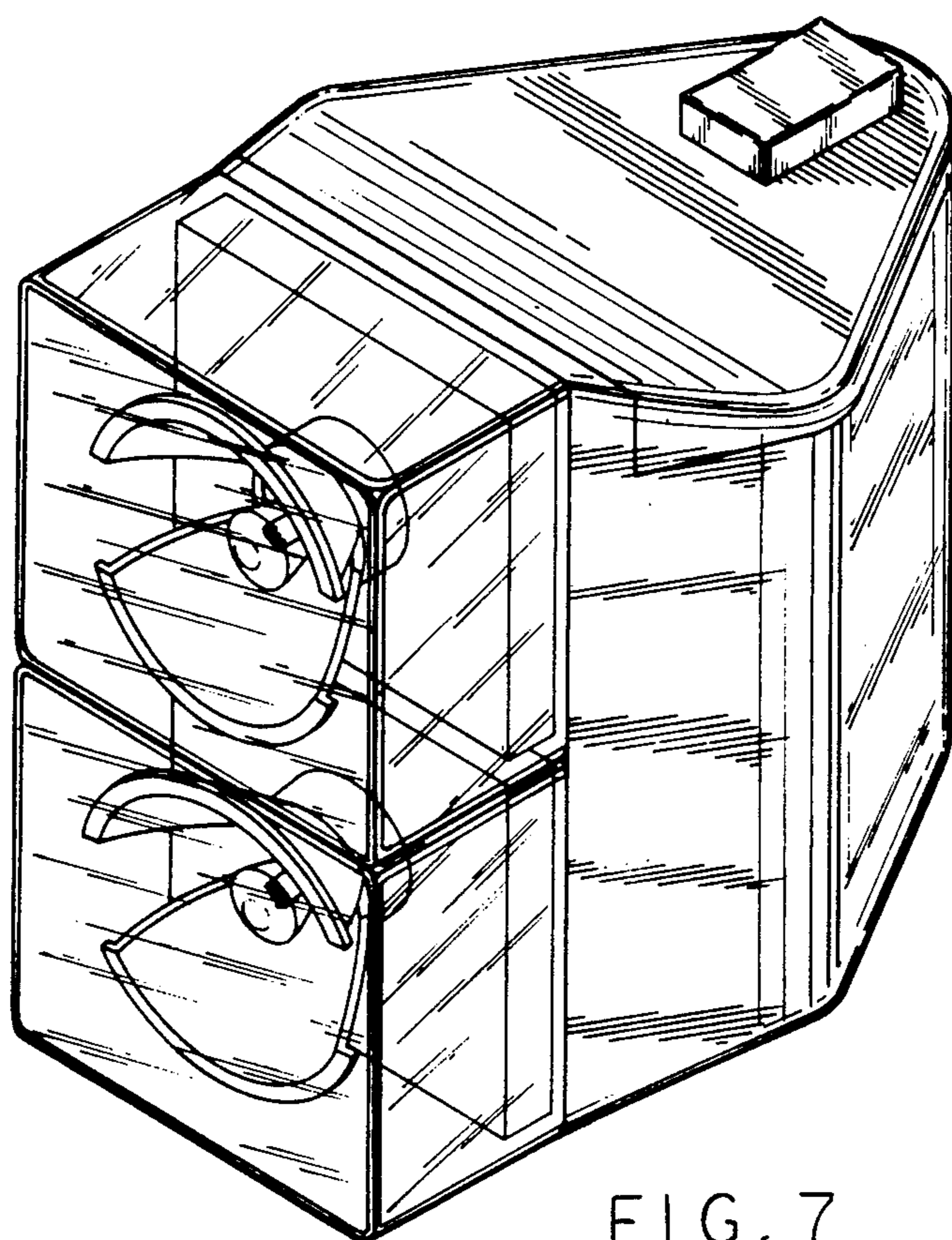


FIG. 7

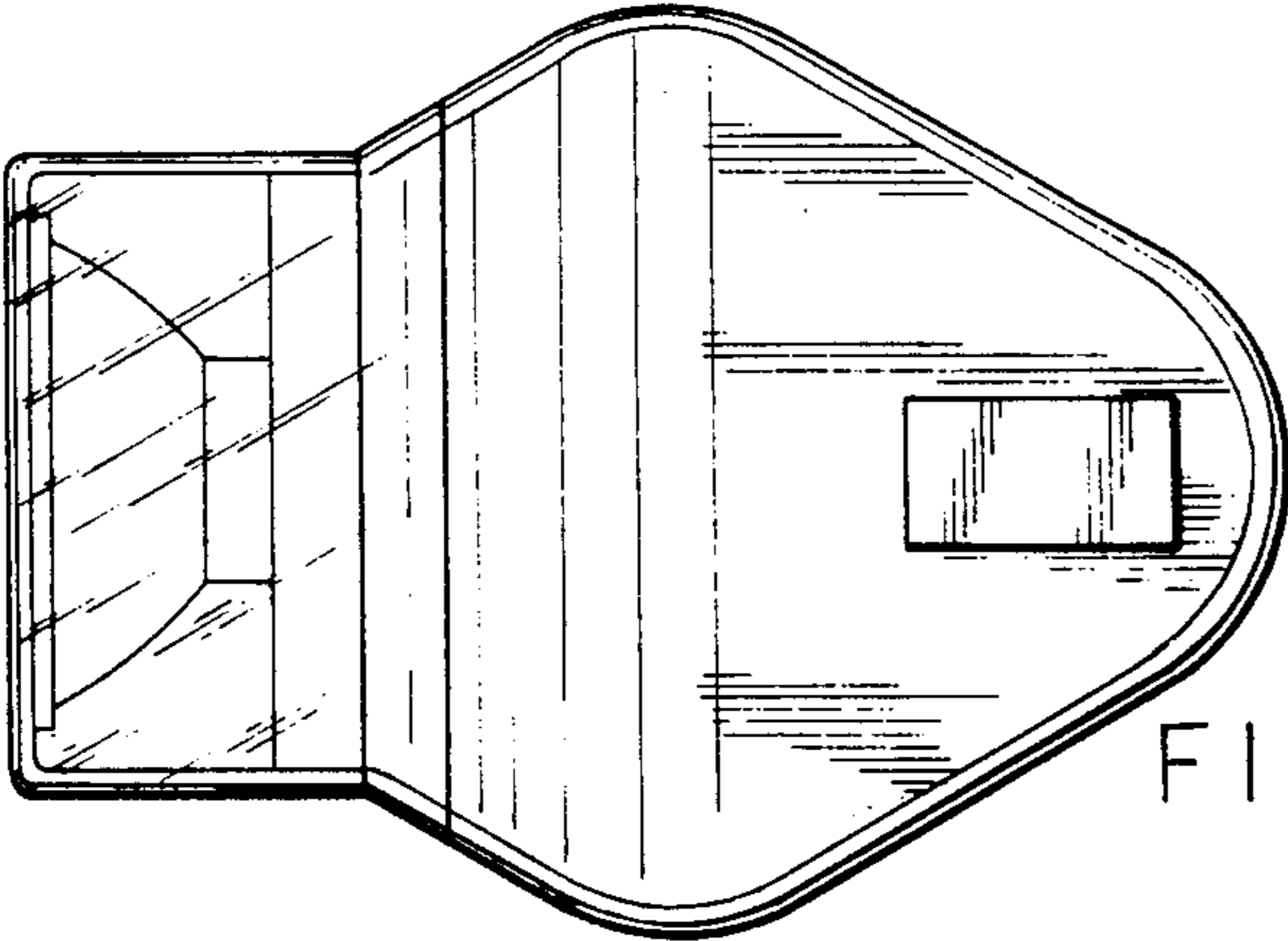


FIG. 8

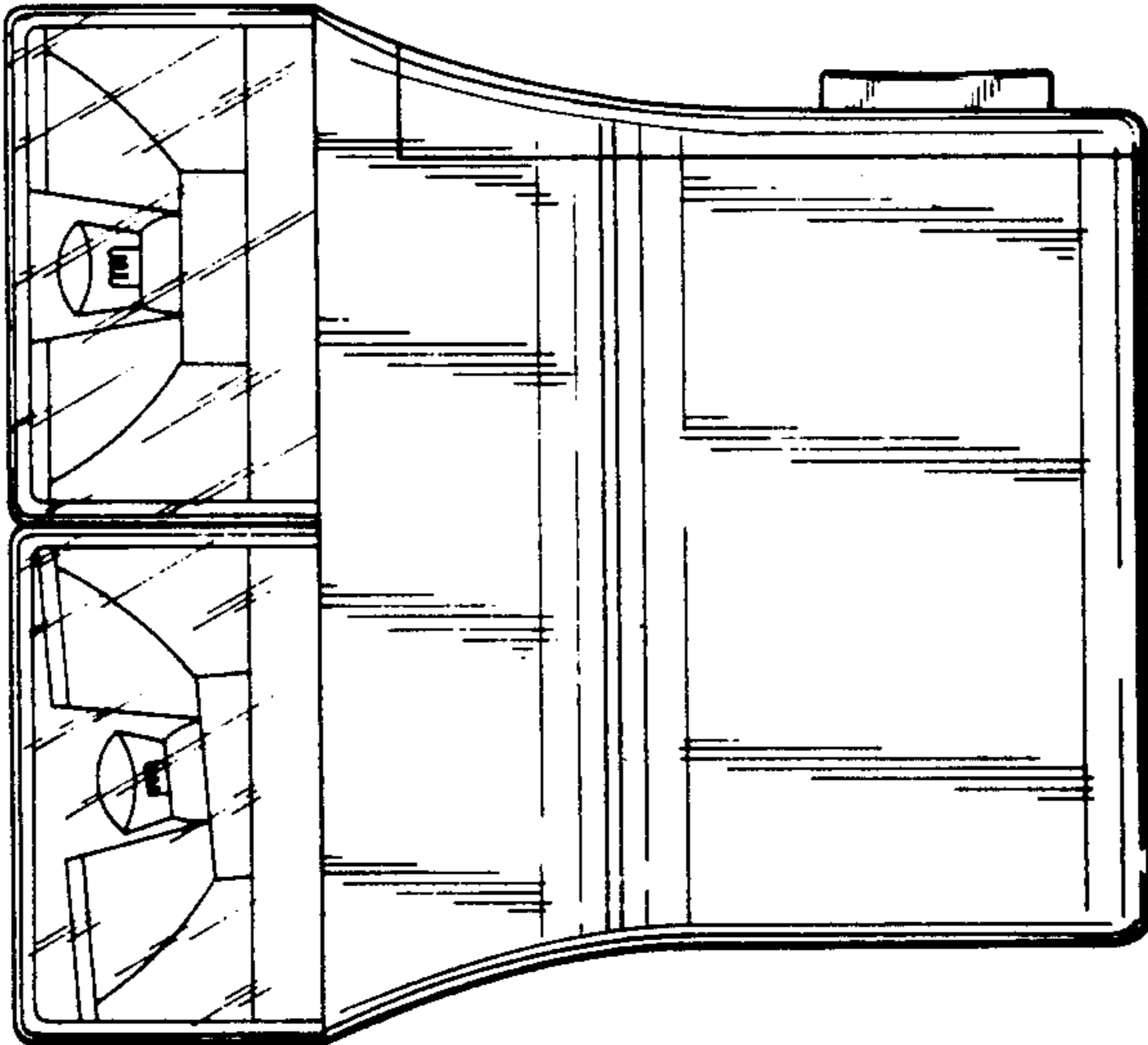


FIG. 9

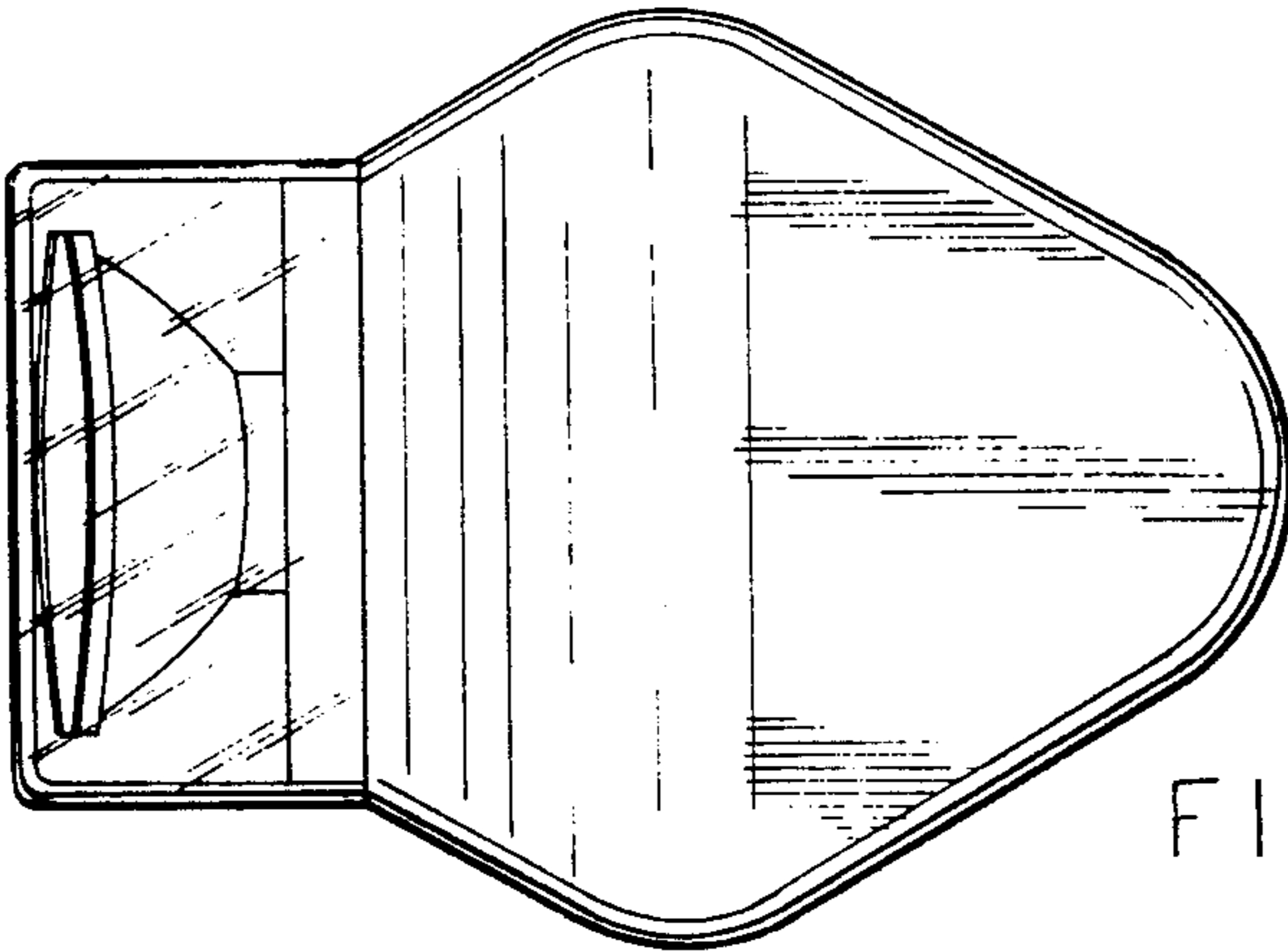


FIG. 10

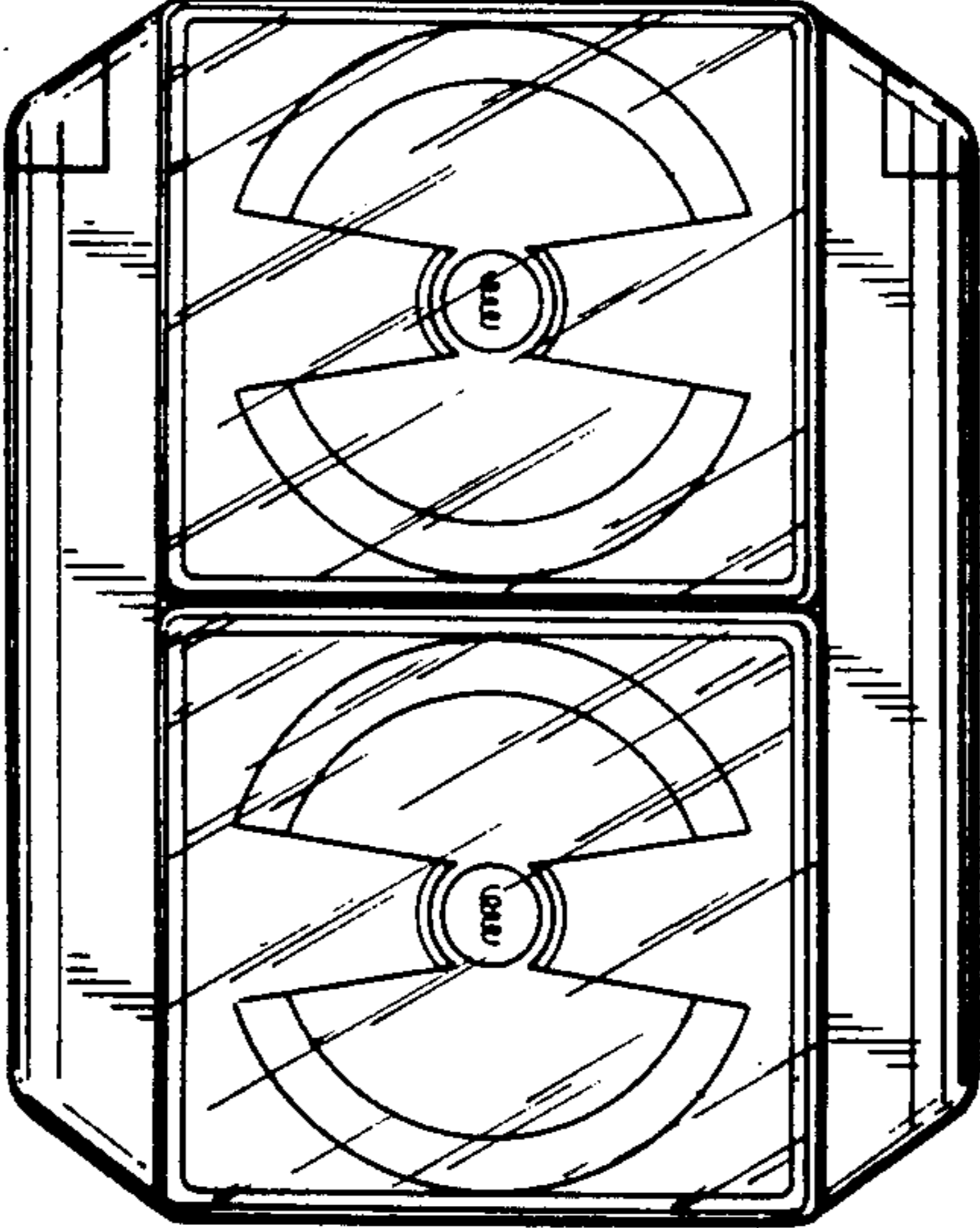


FIG. 11

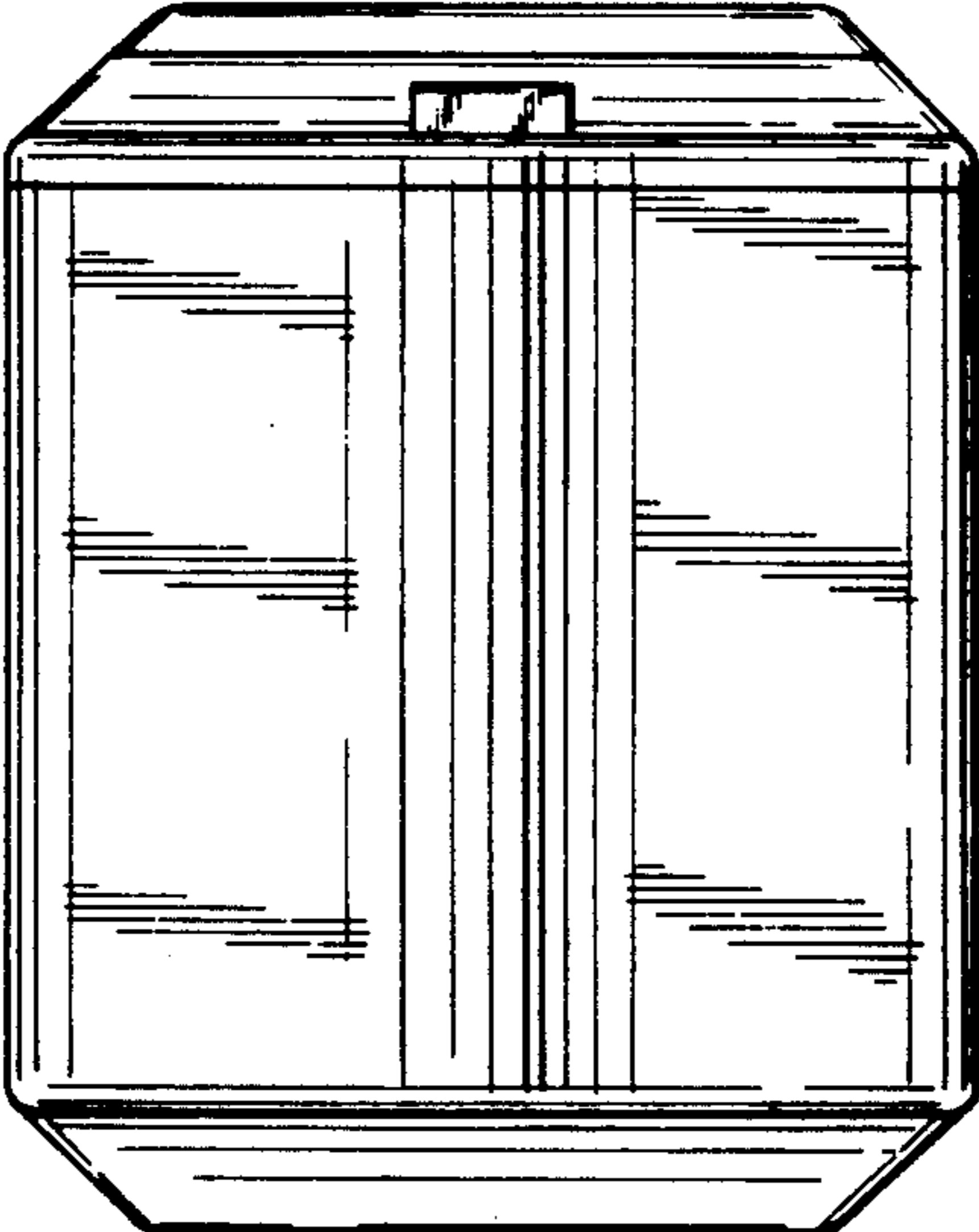


FIG. 12