

[54] DENTAL CAPSULE

[75] Inventor: Edward A. Weissenburger,
Mercerville, N.J.

[73] Assignee: Johnson & Johnson Dental Products
Company, East Windsor, N.J.

[**] Term: 14 Years

[21] Appl. No.: 25,428

[22] Filed: Mar. 30, 1979

[51] Int. Cl. D24-02

[52] U.S. Cl. D24/56; D24/99;
D24/23

[58] Field of Search D24/56, 23, 99;
206/219, 220, 222; 32/40 A

[56]

References Cited

U.S. PATENT DOCUMENTS

D. 231,616	5/1974	Hiltebrant et al.	D24/56
2,549,644	4/1951	Silverman	D24/23 X
3,831,742	8/1974	Gardella et al.	206/219
3,917,062	11/1975	Winters	206/219
4,136,775	1/1979	Zaltman	206/219

Primary Examiner—Bernard Ansher

Attorney, Agent, or Firm—Charles J. Metz

[57]

CLAIM

The ornamental design for a dental capsule, as shown and described.

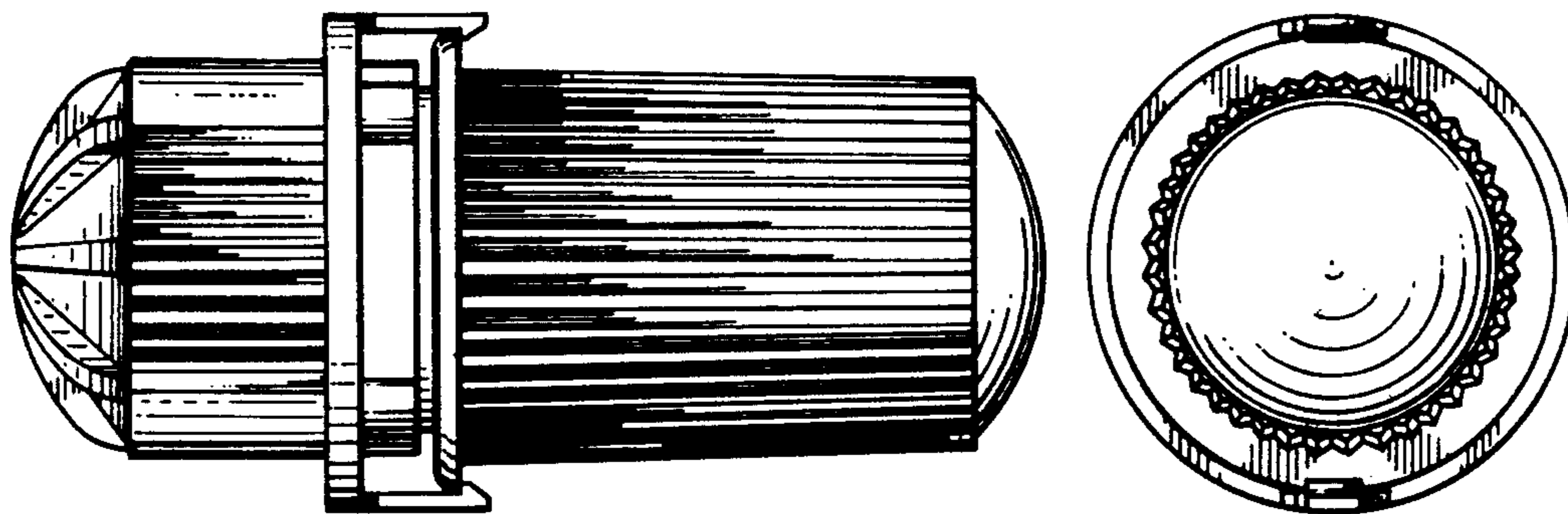
DESCRIPTION

FIG. 1 is a side elevational view of a dental capsule showing my new design;

FIG. 2 is a left end view;

FIG. 3 is a right end view; and

FIG. 4 is a top plan view thereof.



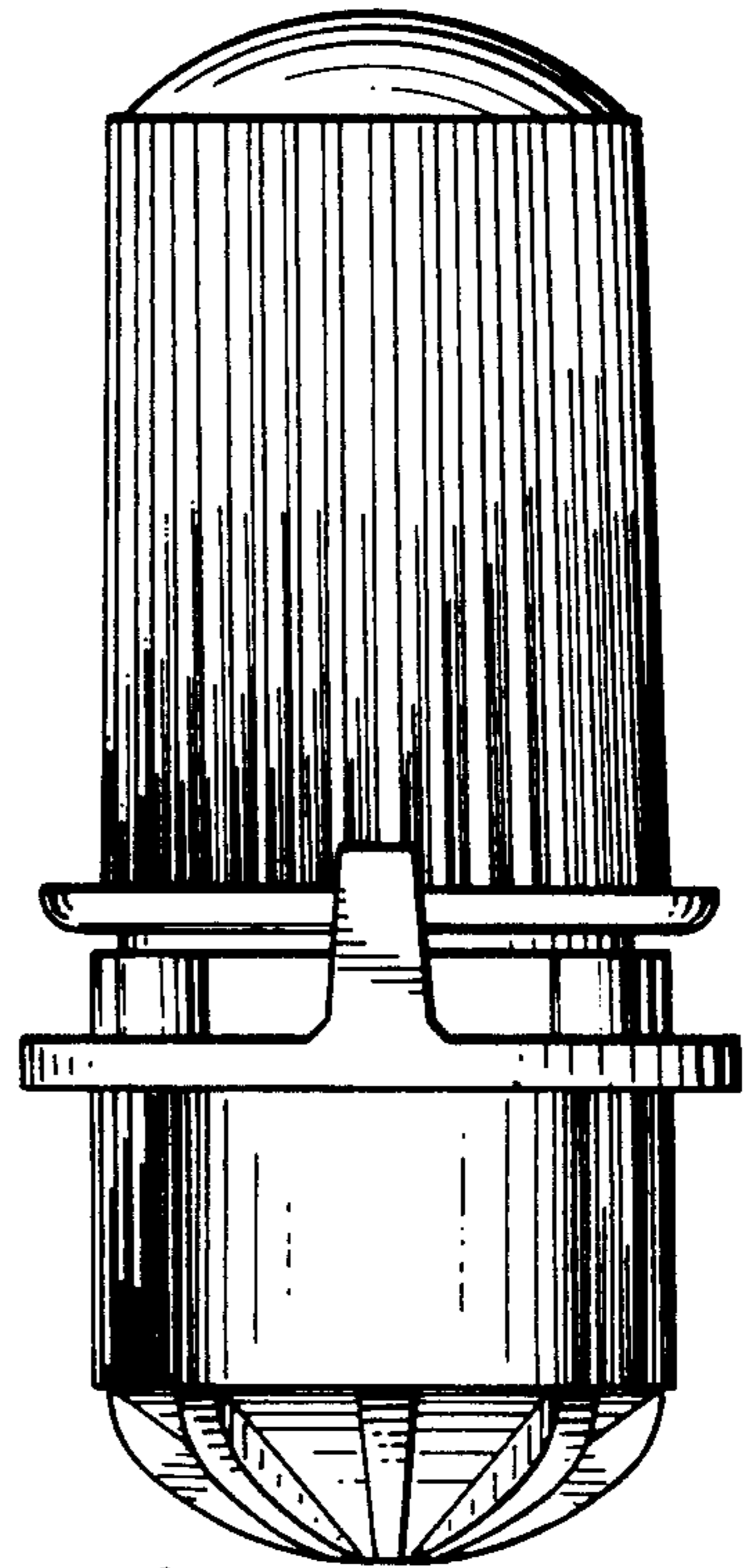
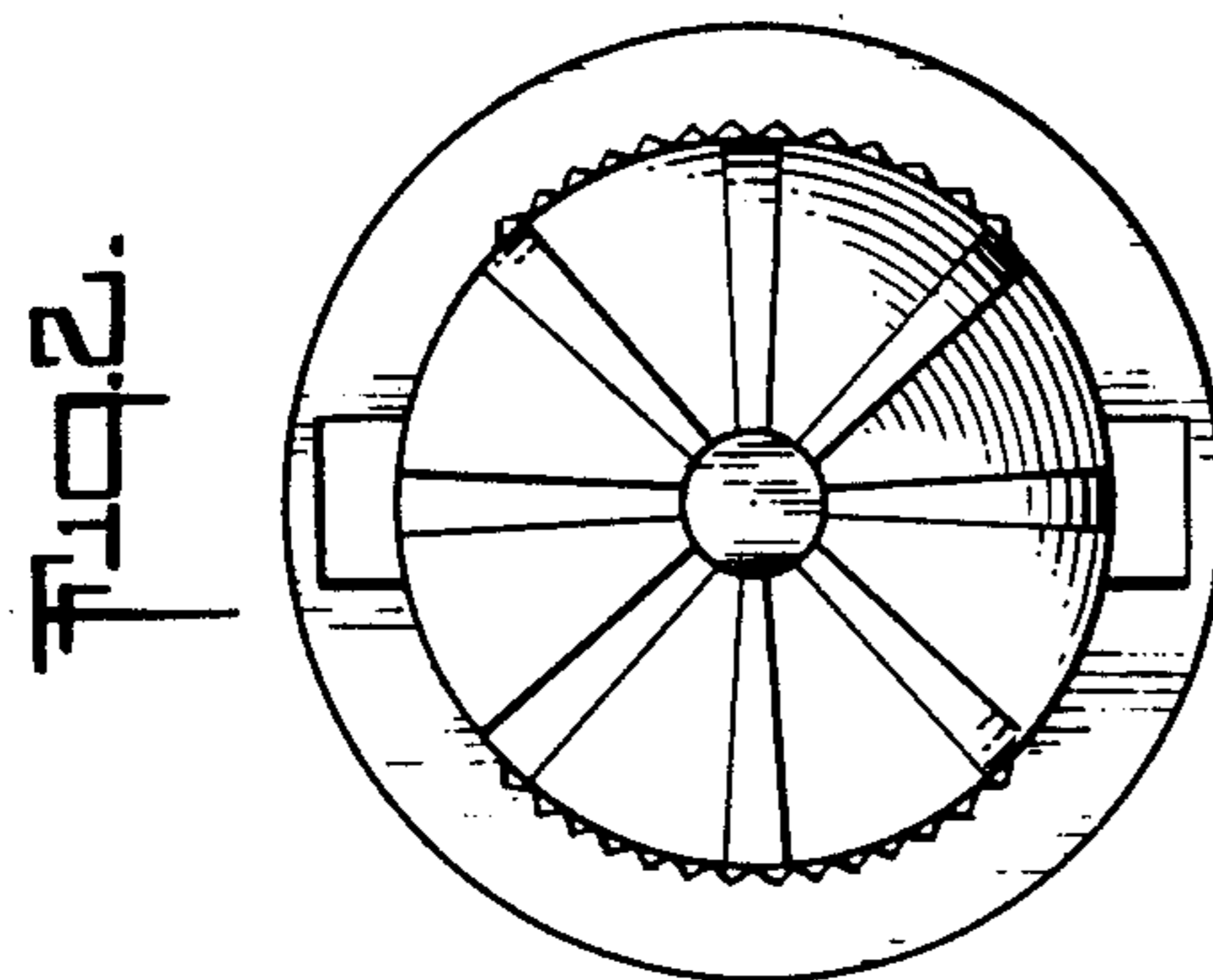
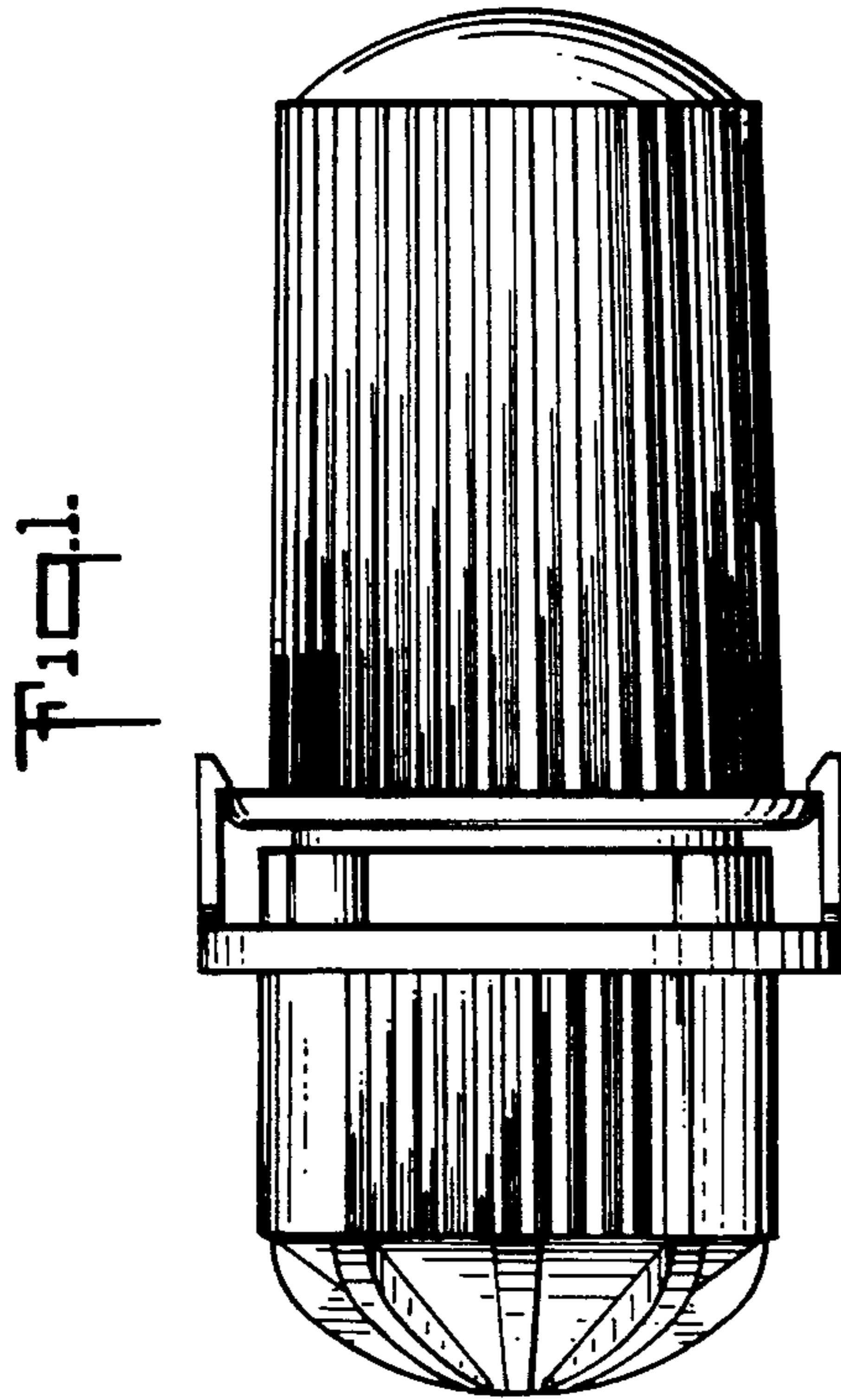
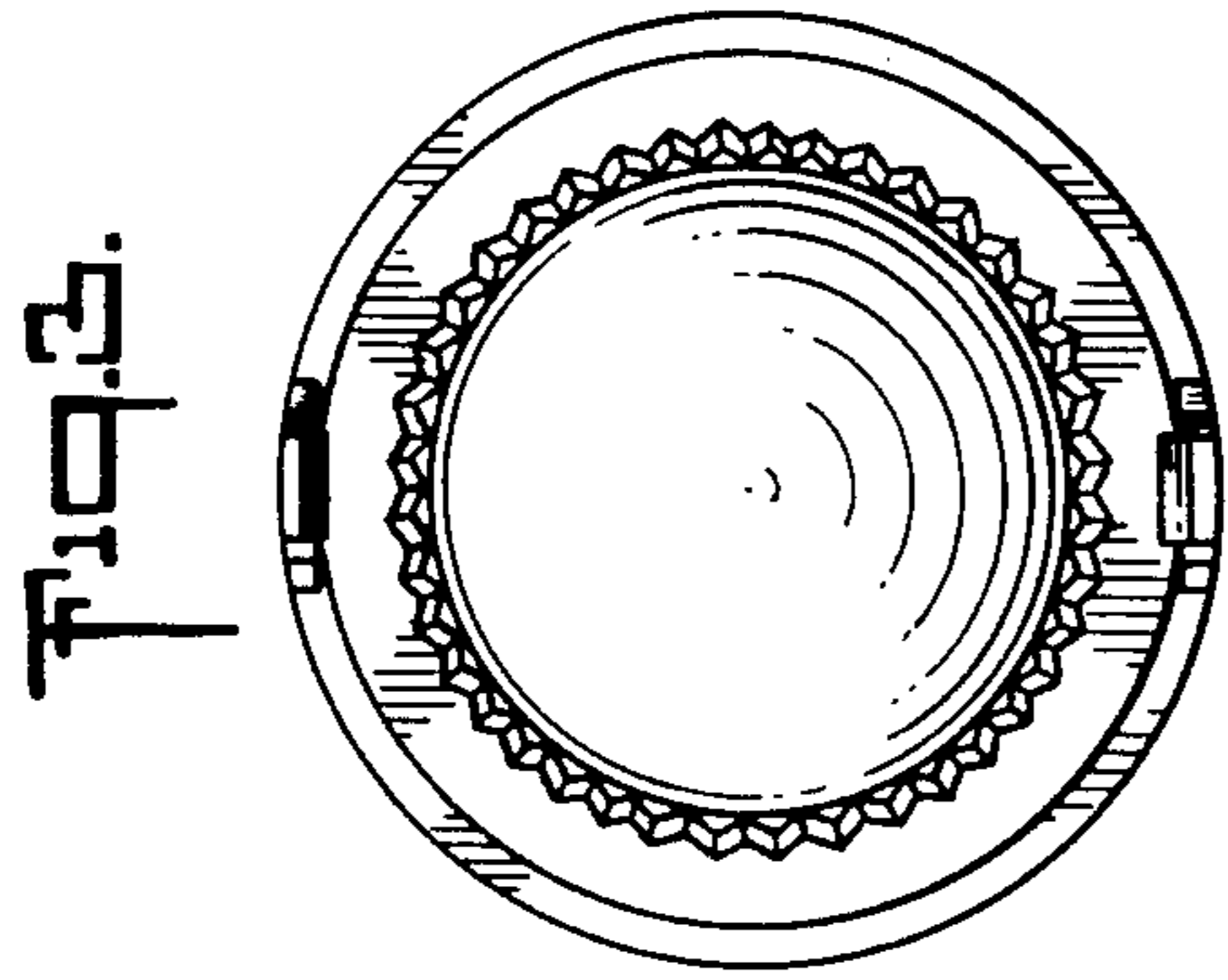


Fig. 4.