

[54] FOOT MASSAGER OR SIMILAR ARTICLE

[76] Inventor: Lon C. Bentsen, Rte. 1, Box 559, Toledo, Oreg. 97391

[\*\*] Term: 14 Years

[21] Appl. No.: 872,016

[22] Filed: Jan. 24, 1978

[51] Int. Cl. .... D28-03

[52] U.S. Cl. .... D24/36

[58] Field of Search ..... D21/191; D24/36; 128/25 B, 57, 67, 65

[56] References Cited

U.S. PATENT DOCUMENTS

D. 138,340 7/1944 Cox ..... D24/36

D. 242,826	12/1976	Posh et al. ....	D24/36
D. 243,557	3/1977	Kientz .....	D21/191 X
2,123,765	7/1938	Broberg .....	128/57
3,662,748	5/1972	Thurman .....	128/57
3,759,250	9/1973	Salata .....	128/57

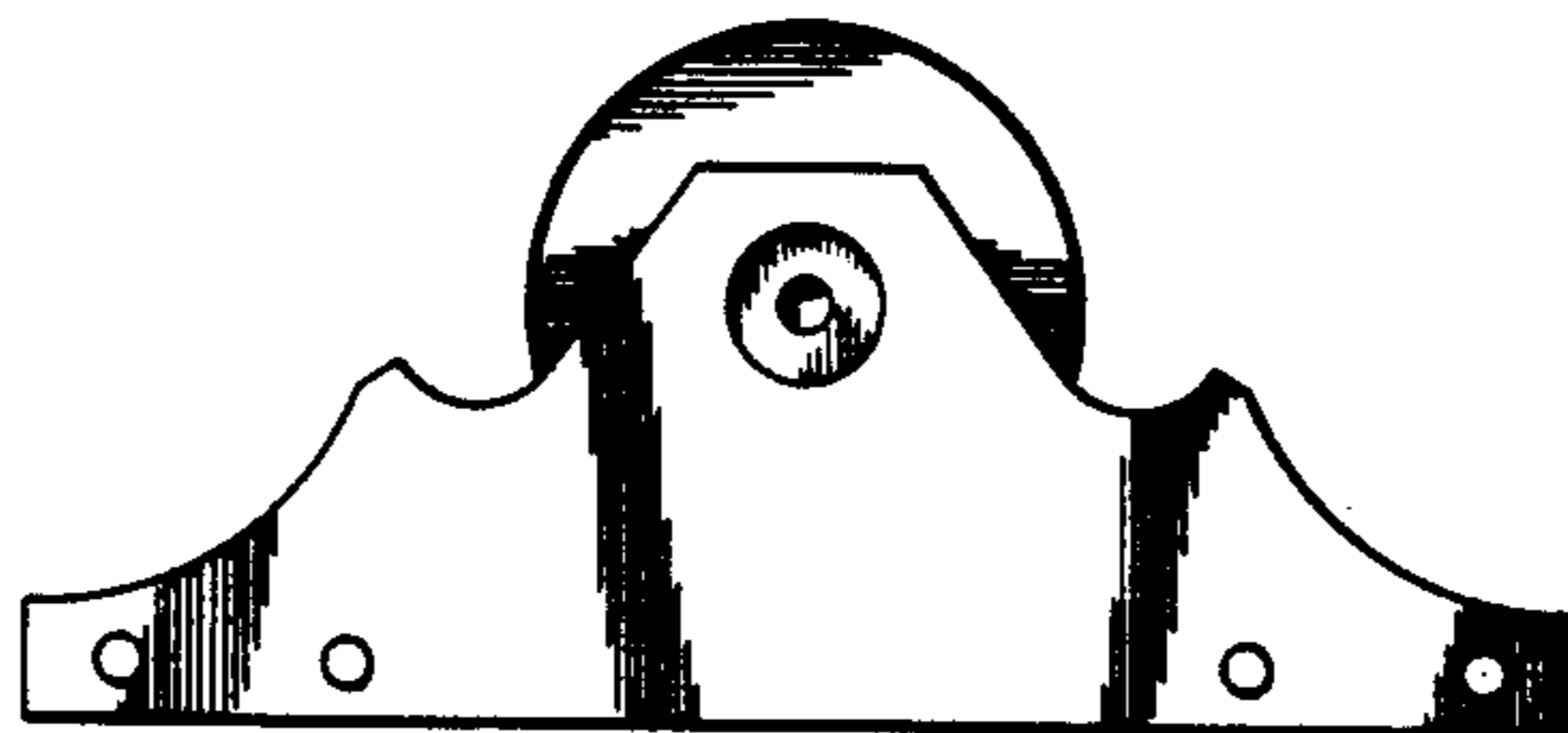
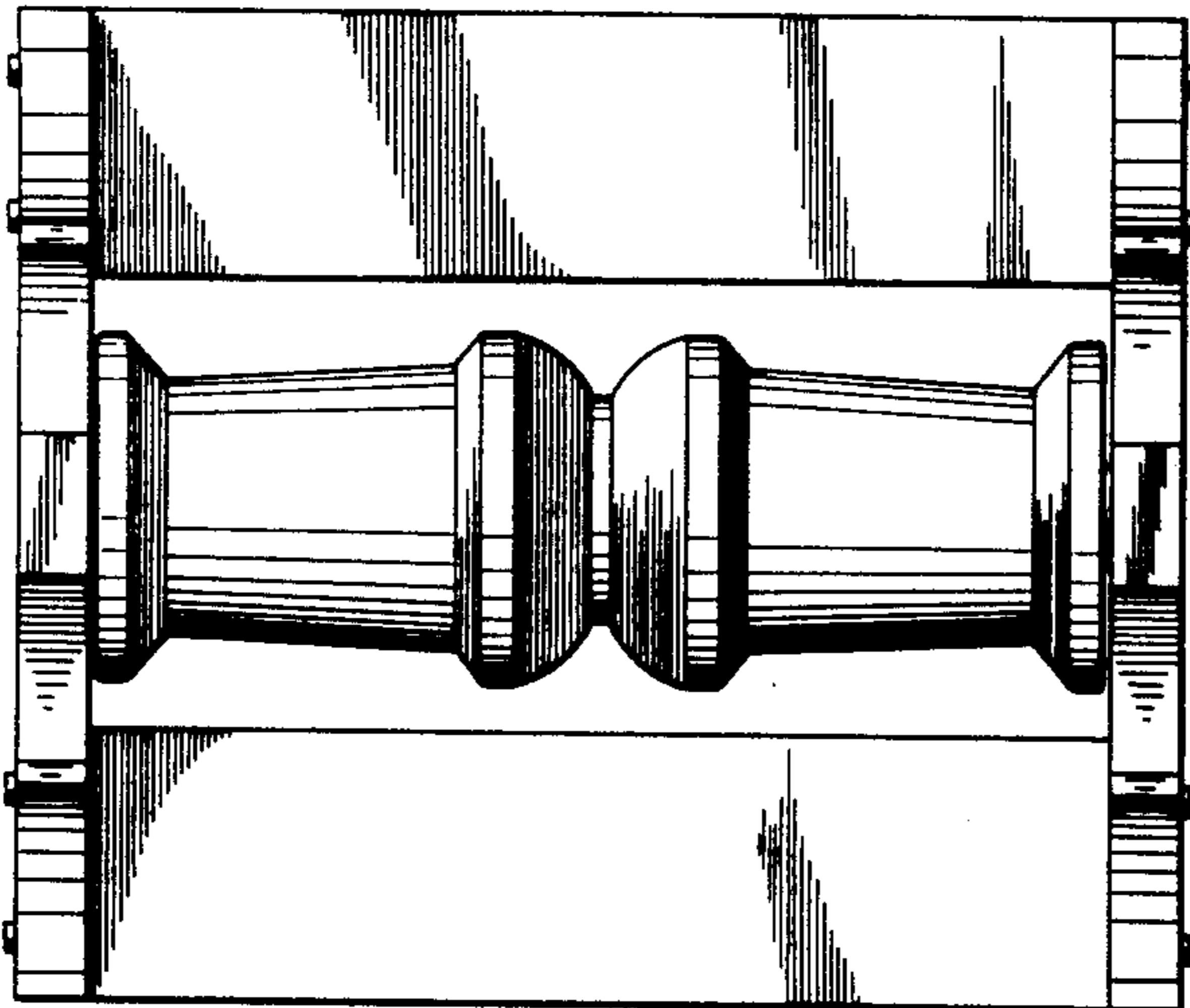
Primary Examiner—Bernard Ansher  
Attorney, Agent, or Firm—D. Paul Weaver

[57] CLAIM

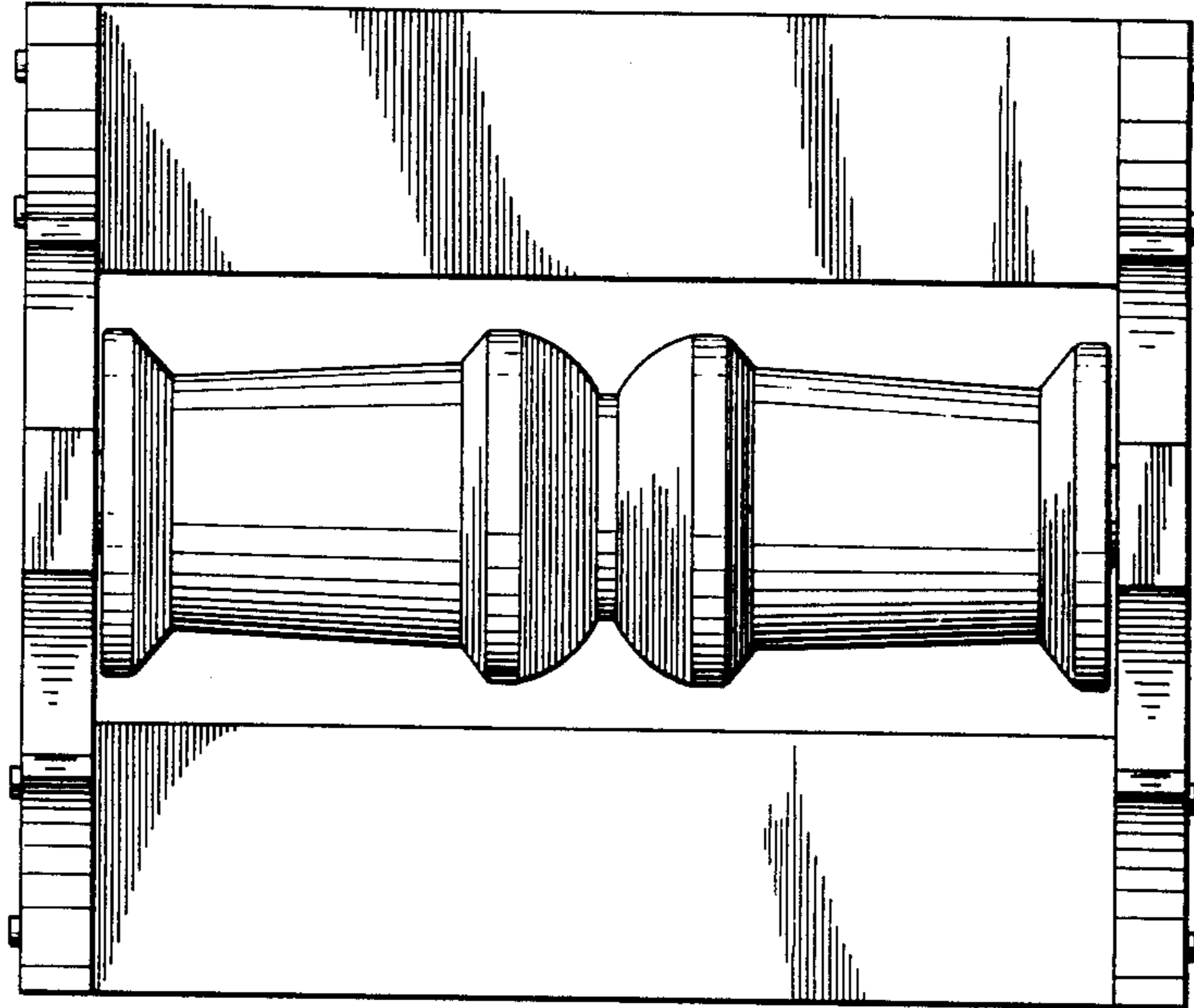
The ornamental design for a foot massager or similar article, as shown and described.

DESCRIPTION

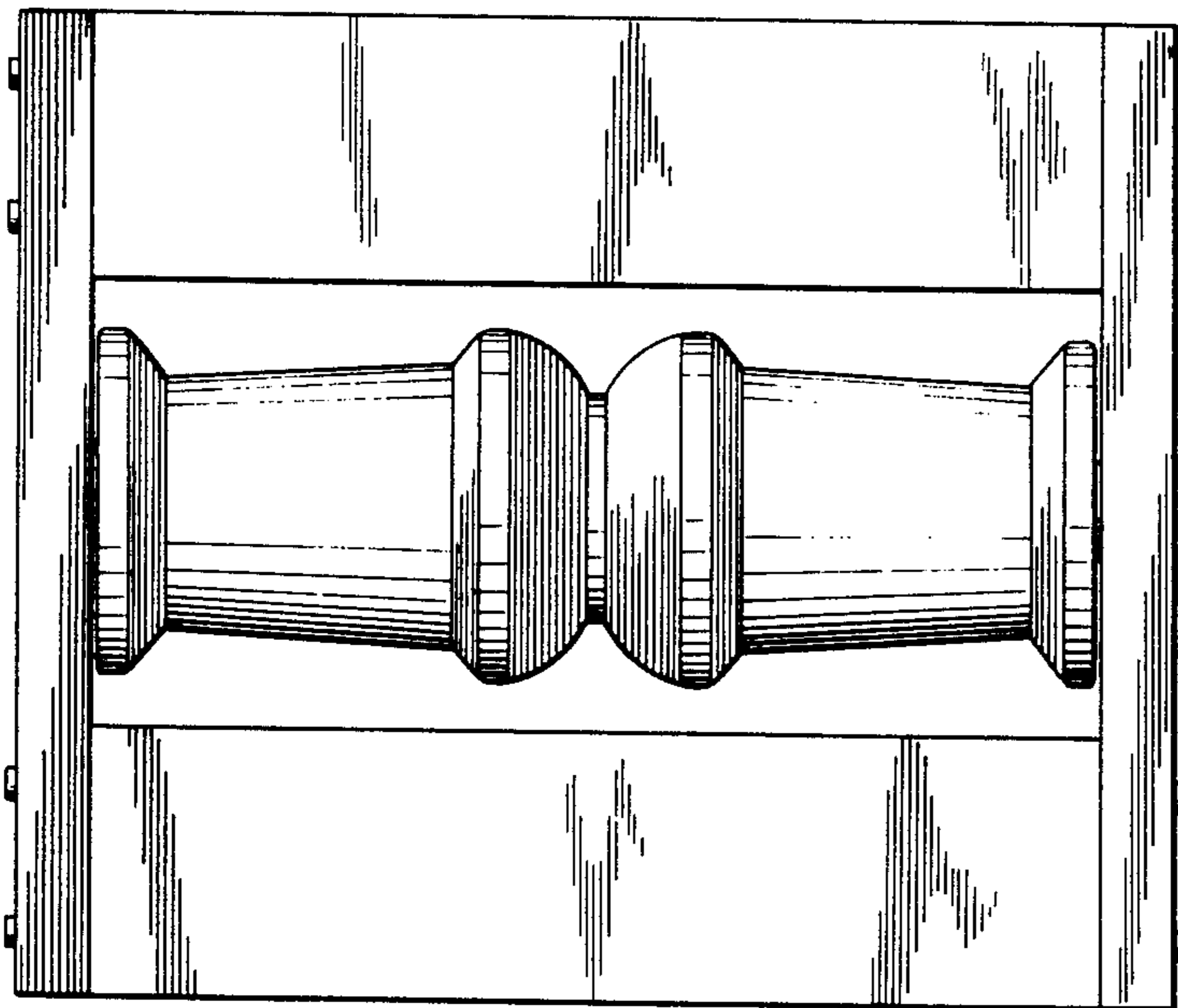
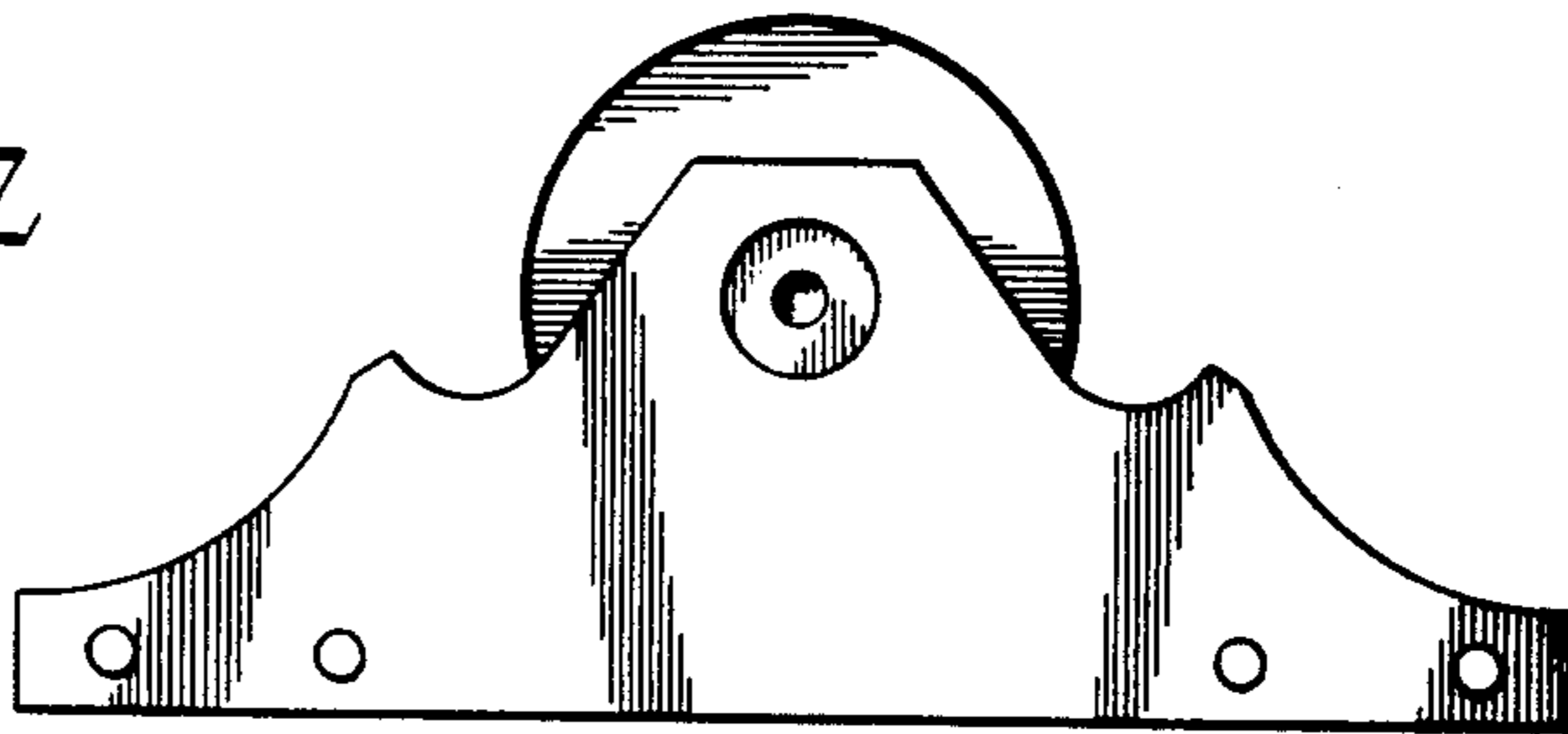
FIG. 1 is a top plan view of a foot massager or similar article showing my new design; FIG. 2 is a side elevation thereof; and FIG. 3 is a bottom plan view thereof.



*Fig. 1*



*Fig. 2*



*Fig. 3*