

[54] **INFANT OXYGEN HOOD**
[75] Inventor: **Norman C. Crandall**, Costa Mesa, Calif.
[73] Assignee: **Shiley Incorporated**
[**] Term: **14 Years**
[21] Appl. No.: **910,000**
[22] Filed: **May 26, 1978**
[51] Int. Cl. **D24—01**
[52] U.S. Cl. **D24/1.1; D24/99; D24/9**
[58] Field of Search **D24/1.1, 99, 9; 128/191 R, 191 A, 142.7, 209**

[56] **References Cited**
U.S. PATENT DOCUMENTS
D. 182,394 4/1958 Adolphson D24/9
D. 247,720 4/1978 Wilhelm D24/99 X
3,540,446 11/1970 Dixon 128/191 A
3,813,092 5/1974 Foster 128/191 A

3,976,063 8/1976 Henneman et al. 128/142.7

OTHER PUBLICATIONS

American Journal of Nursing, Dec. 1975, pp. 2185, 2186, The Oxygen Hood.

Primary Examiner—Bernard Ansher
Attorney, Agent, or Firm—Louis J. Knobbe

[57] **CLAIM**

The ornamental design for an infant oxygen hood, as shown.

DESCRIPTION

FIG. 1 is a top rear perspective view of an infant oxygen hood, showing my new design;
FIG. 2 is a top front perspective view thereof;
FIG. 3 is a top view thereof;
FIG. 4 is a right side elevation thereof;
FIG. 5 is a front elevation thereof;
FIG. 6 is a left side elevation thereof;
FIG. 7 is a rear elevation thereof; and
FIG. 8 is a bottom plan view thereof.

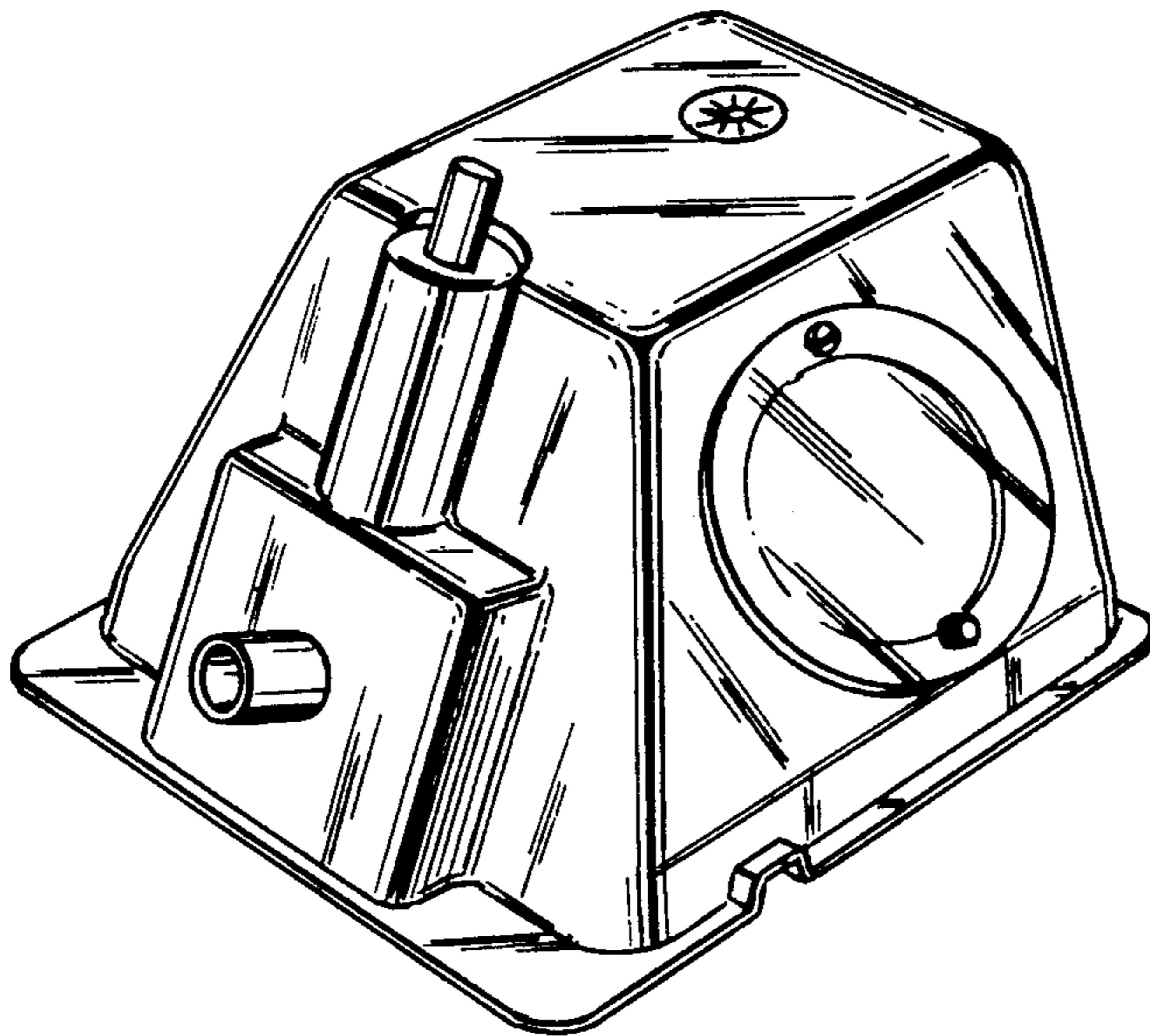


Fig. 1

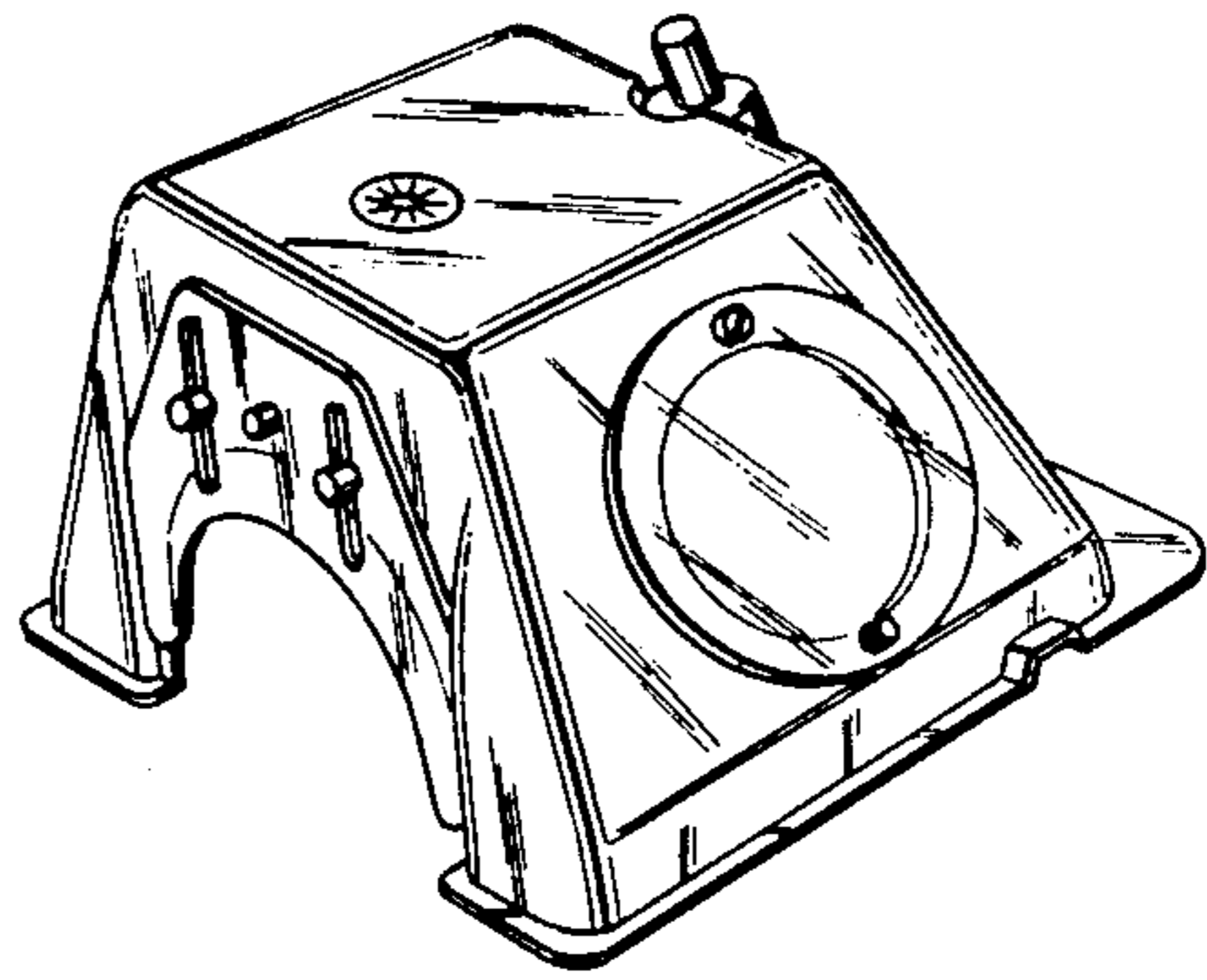
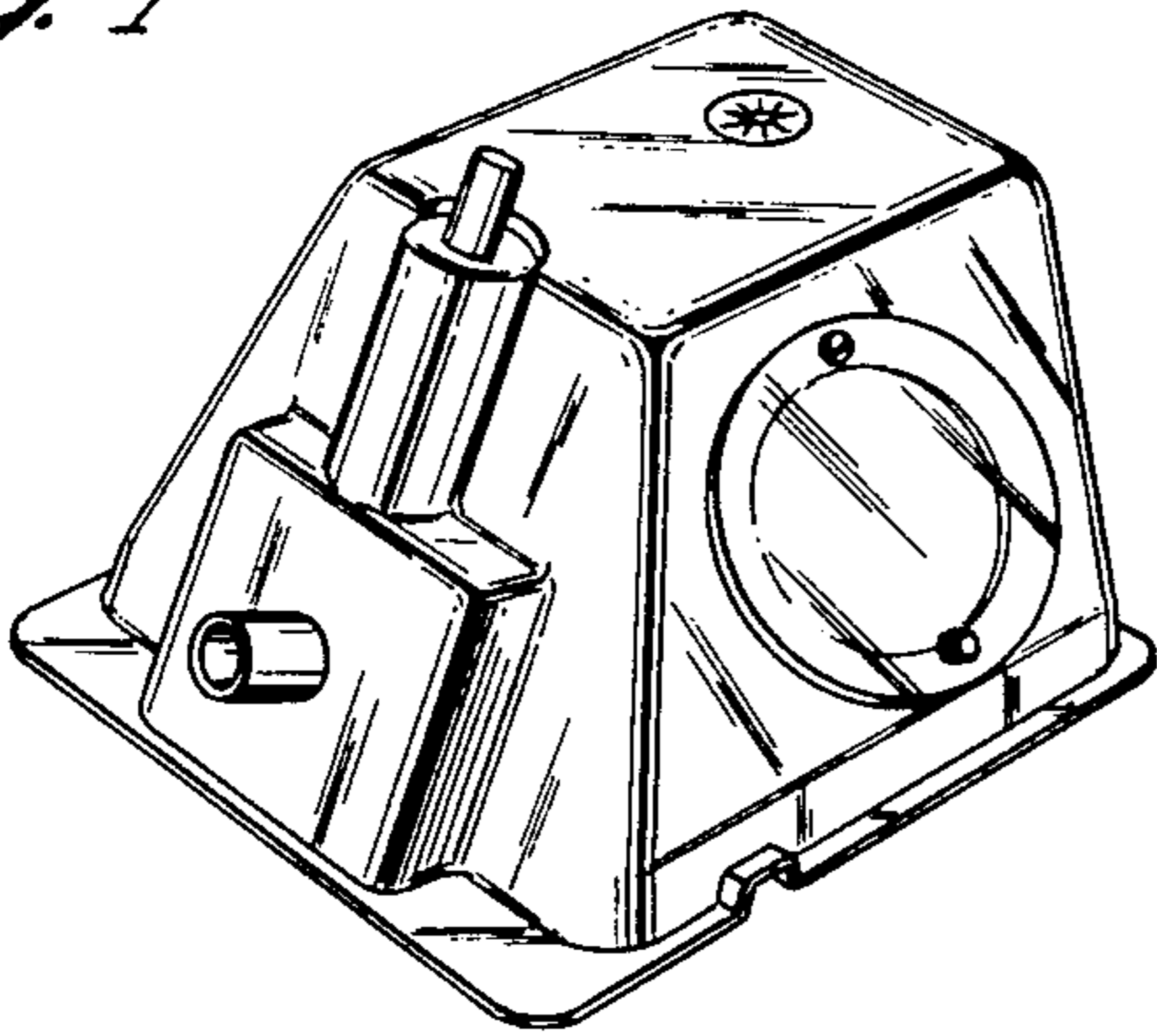


Fig. 2

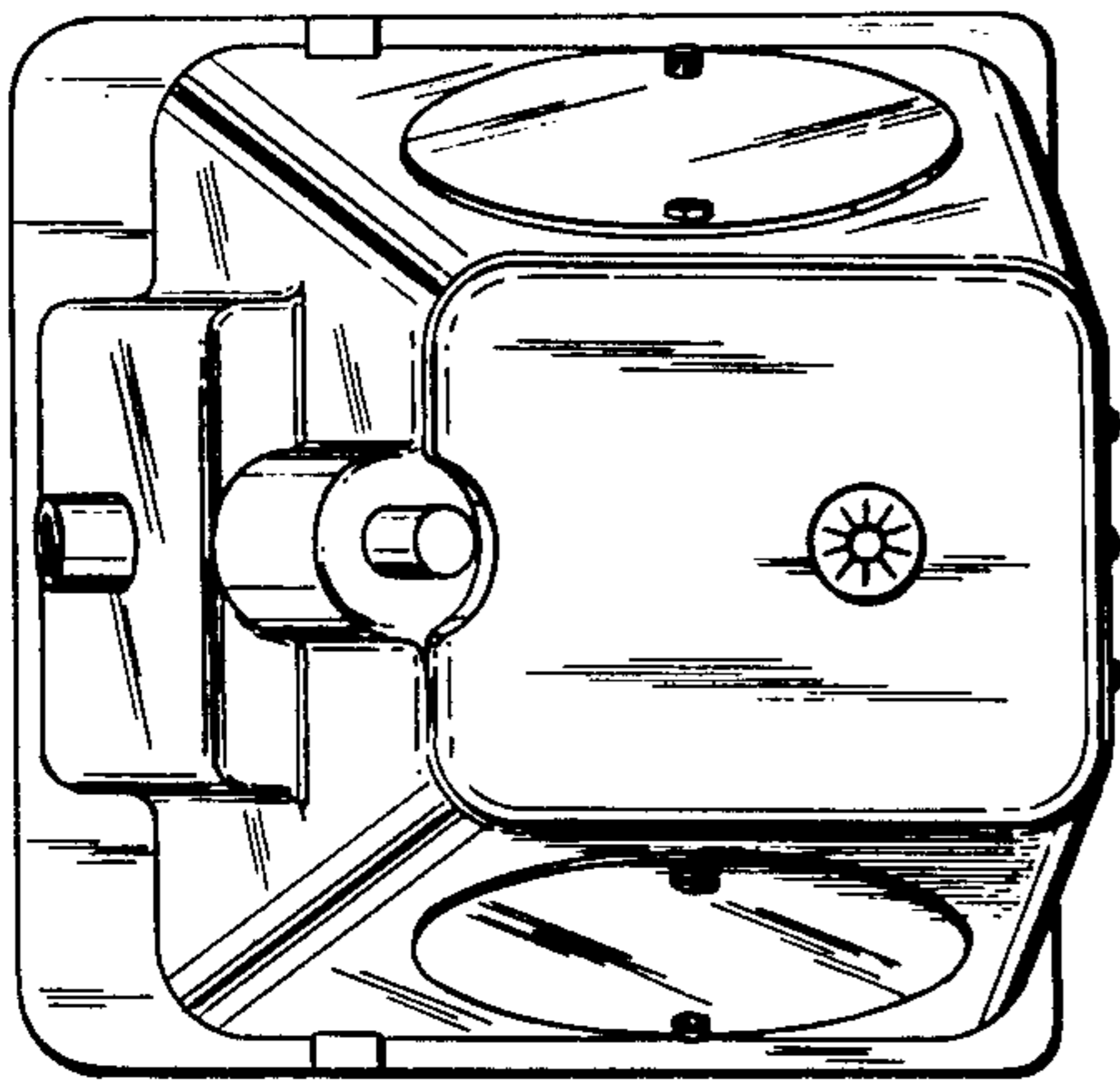


Fig. 3

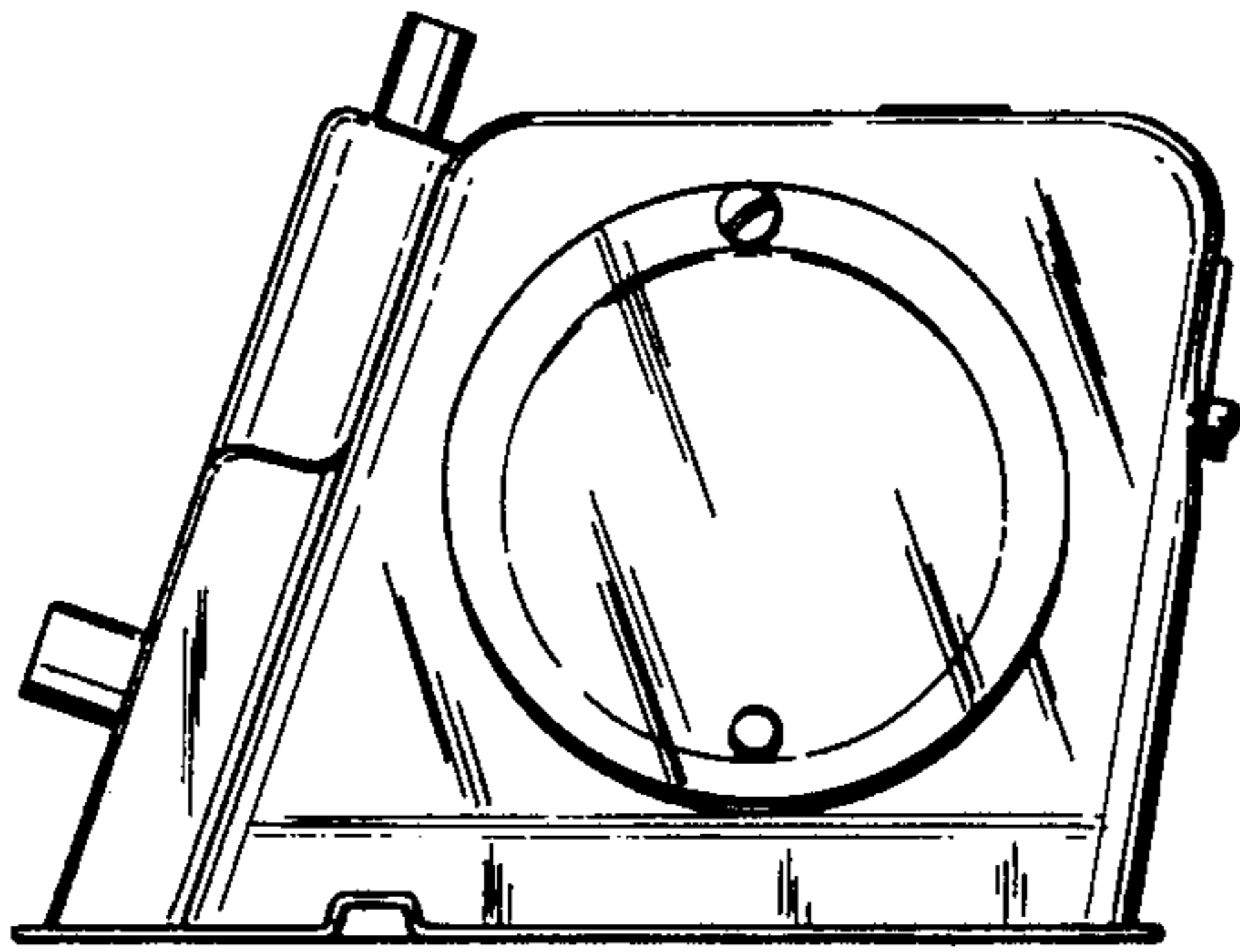


Fig. 4

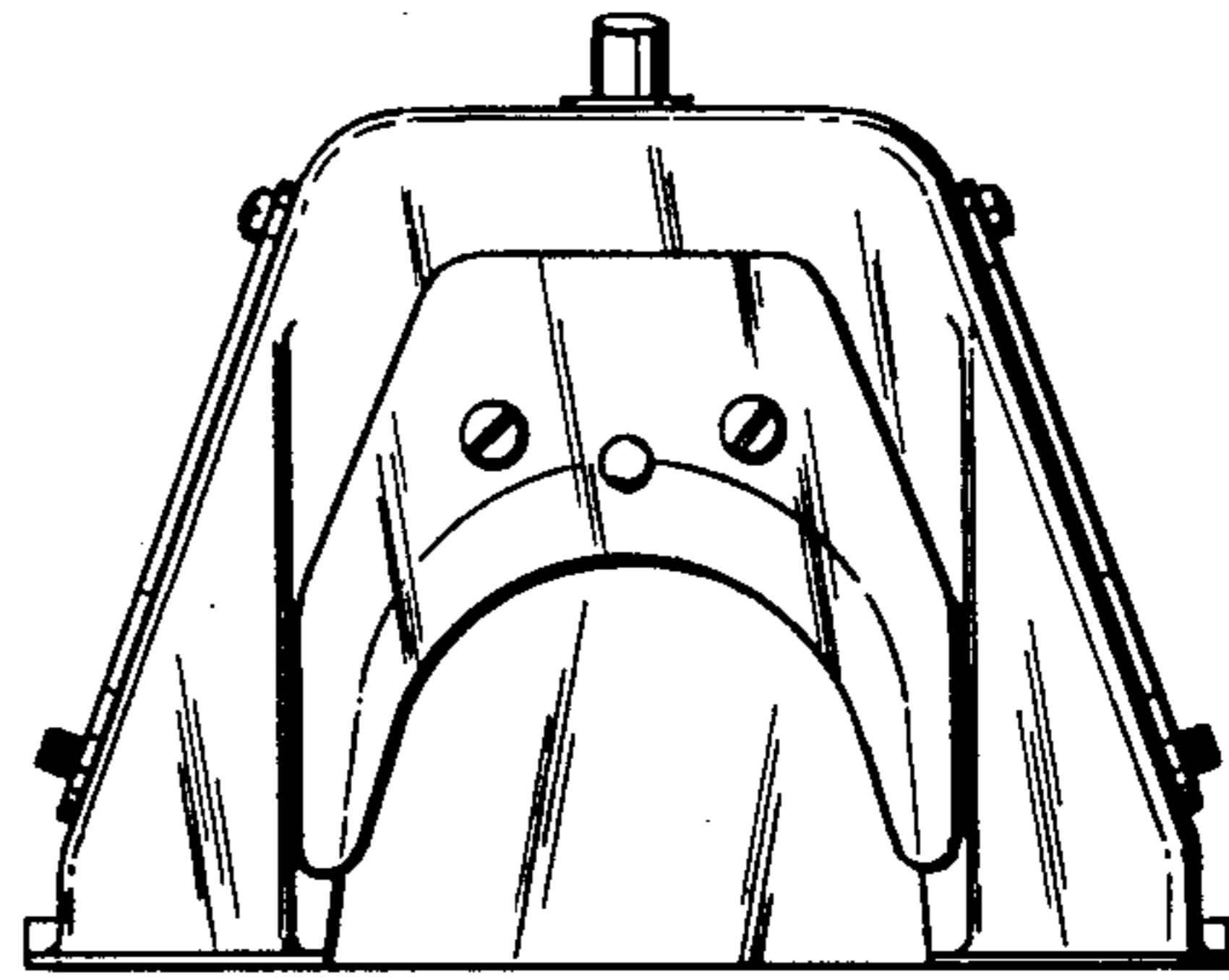


Fig. 5

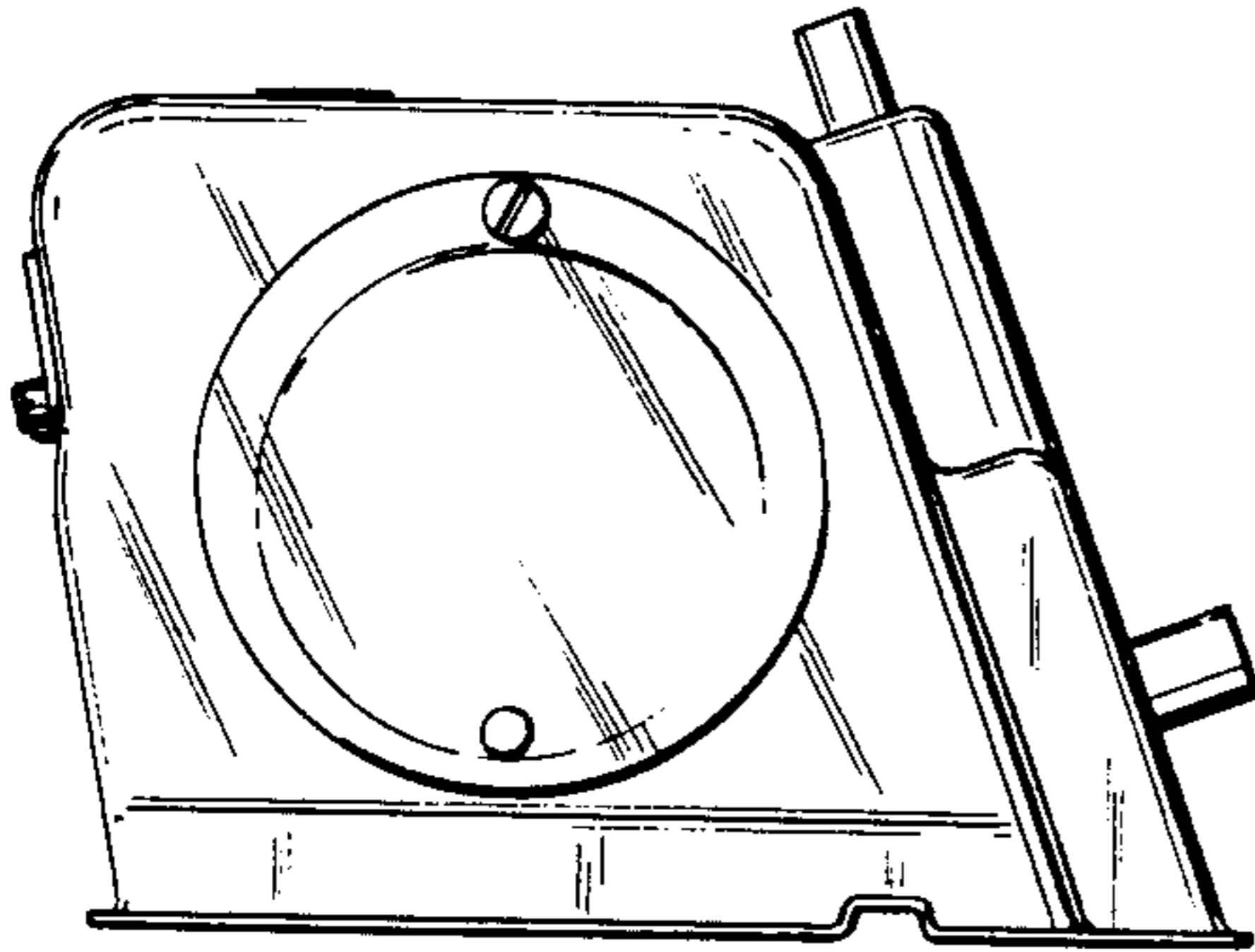


Fig. 6

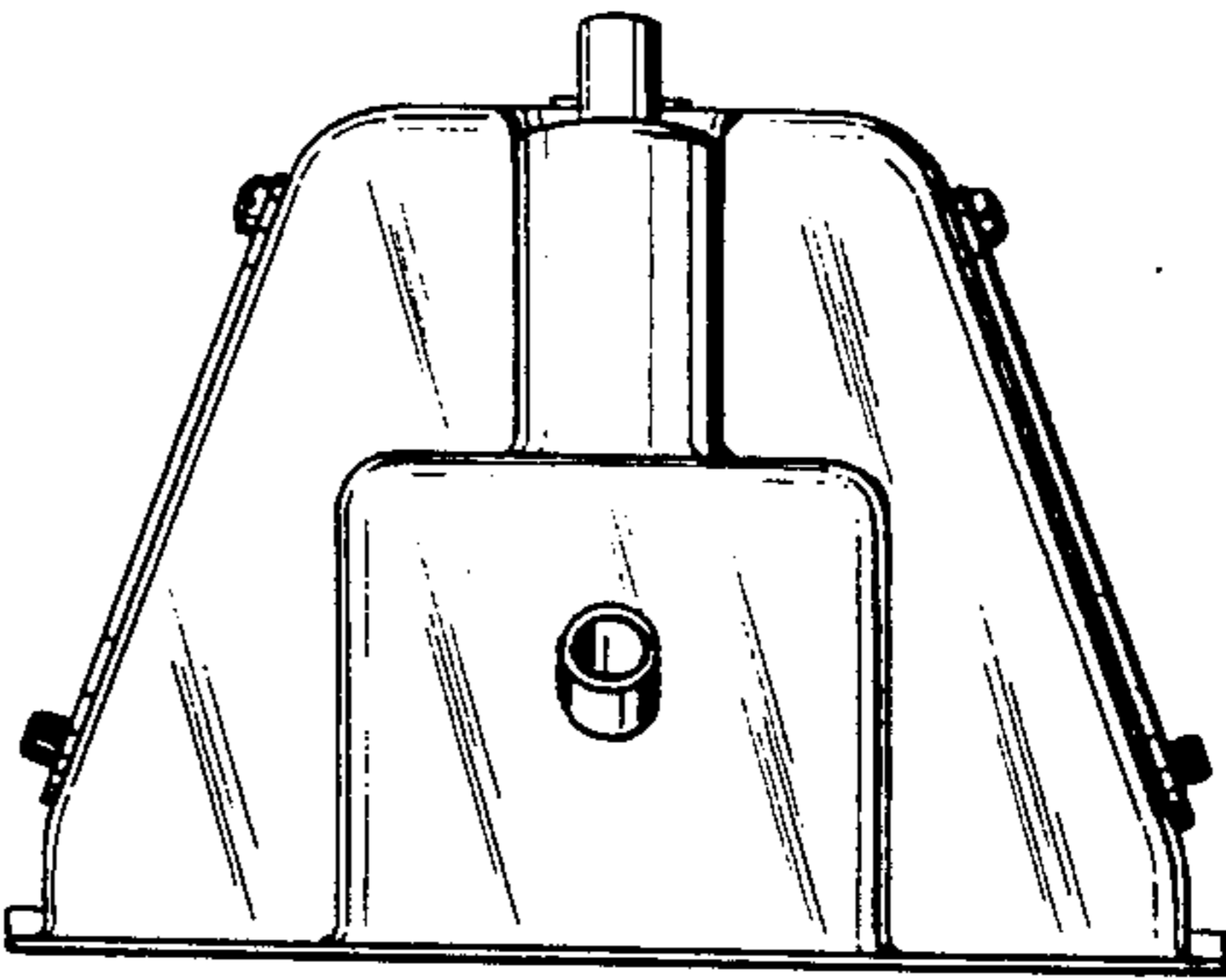


Fig. 7

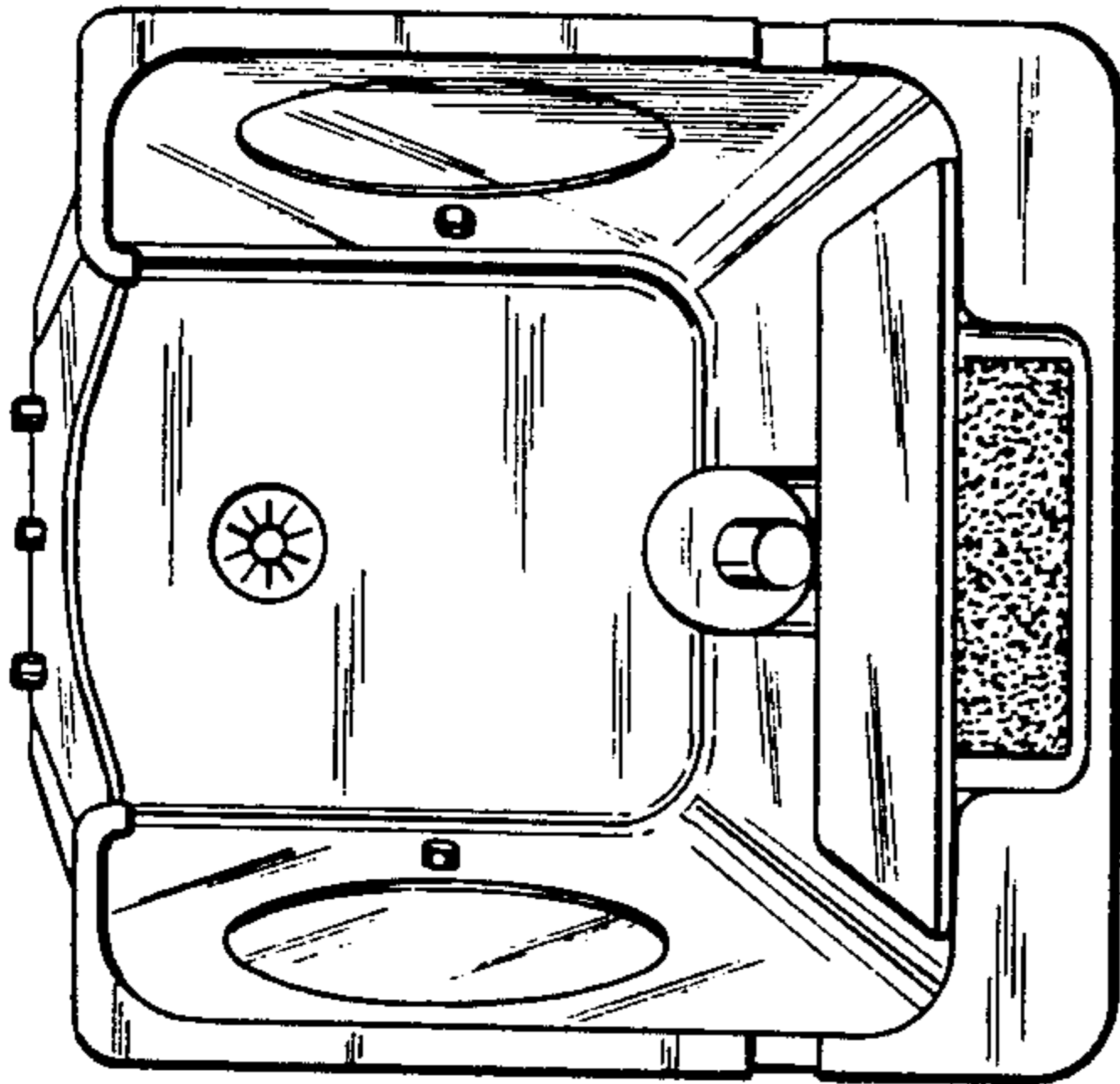


Fig. 8