

[54] HEATING STOVE

[76] Inventors: Roray J. Sandau, Rte. 1, Box 729, Salem, Oreg. 97304; Gordon H. McKee, 7120 Perrydale Rd., Amity, Oreg. 97101

[\*\*] Term: 14 Years

[21] Appl. No.: 923,045

[22] Filed: Jul. 7, 1978

[51] Int. Cl. .... D23-03

[52] U.S. Cl. .... D23/97

[58] Field of Search ..... D23/72, 93-97, D23/105, 106, 107, 118, 119, 127; 126/120, 121, 123, 126, 130, 135, 136, 141, 58, 60-66

[56] References Cited

U.S. PATENT DOCUMENTS

D. 247,718 4/1978 Peterman ..... D23/92

D. 250,541 12/1978 Chinn et al. .... D23/97  
D. 251,385 3/1979 Zimmer ..... D23/97  
D. 251,501 4/1979 Peterman ..... D23/97  
4,121,560 10/1978 Knight ..... 126/63

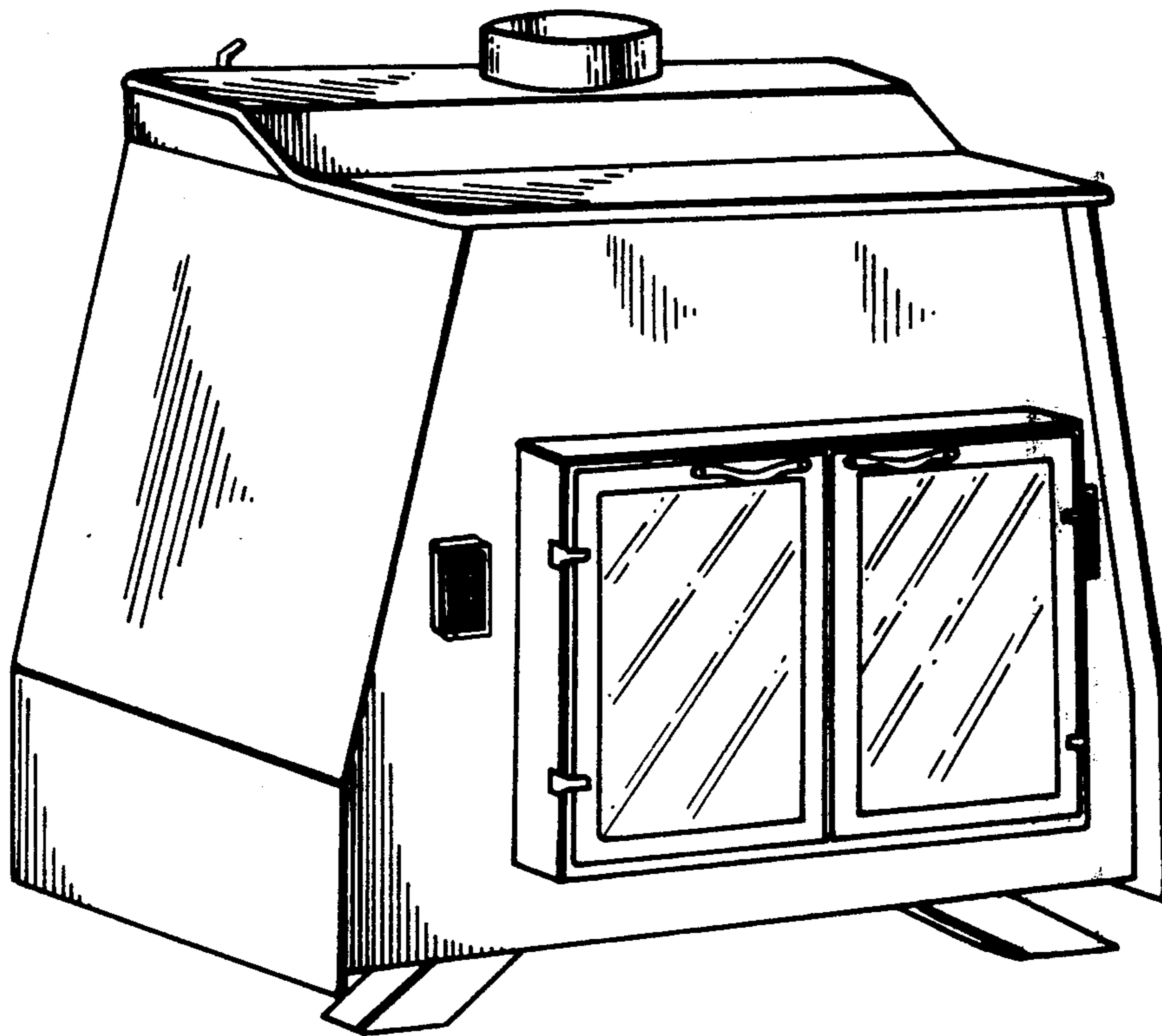
Primary Examiner—Catherine E. Kemper  
Attorney, Agent, or Firm—Francis Swanson

[57] CLAIM

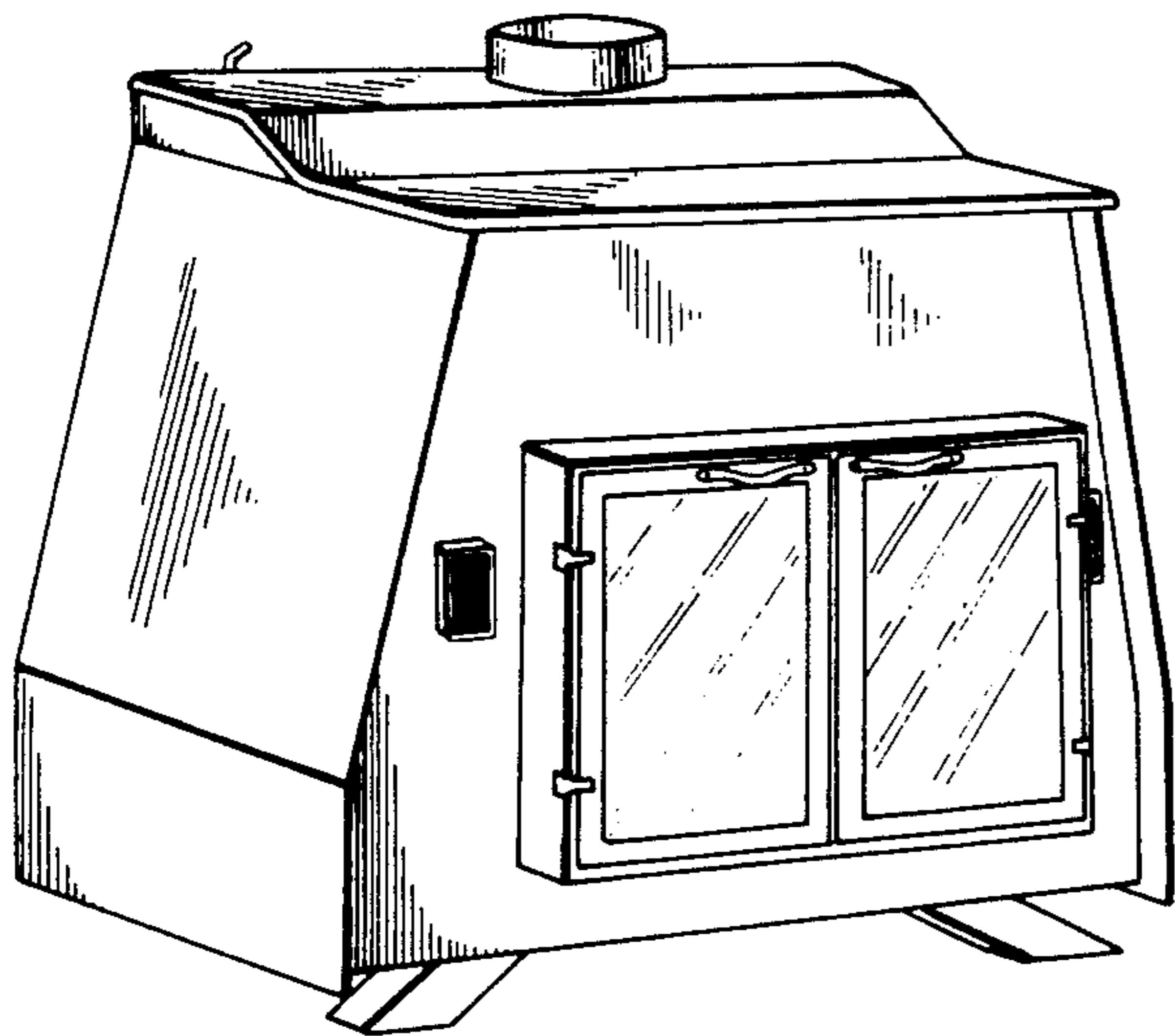
The ornamental design for a heating stove, as shown and described.

DESCRIPTION

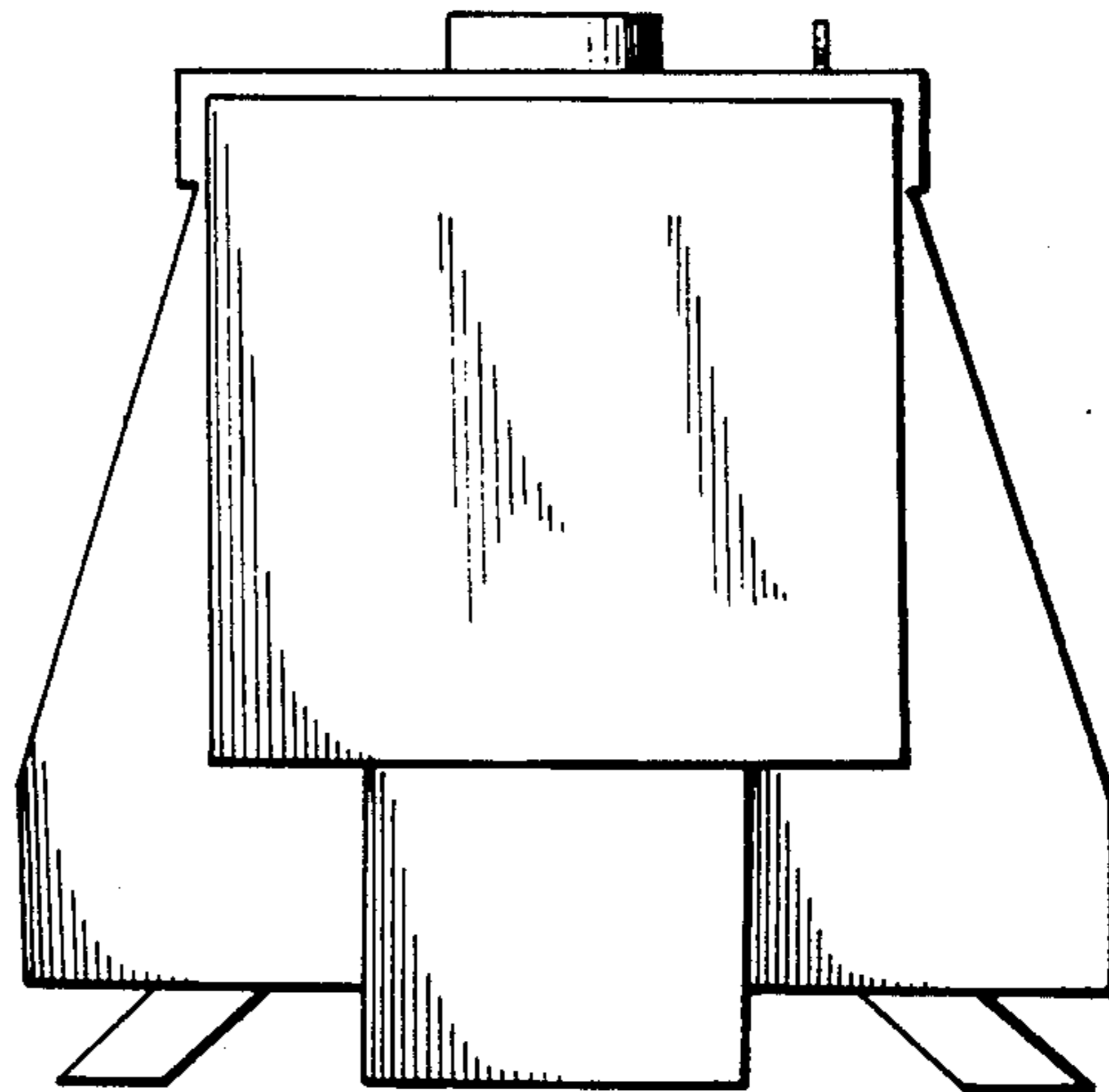
FIG. 1 is a front perspective view of a heating stove showing our new design;  
FIG. 2 is a front elevational view thereof;  
FIG. 3 is a right side elevational view thereof, the left side being a mirror image thereof;  
FIG. 4 is a top plan view thereof;  
FIG. 5 is a bottom plan view thereof;  
FIG. 6 is a rear elevational view thereof.



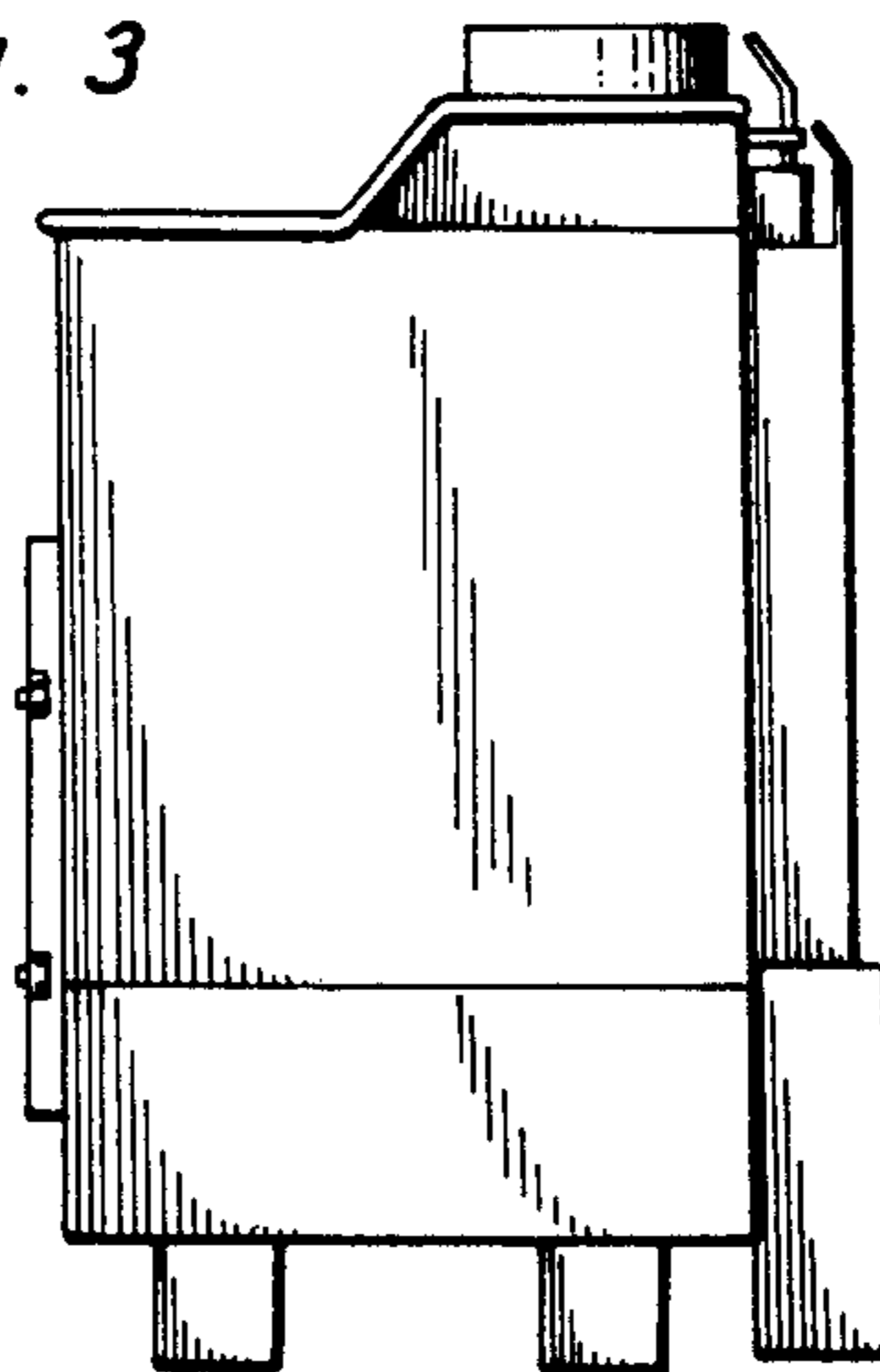
*Fig. 1*



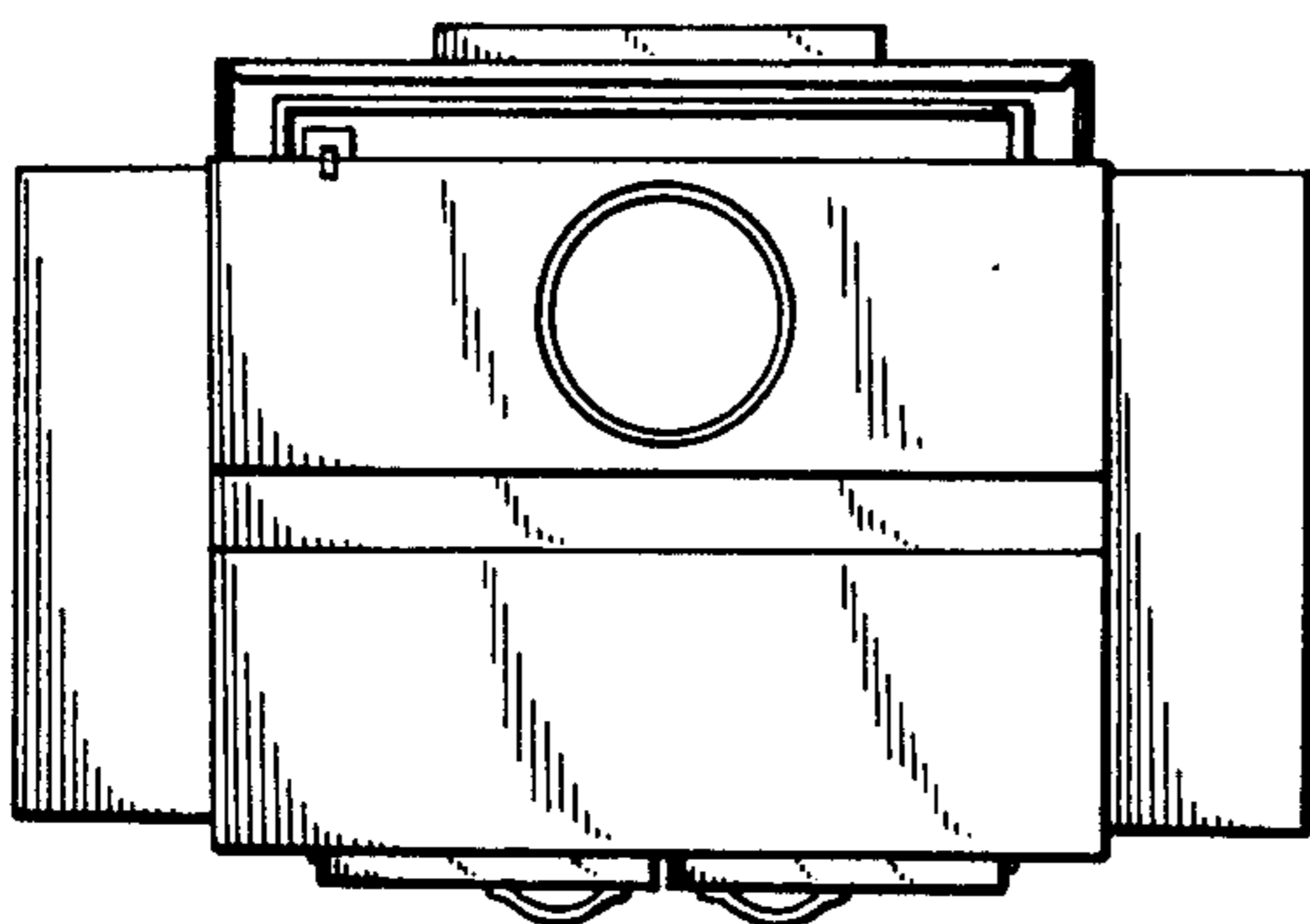
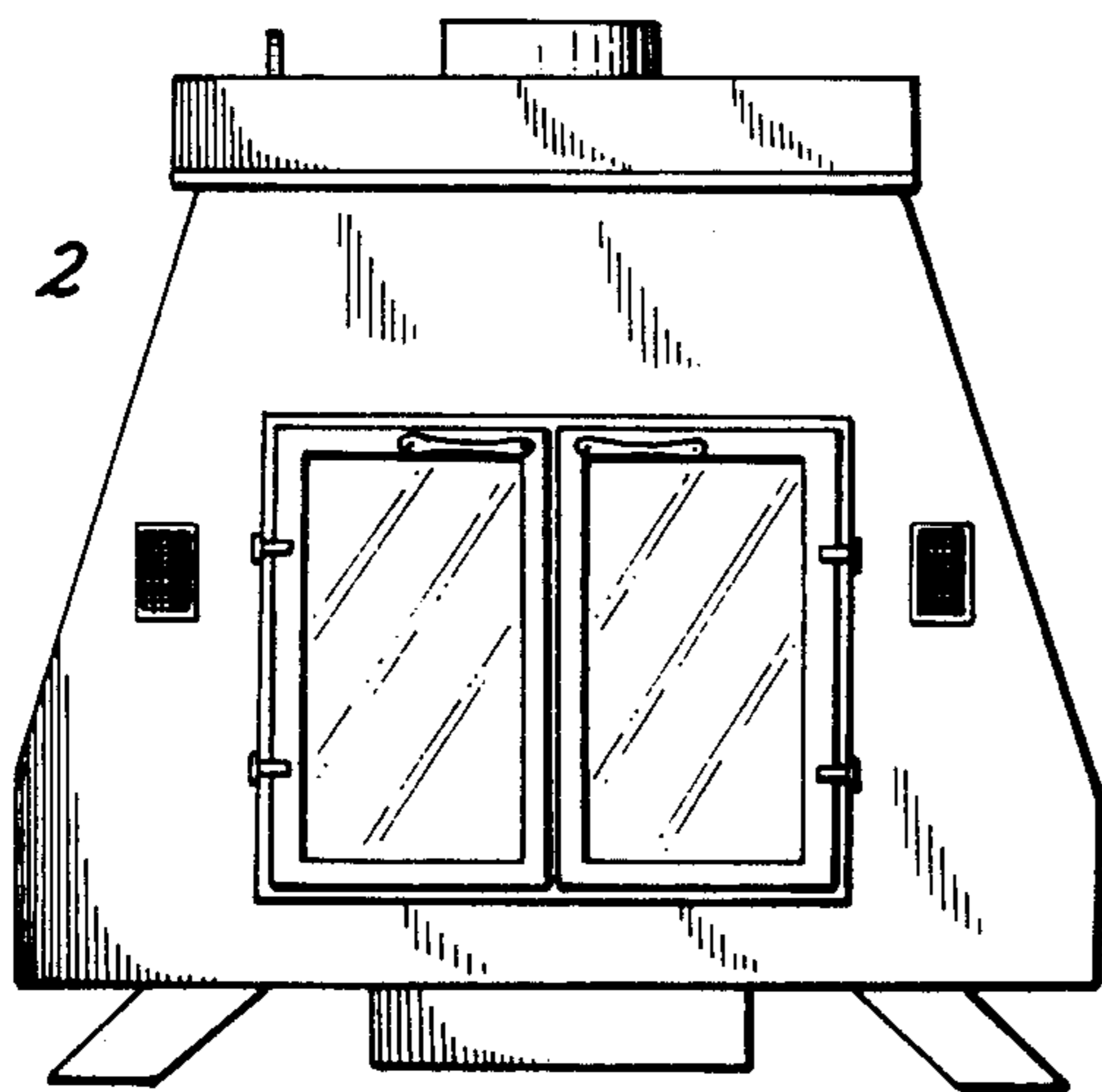
*Fig. 6*



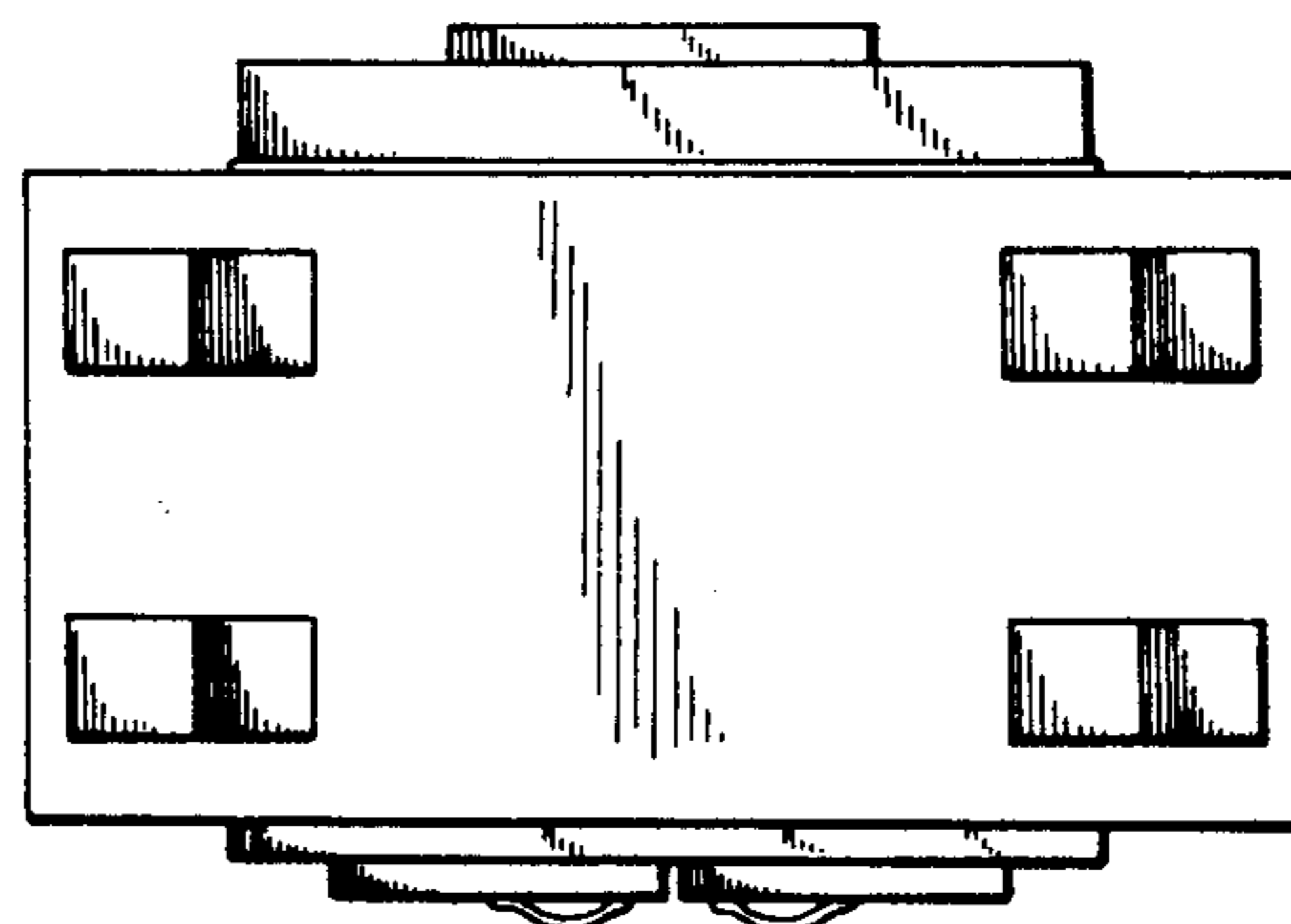
*Fig. 3*



*Fig. 2*



*Fig. 4*



*Fig. 5*