

[54] FIREPLACE HEATER

[76] Inventor: Homer P. Hansen, 1925 W. 24th St., Eugene, Oreg. 97405

[\*\*] Term: 14 Years

[21] Appl. No.: 932,036

[22] Filed: Aug. 8, 1978

[51] Int. Cl. .... D23-03

[52] U.S. Cl. .... D23/95

[58] Field of Search ..... D23/72, 93-97, D23/105, 106, 107, 118, 119, 127; 126/120, 121, 123, 126, 130, 135, 136, 141, 4, 6, 58, 60-66

[56] References Cited

U.S. PATENT DOCUMENTS

- D. 250,833 1/1979 Loftis et al. .... D23/97
- D. 251,131 2/1979 Jones ..... D23/97

4,015,581 4/1977 Martenson ..... 126/121

Primary Examiner—Catherine E. Kemper  
Attorney, Agent, or Firm—James D. Givnan, Jr.

[57] CLAIM

The ornamental design for a fireplace heater, as shown and described.

DESCRIPTION

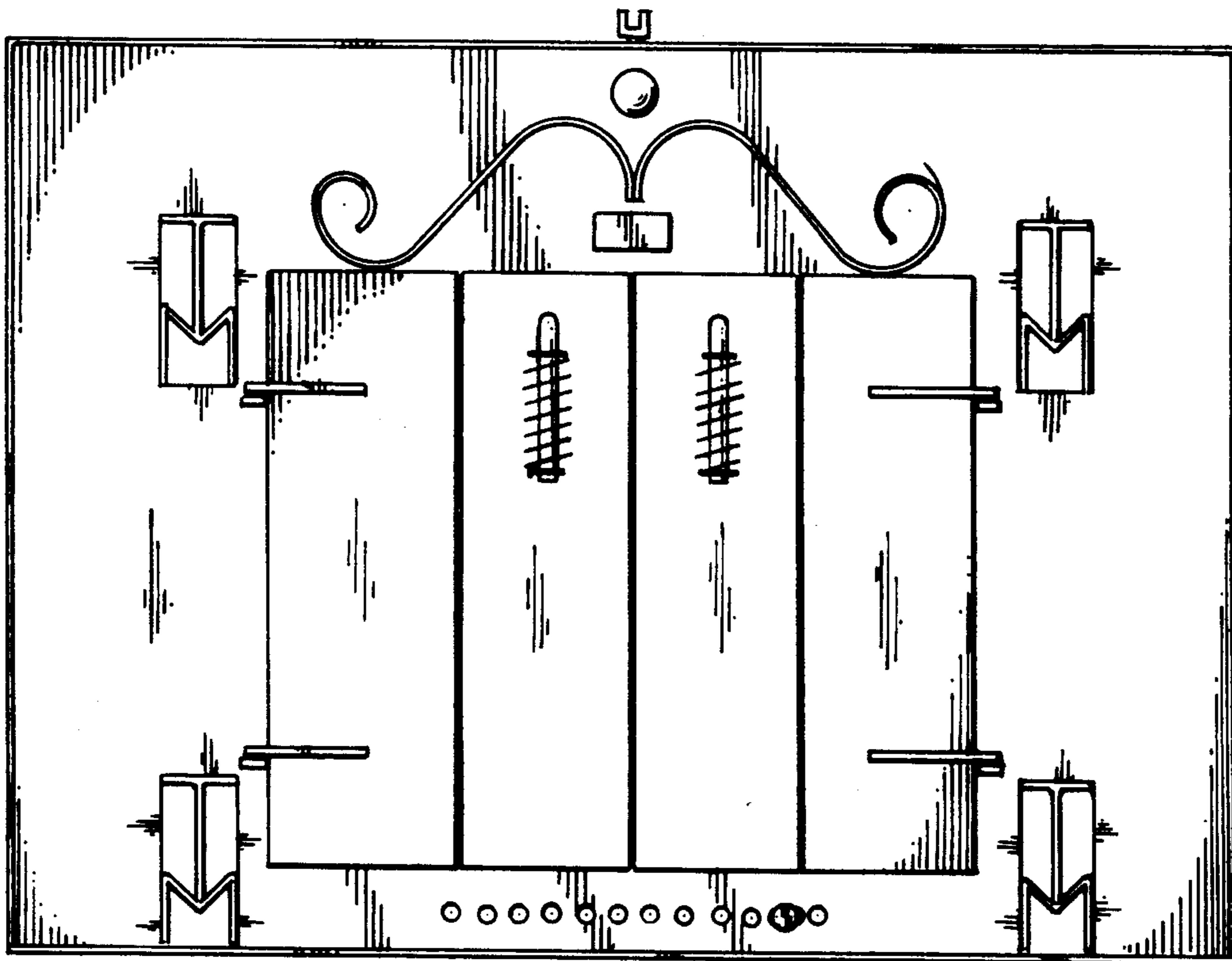
FIG. 1 is a front elevational view of the fireplace heater showing my new design;

FIG. 2 is a plan view of FIG. 1;

FIG. 3 is a side elevational view taken from the right side of FIG. 1 on a reduced scale, the left side being a mirror image of the right side shown herein;

FIG. 4 is a rear elevational view of FIG. 1 on a reduced scale; and

FIG. 5 is a bottom plan view of FIG. 1 on a reduced scale.



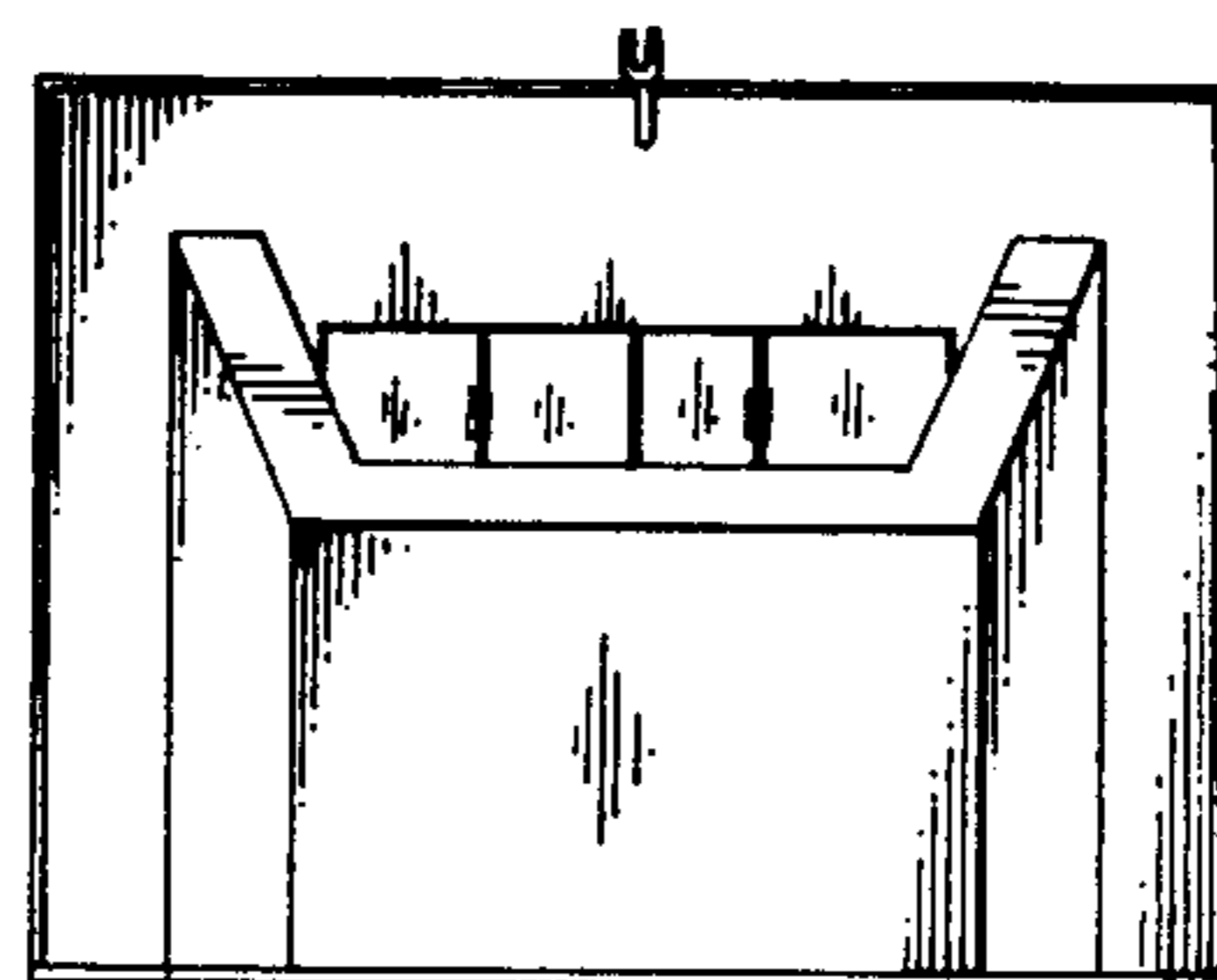
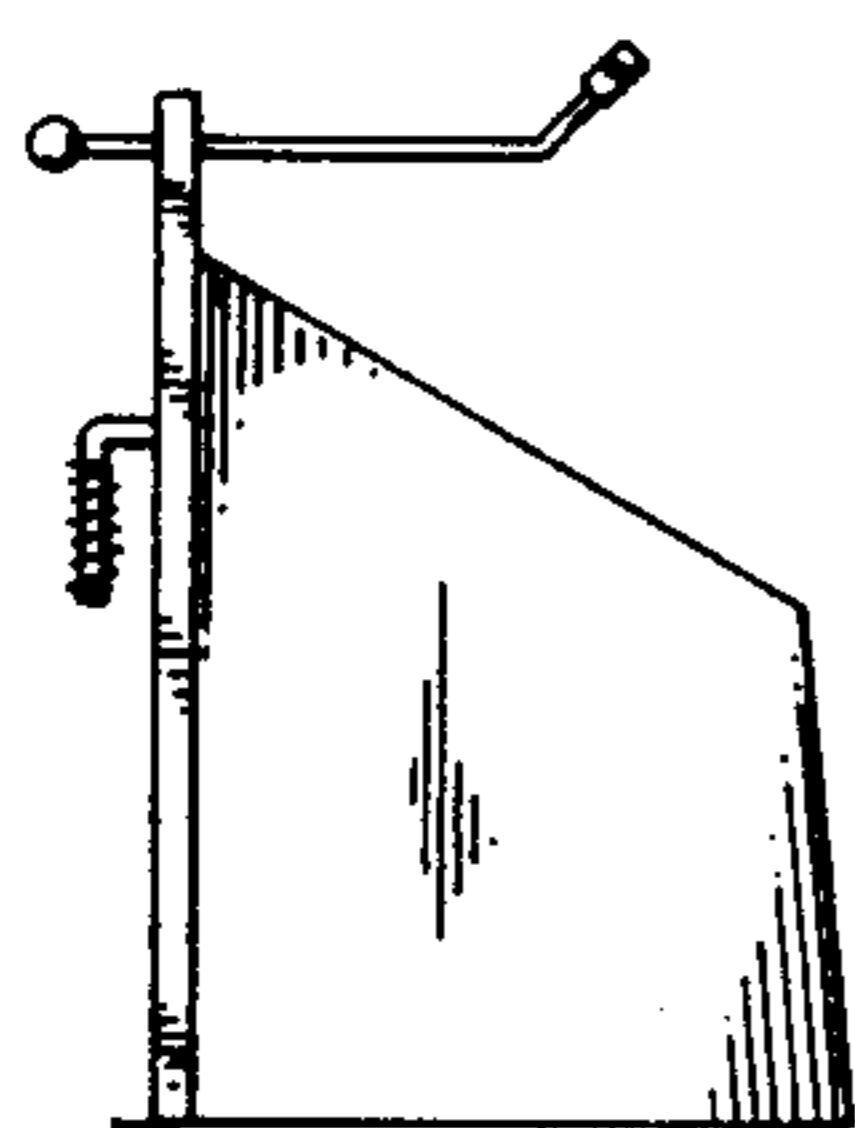
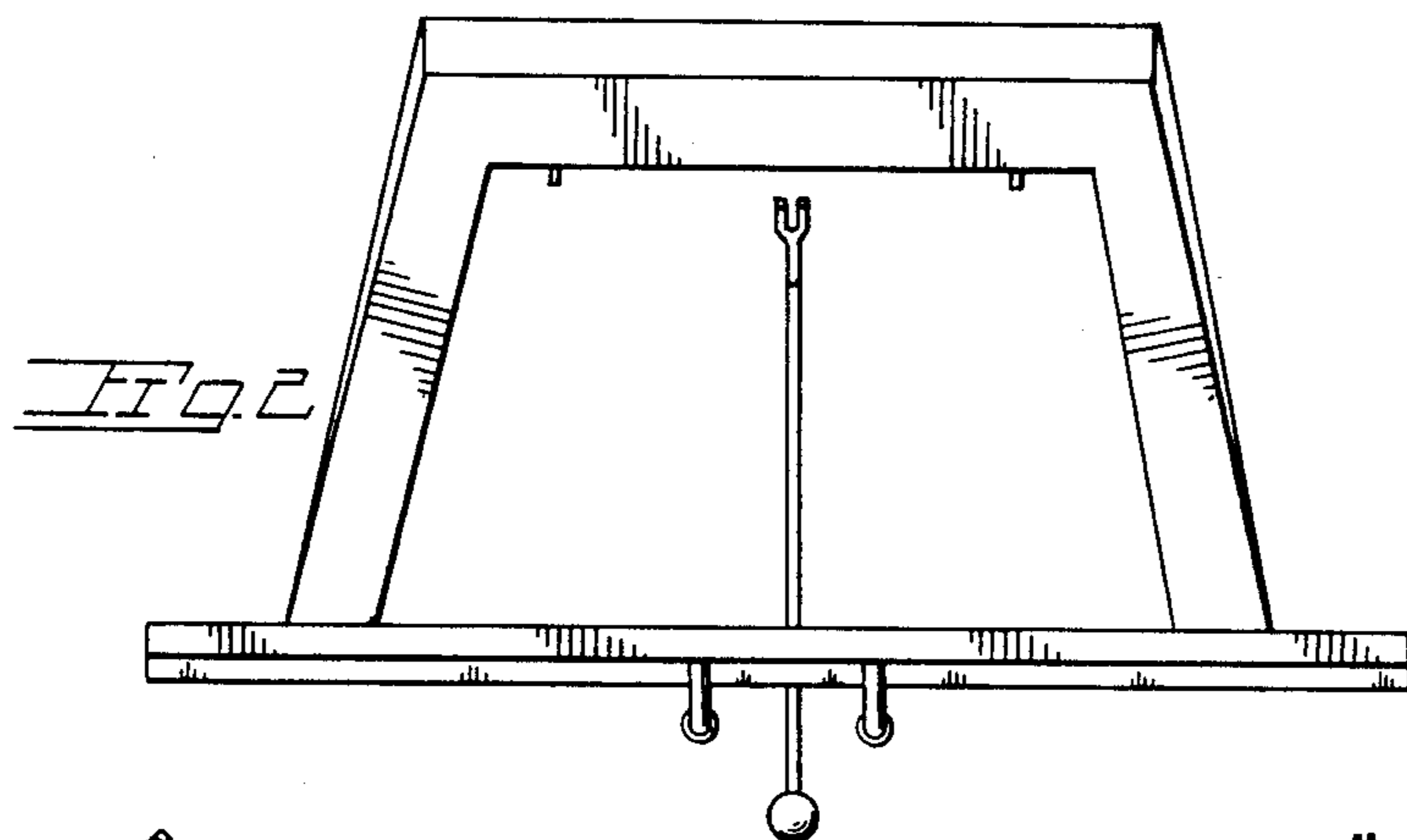
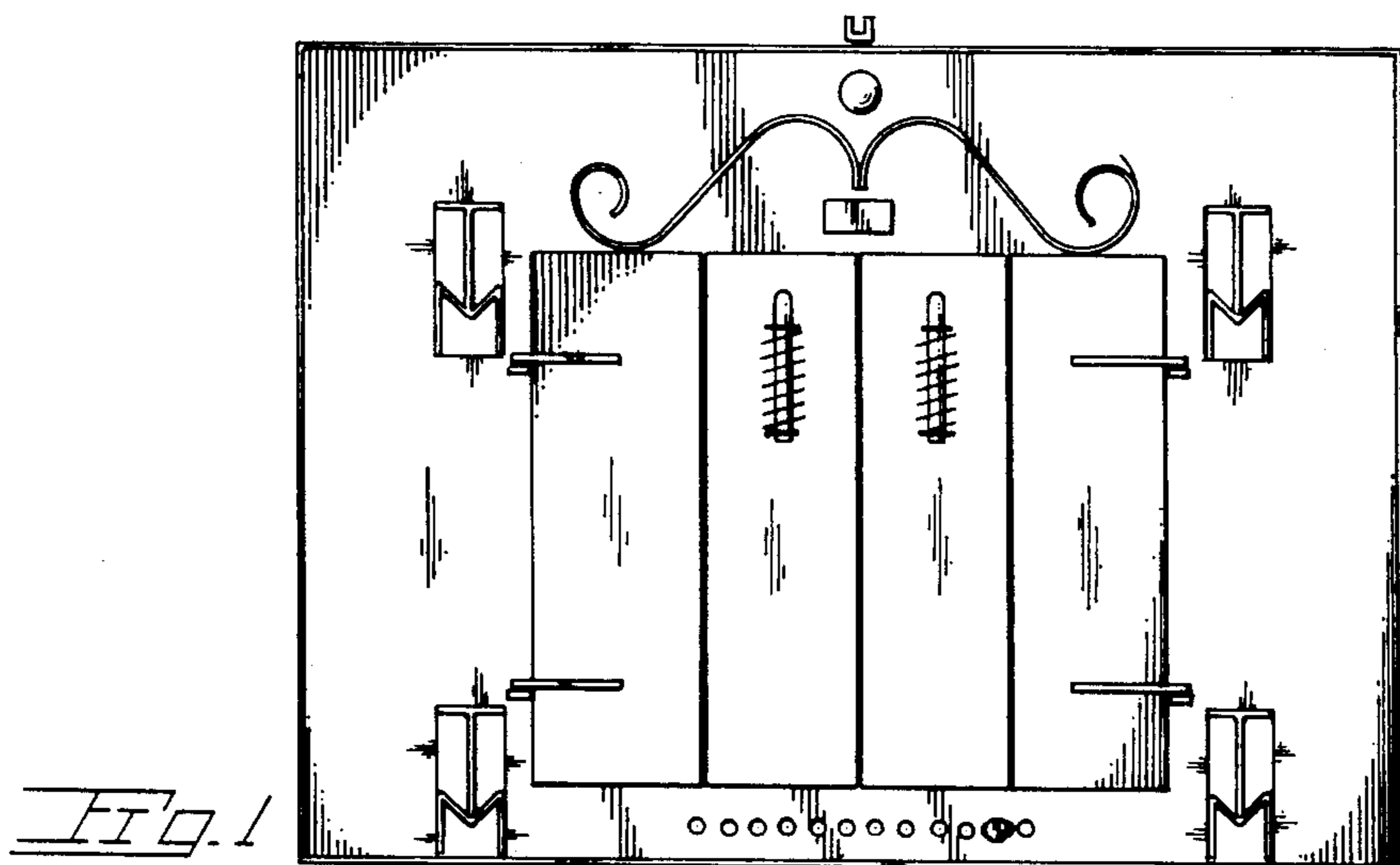


FIG. 3

FIG. 4

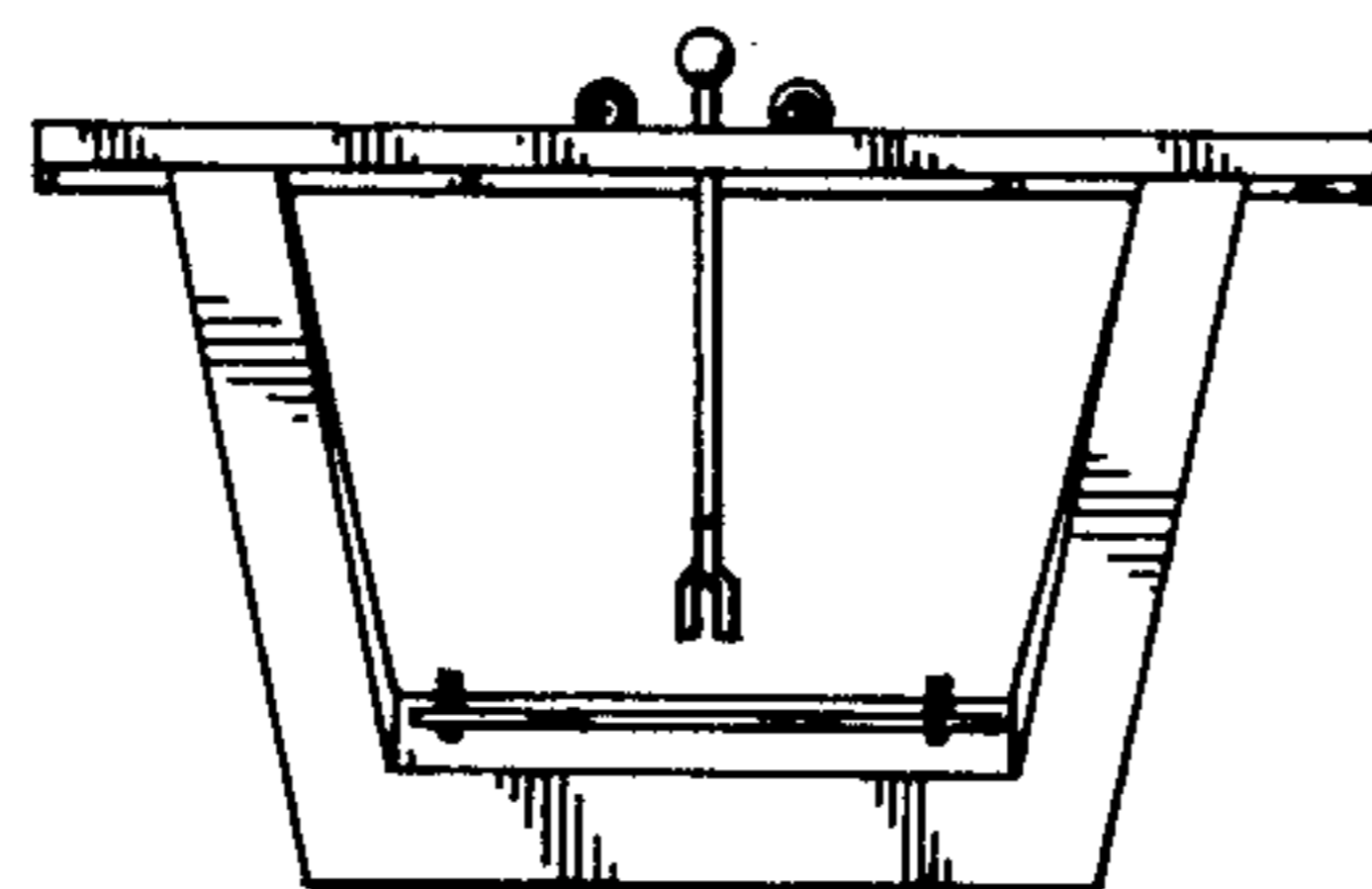


FIG. 5