

[54] LAWN SPRINKLER

[75] Inventor: Charles T. Hardy, Wilton Manors, Fla.

[73] Assignee: Safe-T-Lawn, Inc., Hialeah, Fla.

[\*\*] Term: 14 Years

[21] Appl. No.: 844,451

[22] Filed: Oct. 25, 1977

[51] Int. Cl. .... D23-01

[52] U.S. Cl. .... D23/7

[58] Field of Search ..... D23/6-12;  
239/230-233

[56] References Cited

U.S. PATENT DOCUMENTS

D. 162,712	4/1951	Calambini .....	D23/8
2,596,383	5/1952	Dunham .....	239/230
2,691,547	10/1954	Campbell .....	239/231 X
3,009,650	11/1961	Alvarez .....	239/230
3,022,012	2/1962	Sharp et al. ....	239/230
3,043,522	7/1962	Ryerson .....	239/230
3,581,994	6/1971	Heiberger .....	239/233 X

3,606,136	9/1971	Lewis .....	239/230
4,163,522	8/1979	Hardy .....	239/230

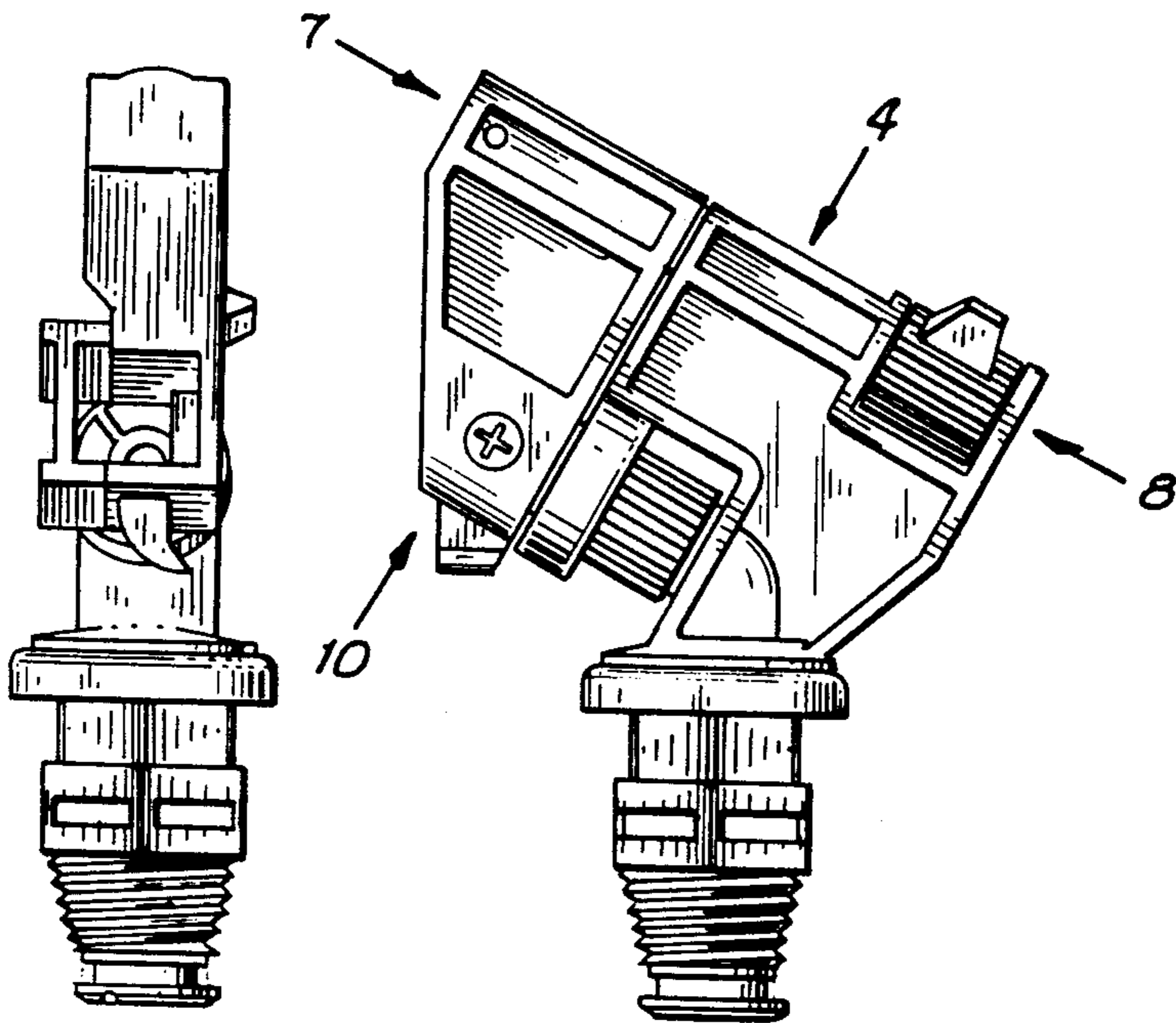
Primary Examiner—James R. Largen  
Attorney, Agent, or Firm—Malin & Haley

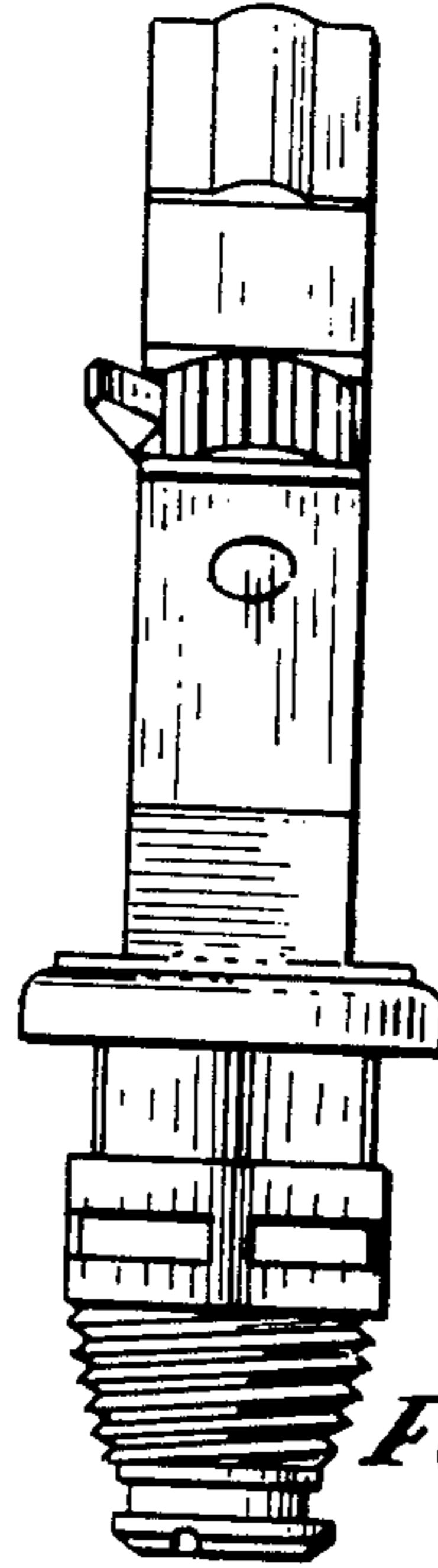
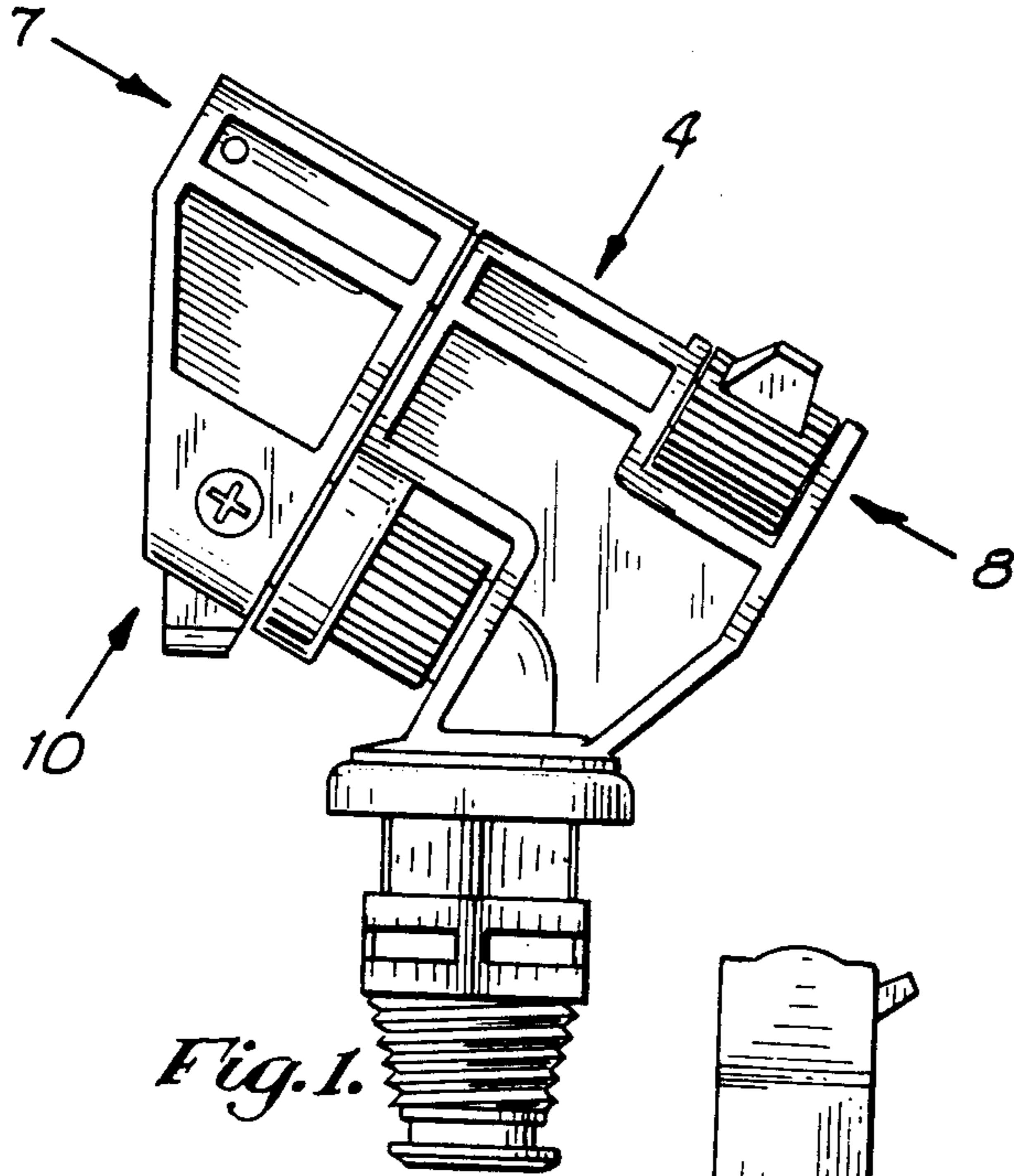
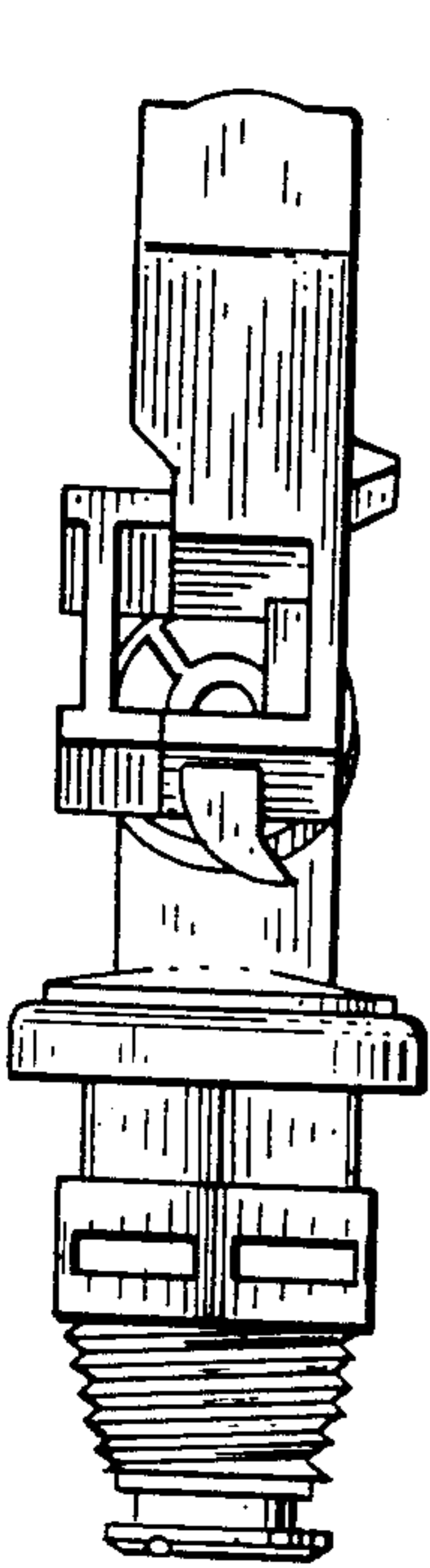
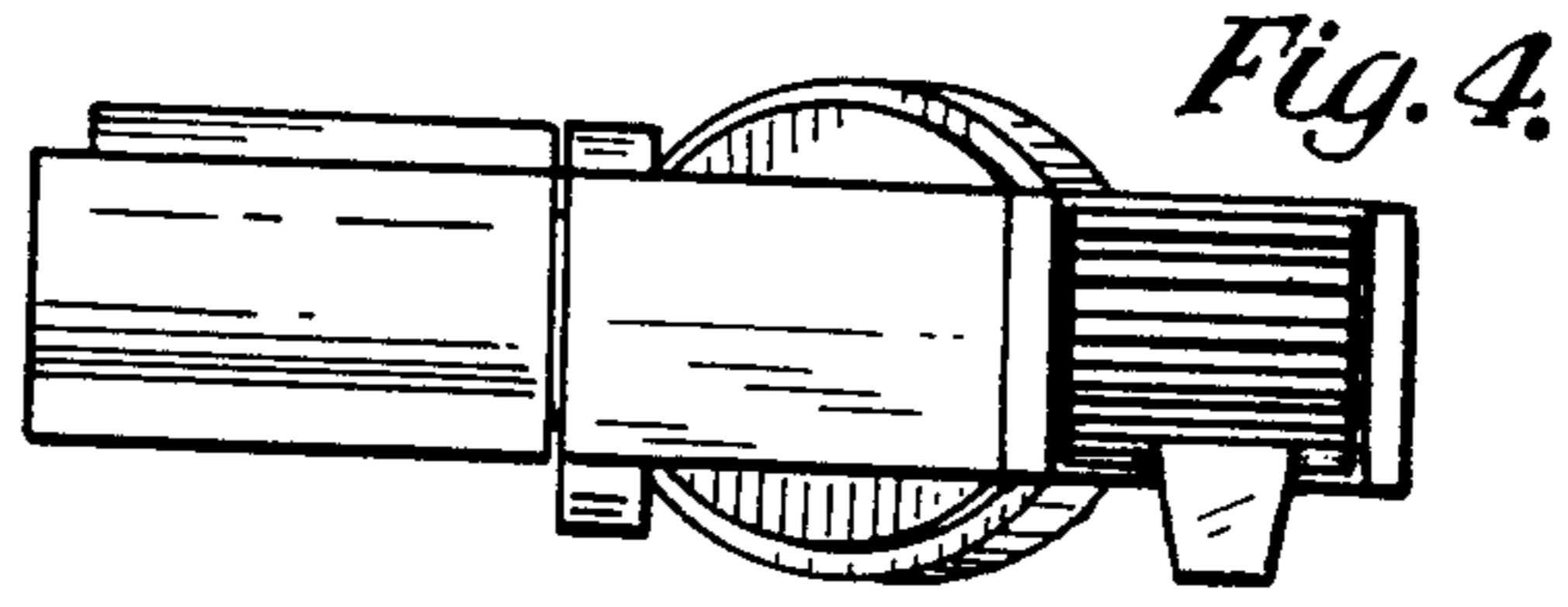
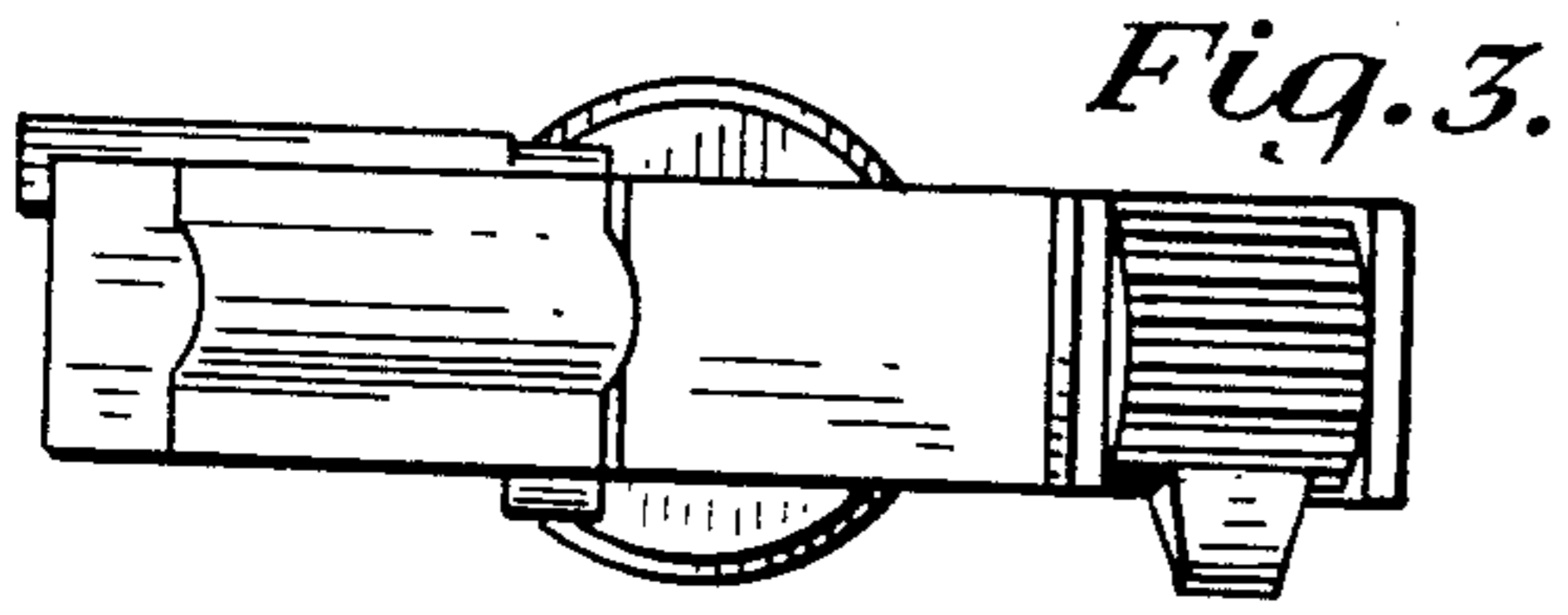
[57] CLAIM

The ornamental design for a lawn sprinkler, as shown and described.

DESCRIPTION

FIG. 1 is a right side elevational view of a lawn sprinkler showing my new design;  
FIG. 2 is a front elevational view thereof;  
FIG. 3 is a top plan view thereof;  
FIG. 4 is an elevational view taken from the direction of arrow 4 on FIG. 1;  
FIG. 5 is a rear elevational view thereof;  
FIG. 6 is a left side elevational view thereof;  
FIG. 7 is an elevational view taken from the direction of arrow 7 on FIG. 1;  
FIG. 8 is an elevational view taken from the direction of arrow 8 on FIG. 1;  
FIG. 9 is a bottom plan view thereof; and  
FIG. 10 is an elevational view taken from the direction of arrow 10 on FIG. 1.

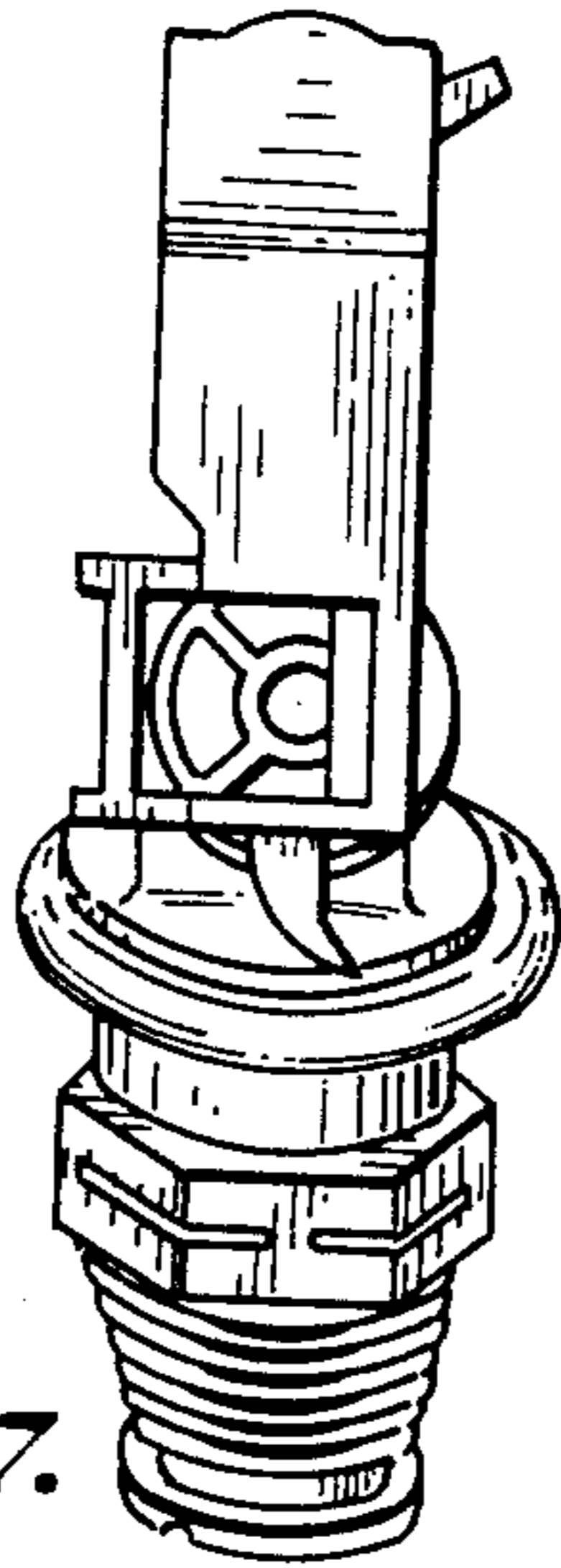
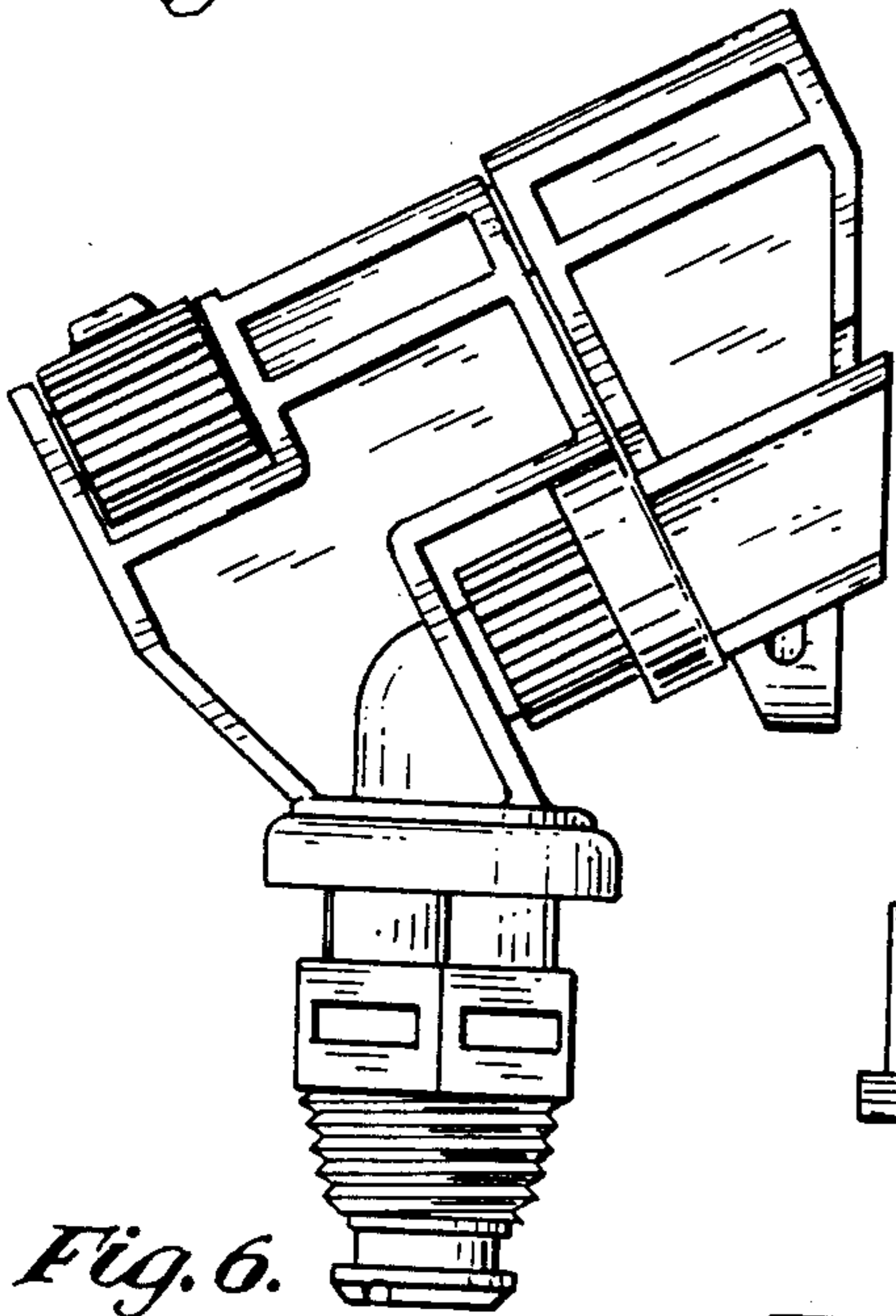




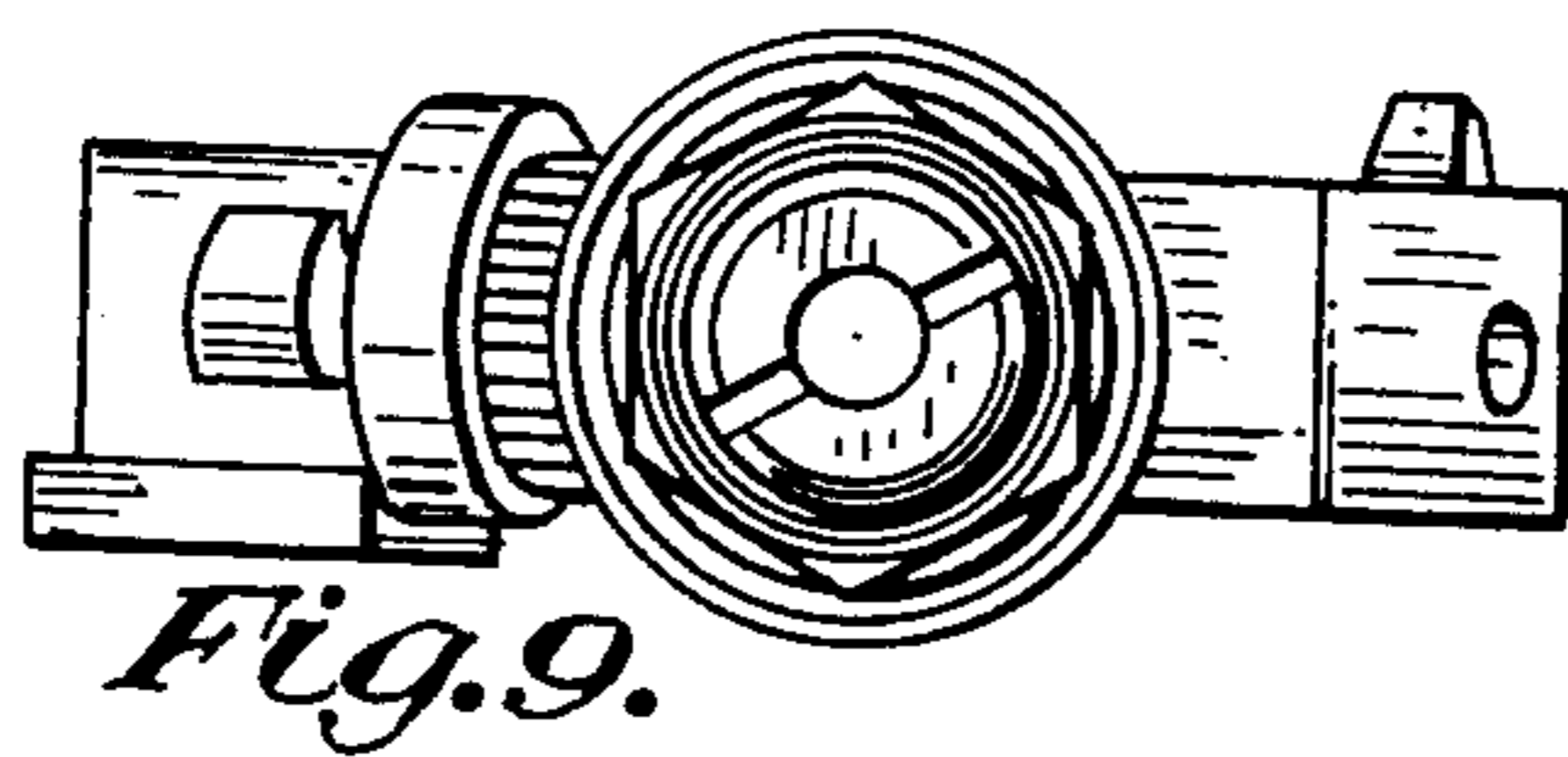
*Fig. 2.*

*Fig. 1.*

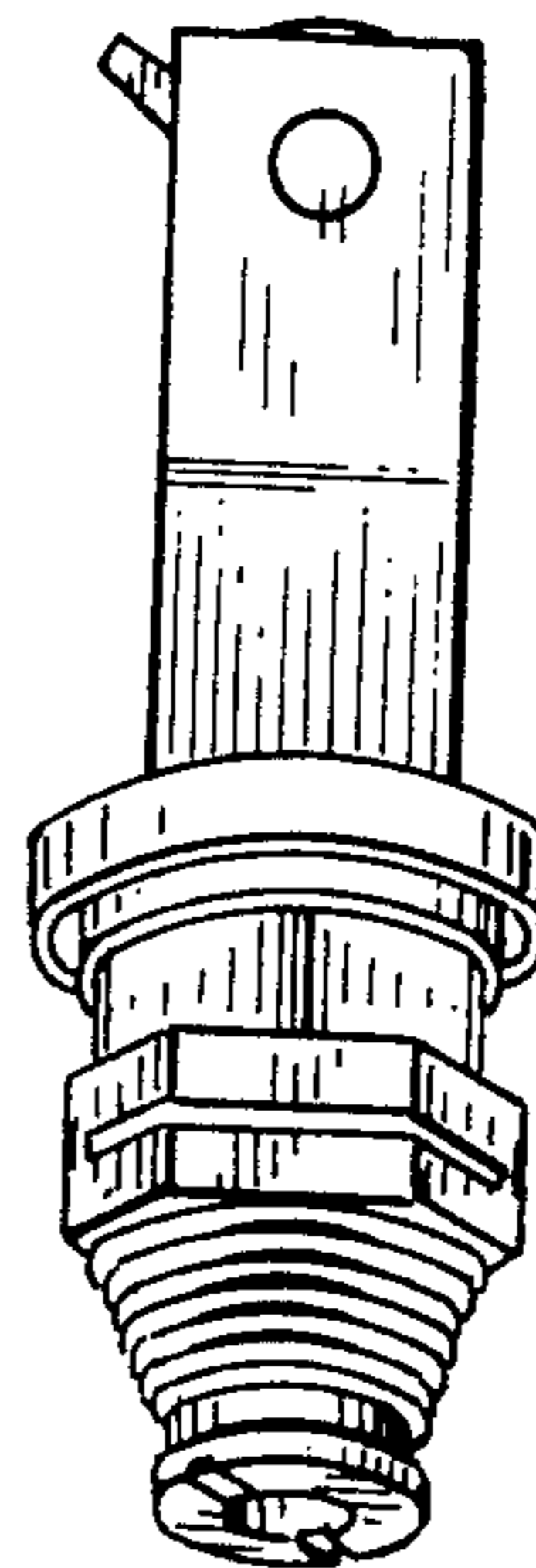
*Fig. 5.*



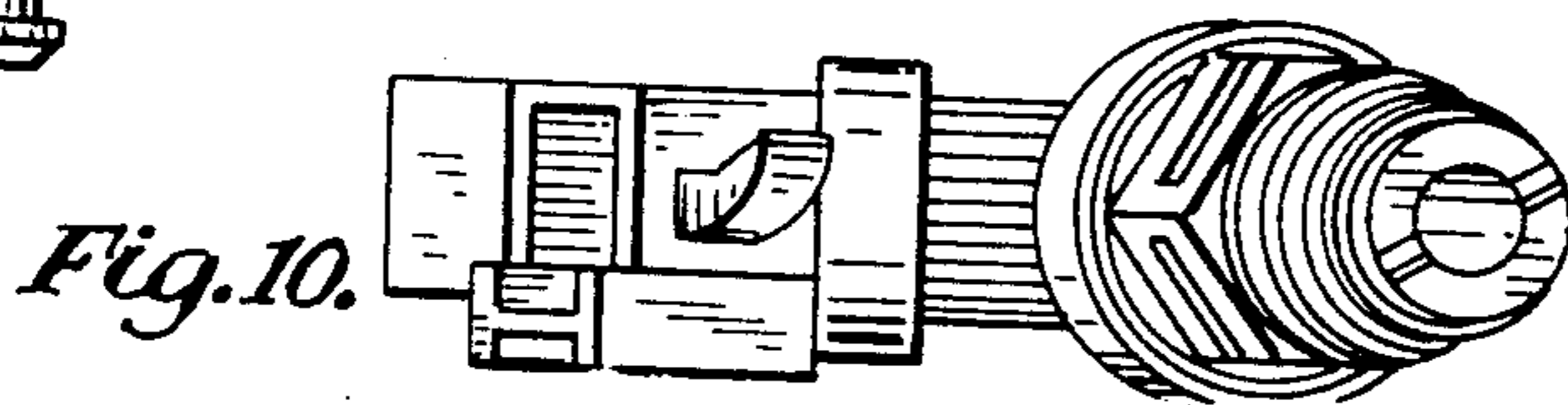
*Fig. 7.*



*Fig. 9.*



*Fig. 8.*



*Fig. 10.*