

[54] FISHING REEL

[75] Inventors: **Chuuji Deguchi, Musashino; Shosuke Nakauchi, Saitama, both of Japan**

[73] Assignee: **Olympic Fishing Tackle Co., Ltd., Saitama, Japan**

[\*\*] Term: **14 Years**

[21] Appl. No.: **867,295**

[22] Filed: **Jan. 5, 1978**

[51] Int. Cl. .... **D22-05**

[52] U.S. Cl. .... **D22/25**

[58] Field of Search ..... **D22/25; 242/84.1 R, 242/84.1 J, 84.2 R-84.2 H, 84.21 R, 84.21 A**

[56] **References Cited**

**U.S. PATENT DOCUMENTS**

D. 170,389 9/1953 Shakespeare et al. .... **D22/25**

D. 191,114	8/1961	Sparks et al. ....	D22/25
D. 193,788	10/1962	Wood .....	D22/25
D. 206,885	2/1967	Taggart et al. ....	D22/25
D. 213,621	3/1969	Velte, Jr. ....	D22/25
D. 246,662	12/1977	Okada .....	D22/25
3,329,373	7/1967	Wood, Jr. ....	D22/25 X

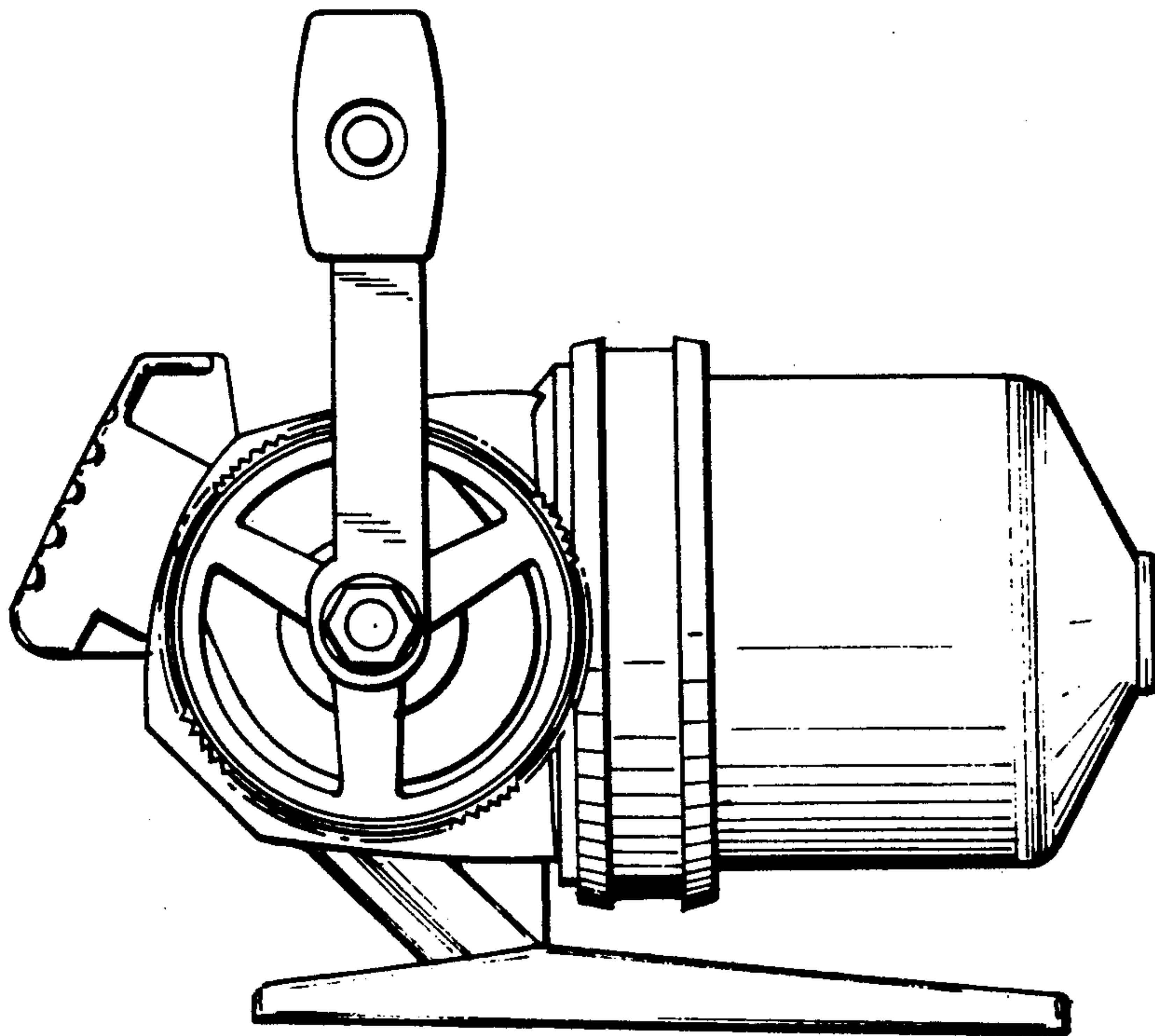
*Primary Examiner*—A. Hugo Word  
*Attorney, Agent, or Firm*—Birch, Stewart, Kolasch & Birch

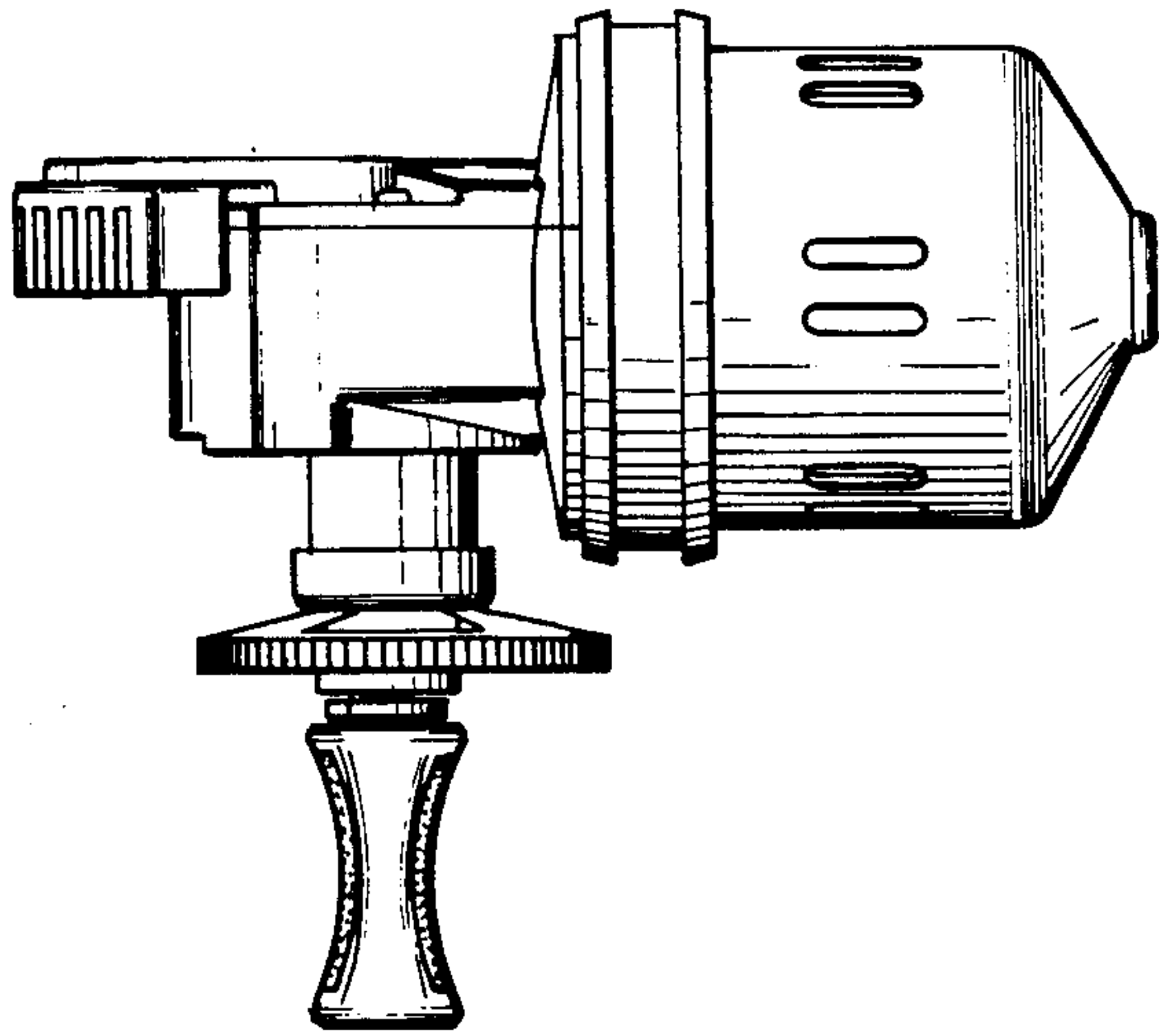
[57] **CLAIM**

The ornamental design of a fishing reel, as shown and described.

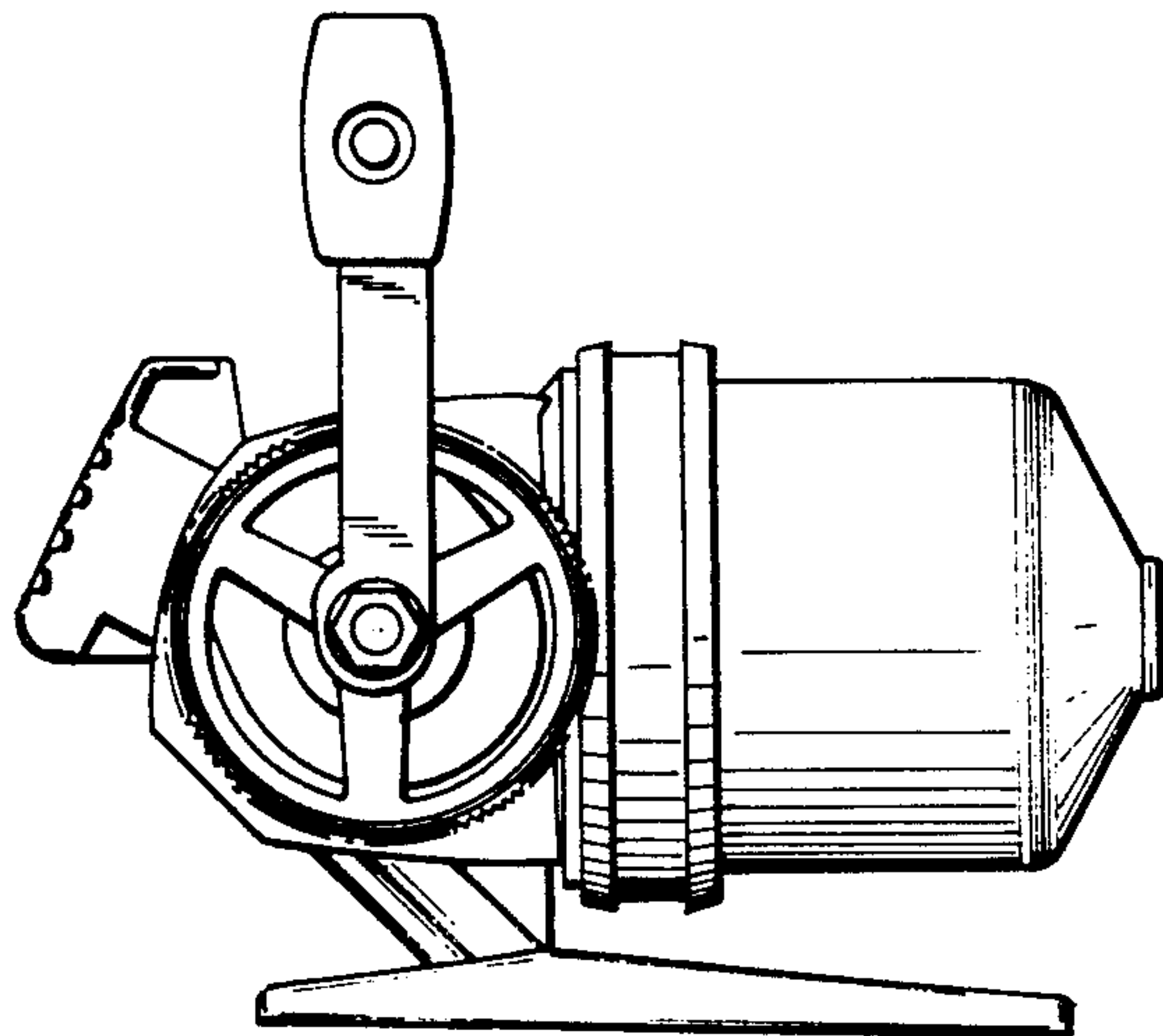
**DESCRIPTION**

FIG. 1 is a top plan view thereof;  
FIG. 2 is a right side elevational view thereof;  
FIG. 3 is a bottom plan view thereof;  
FIG. 4 is a left side elevational view thereof;  
FIG. 5 is a rear elevational view thereof; and  
FIG. 6 is a front elevational view thereof.

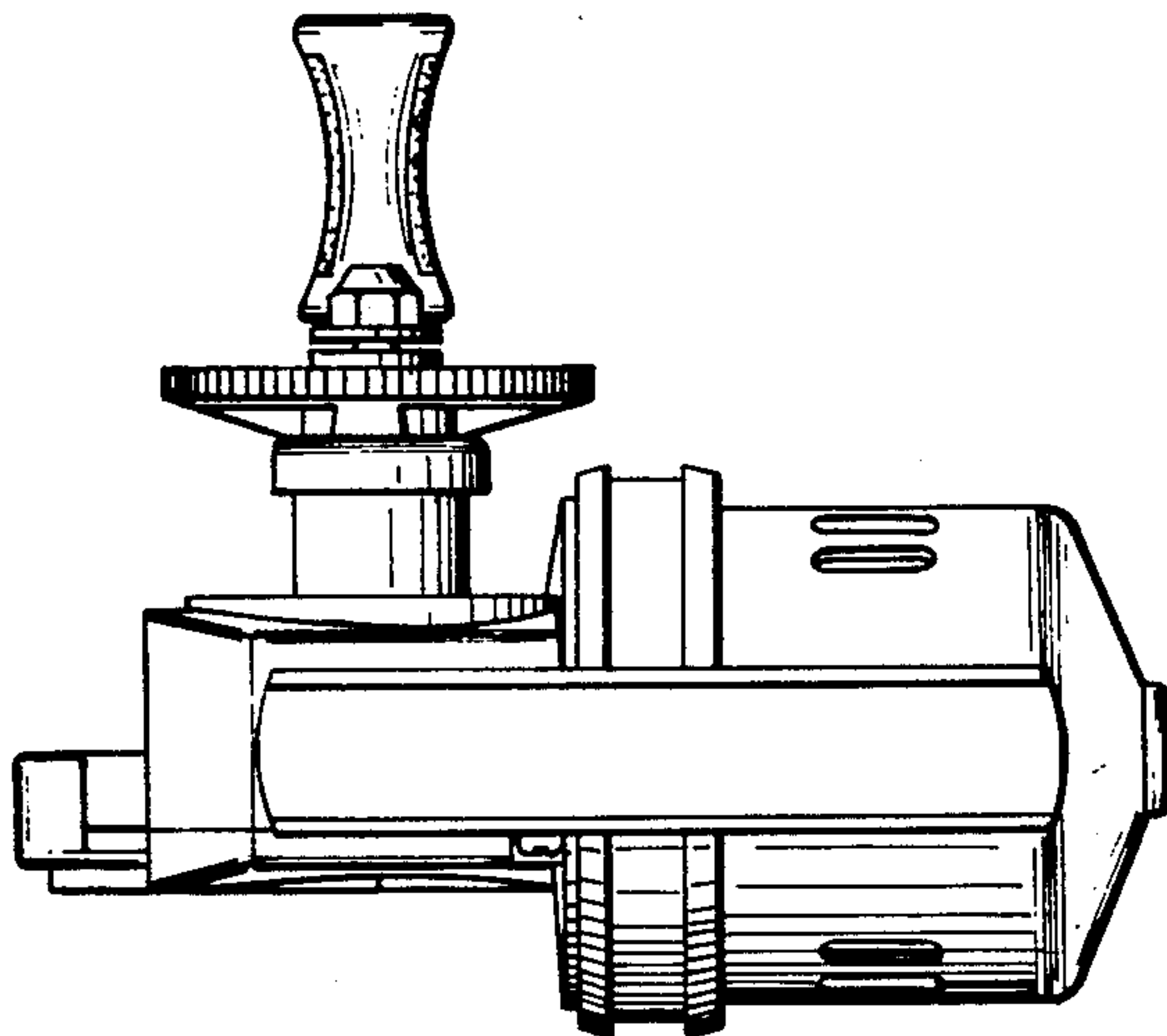




*FIG. 1*



*FIG. 2*



*FIG. 3*

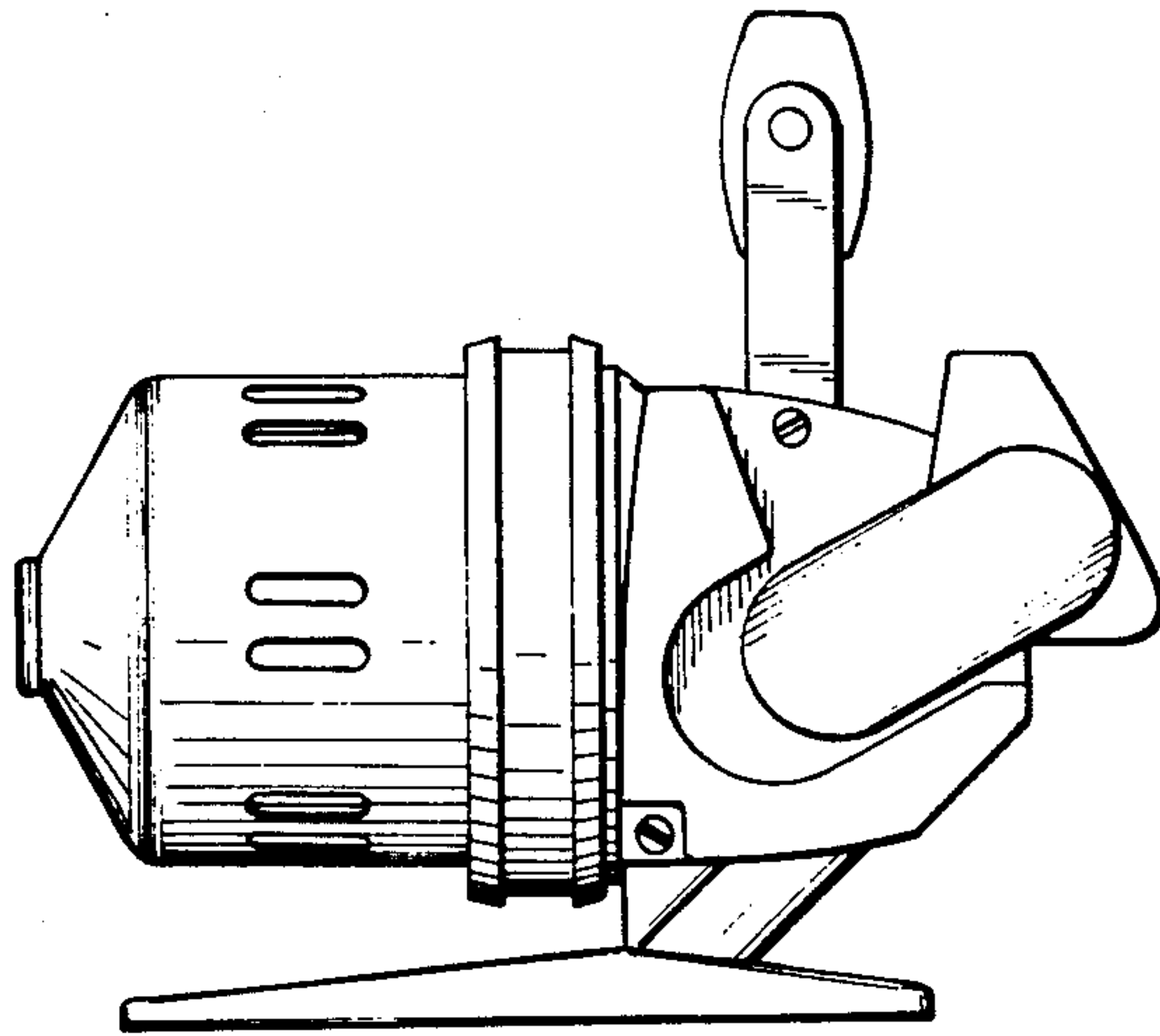


FIG. 4

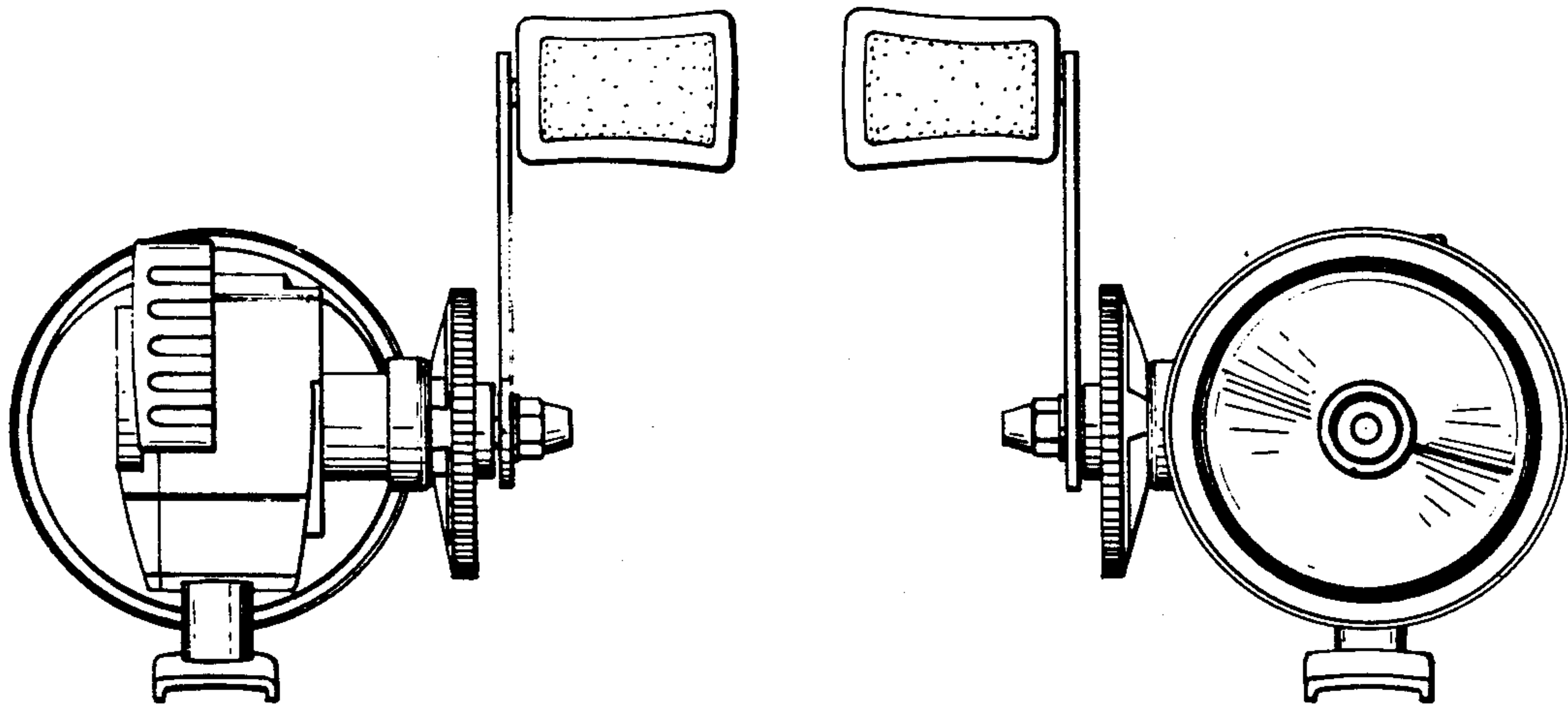


FIG. 5

FIG. 6