

[54] GOLF PUTTING TARGET

[76] Inventor: Jan Göransson, Ekliden 20, Örkelljunga, Sweden, 286 00

[**] Term: 14 Years

[21] Appl. No.: 857,200

[22] Filed: Dec. 2, 1977

[51] Int. Cl. D21-01

[52] U.S. Cl. D21/234

[58] Field of Search D21/234; 273/176 F, 273/176 FB, 176 H, 178 B

[56] References Cited

U.S. PATENT DOCUMENTS

2,176,622	10/1939	Davis	273/176 F
2,539,046	1/1951	Wright	273/178 B
2,827,299	3/1958	Dean	273/178 B
3,831,949	8/1974	Henning	273/176 H

FOREIGN PATENT DOCUMENTS

544555 11/1956 Italy 273/176 F

Primary Examiner—Melvin B. Feifer

Attorney, Agent, or Firm—John J. Dennemeyer

[57] CLAIM

The ornamental design of golf putting target, as shown and described.

DESCRIPTION

FIG. 1 is a perspective view of a golf putting target showing my new design;

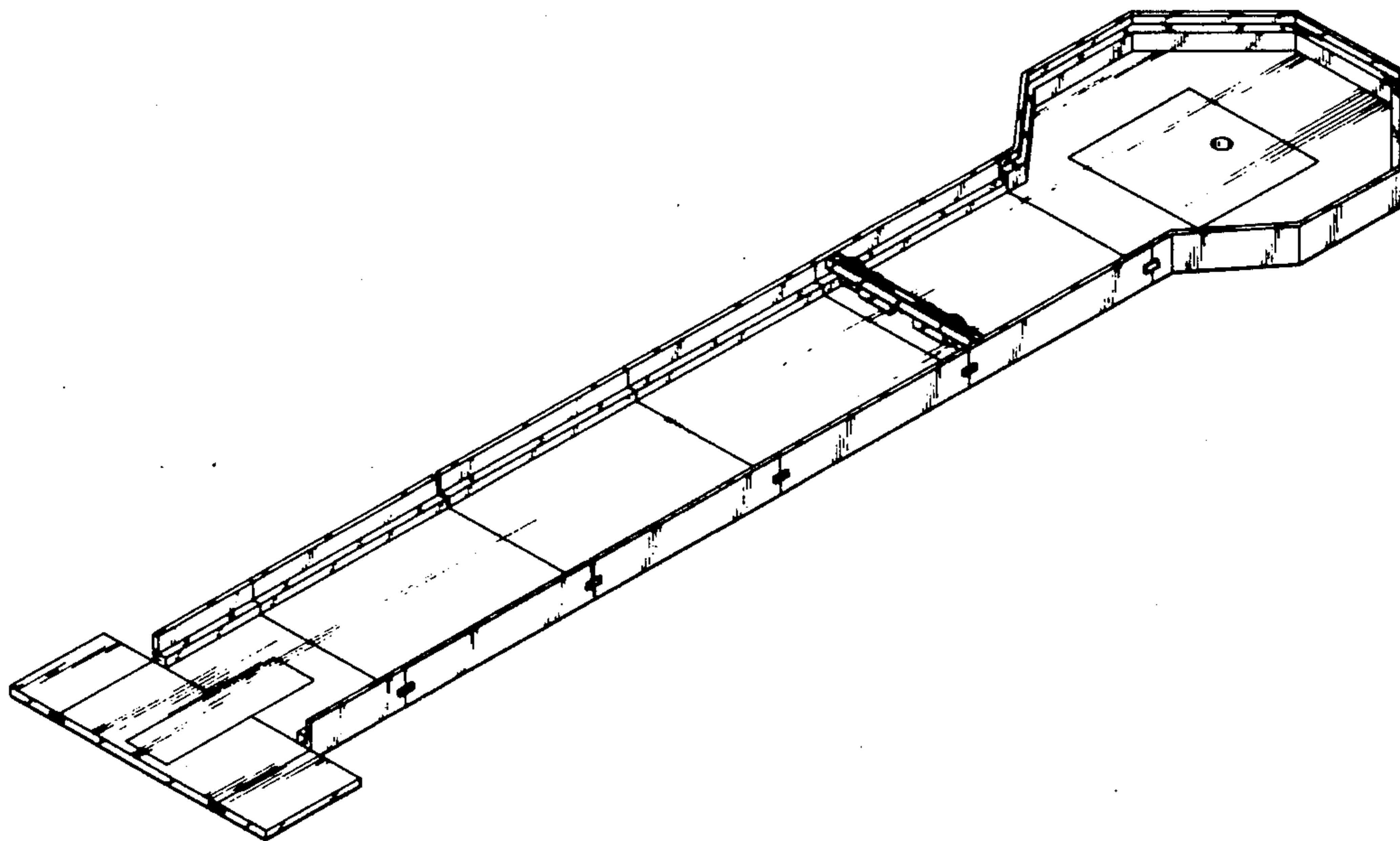
FIG. 2 is a perspective view of the golf putting target of FIG. 1 showing two adjustable elements in a different position;

FIG. 3 is a plan view of FIG. 1;

FIG. 4 is an end view thereof seen from the left side;

FIG. 5 is an end view thereof seen from the right side;

FIG. 6 is a side view thereof.



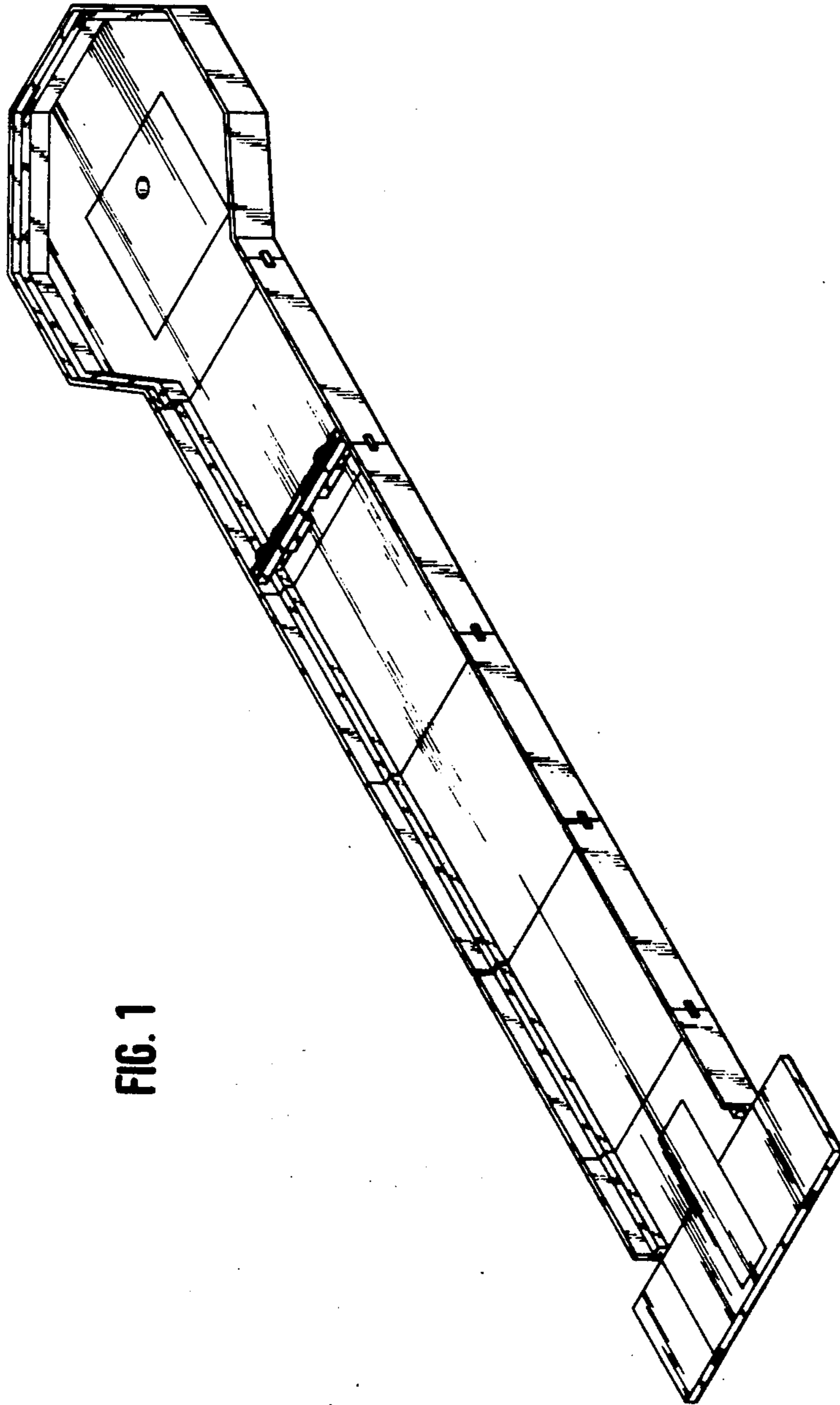


FIG. 1

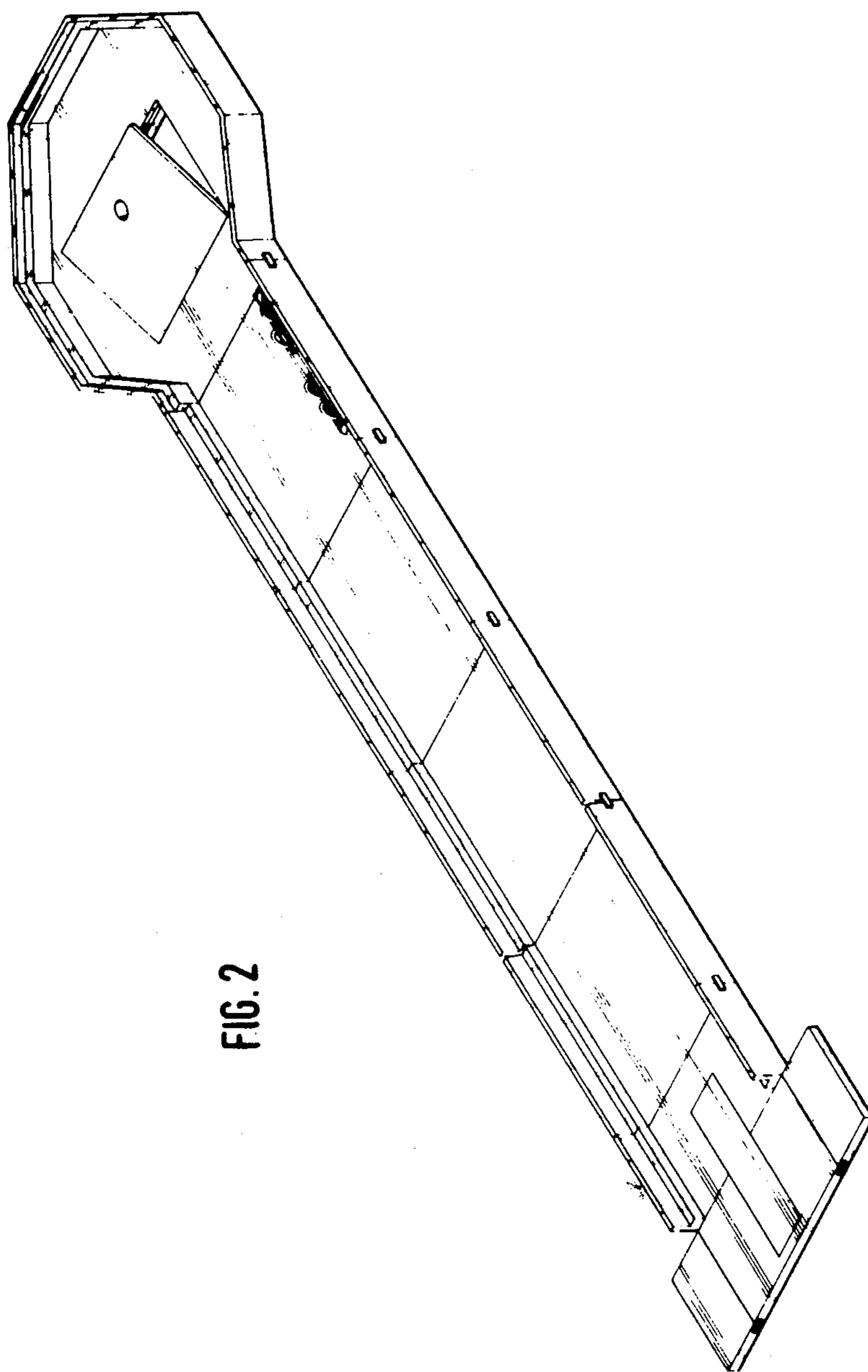


FIG. 2

FIG. 5

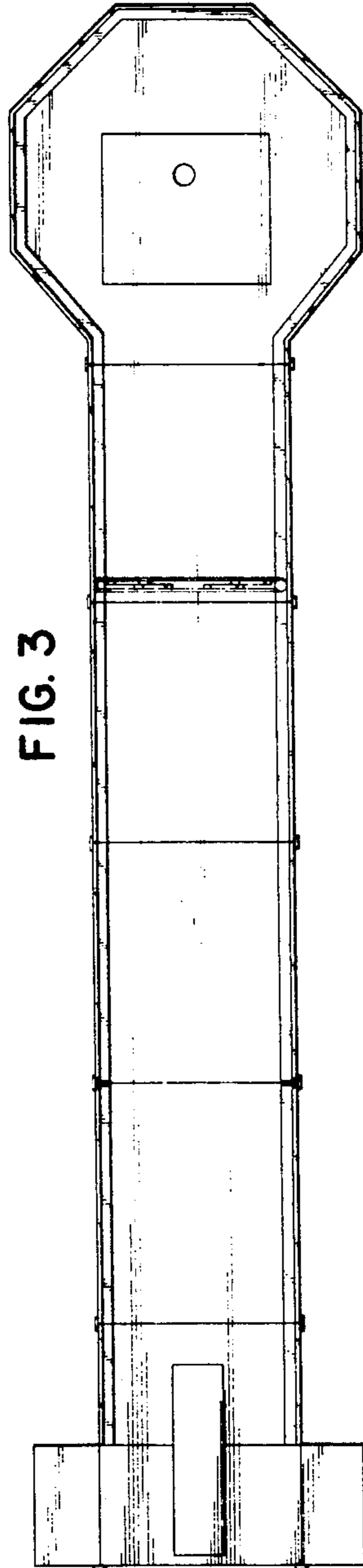
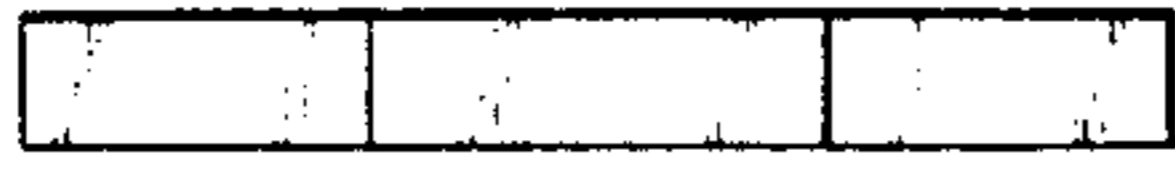


FIG. 3

FIG. 4

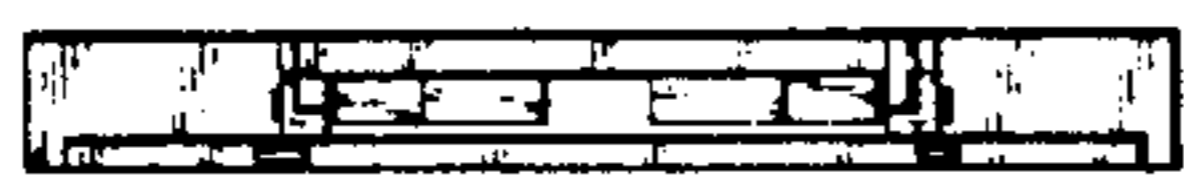


FIG. 6