

[54] TENNIS BALL RETRIEVER

[76] Inventor: Donald O. Wright, 26333 Belle Porte Ave., Harbor City, Calif. 90710

[\*\*] Term: 14 Years

[21] Appl. No.: 893,501

[22] Filed: Apr. 4, 1978

[51] Int. Cl. .... D21-02

[52] U.S. Cl. .... D21/206

[58] Field of Search ..... D21/206; 294/19 A

[56] References Cited

U.S. PATENT DOCUMENTS

D. 244,149 7/1977 Davis ..... D21/206  
771,866 10/1904 Smith ..... 294/19 A

FOREIGN PATENT DOCUMENTS

469482 7/1937 United Kingdom ..... 294/19 A

Primary Examiner—Melvin B. Feifer  
Attorney, Agent, or Firm—John Holtrichter, Jr.

[57] CLAIM

The ornamental design for a tennis ball retriever, substantially as shown and described.

DESCRIPTION

FIG. 1 is a perspective view of the front of a tennis ball retriever showing my new design; FIG. 2 is a top plan view thereof; FIG. 3 is a rear elevational view thereof; FIG. 4 is an end elevational view thereof; FIG. 5 is a front elevational view thereof; and FIG. 6 is a bottom plan view thereof.

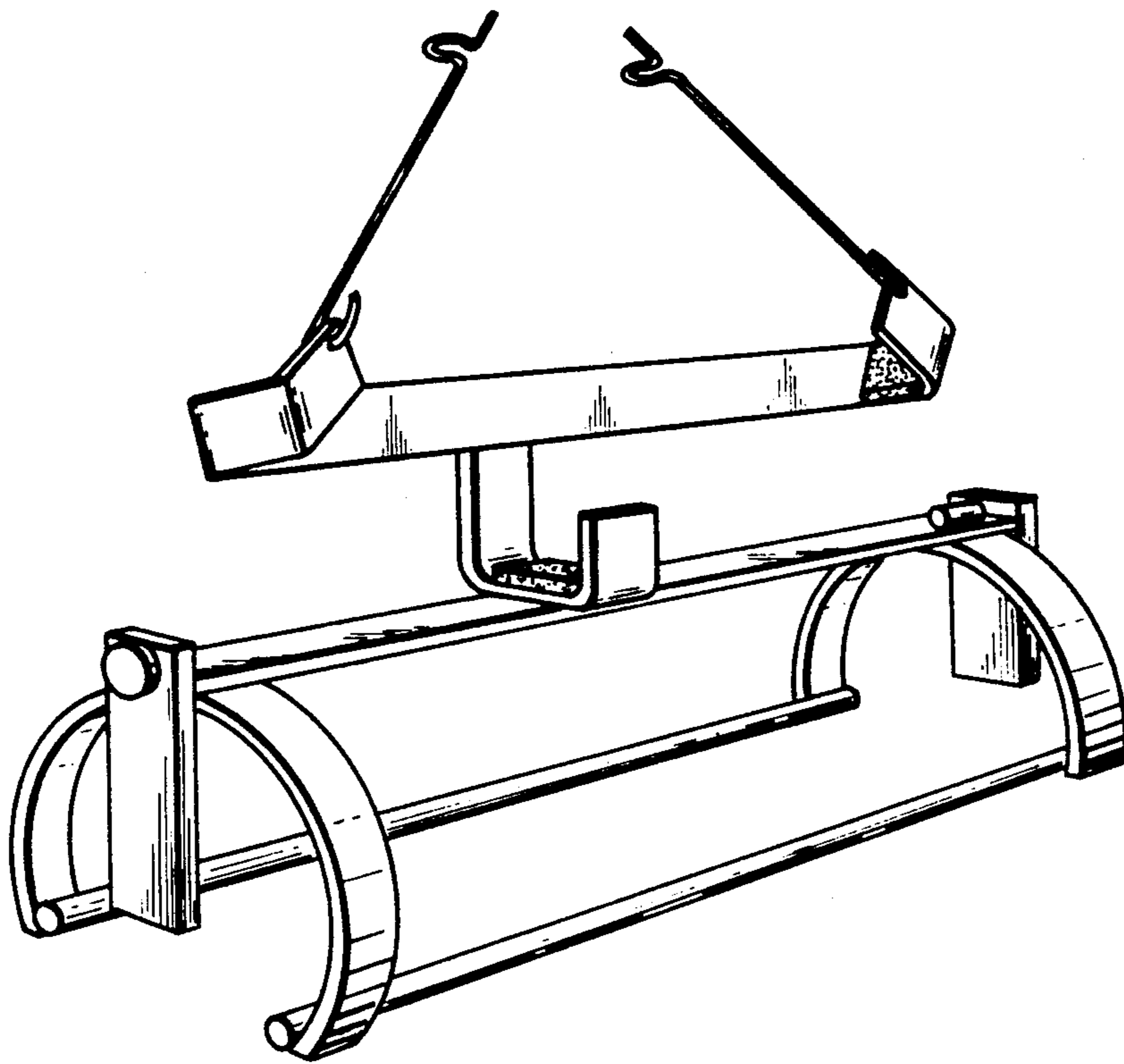


Fig. 1.

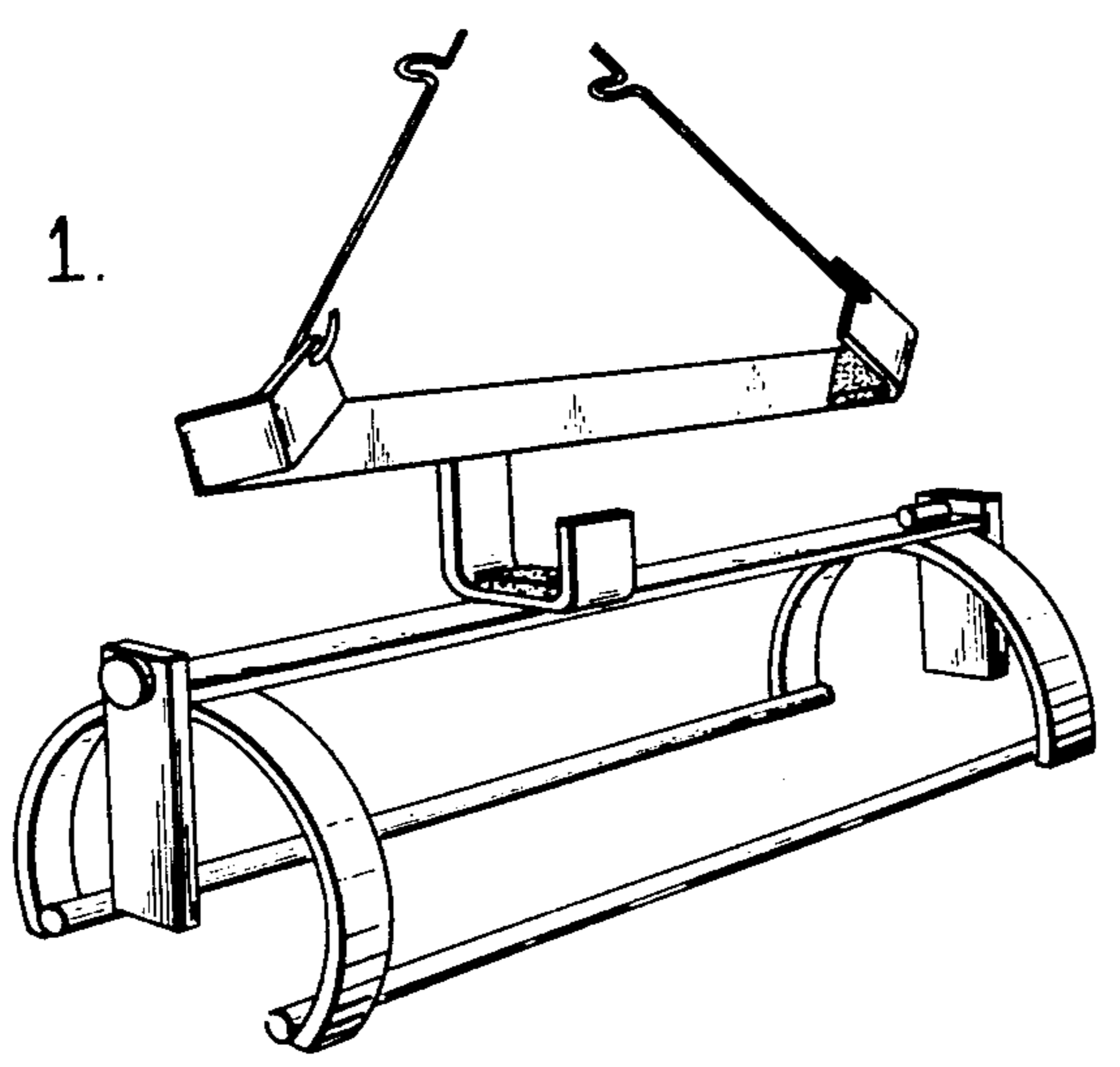


Fig. 2.

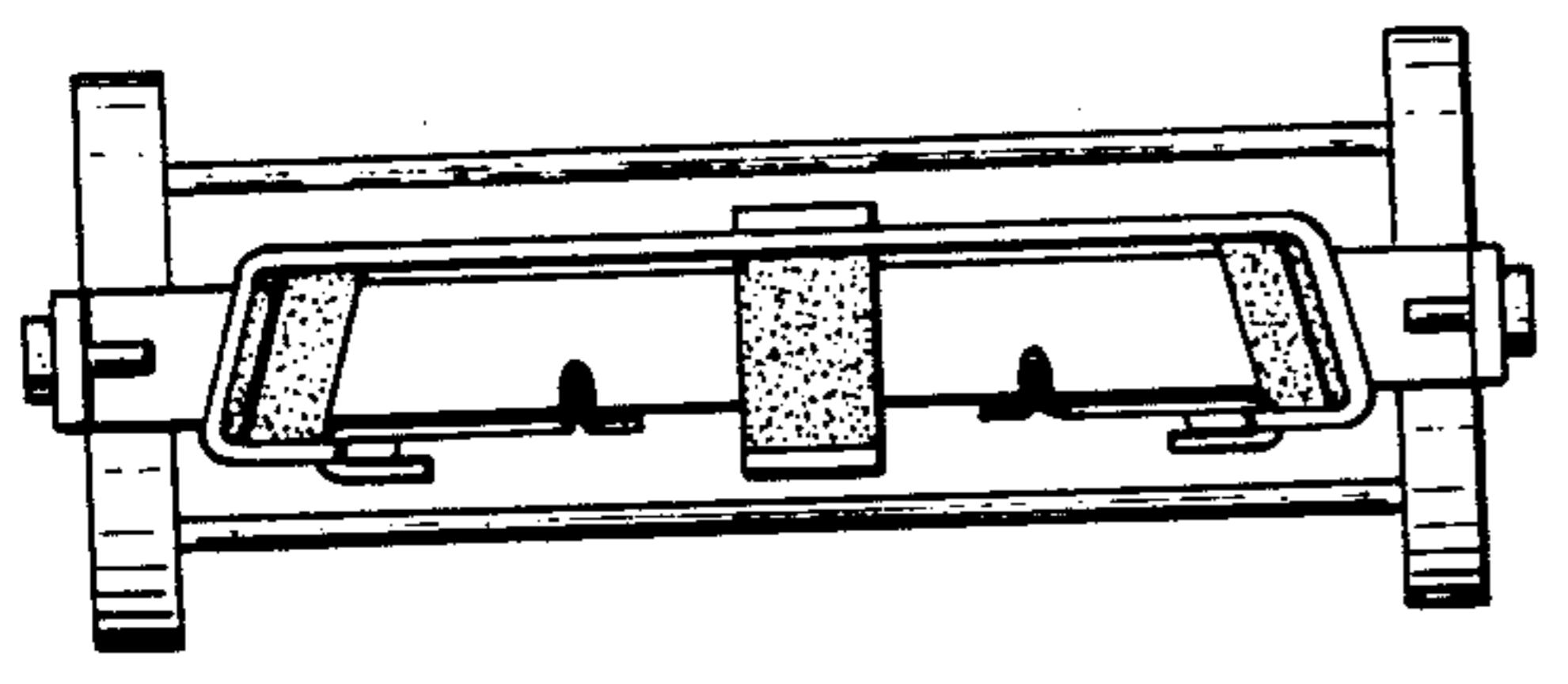


Fig. 3.

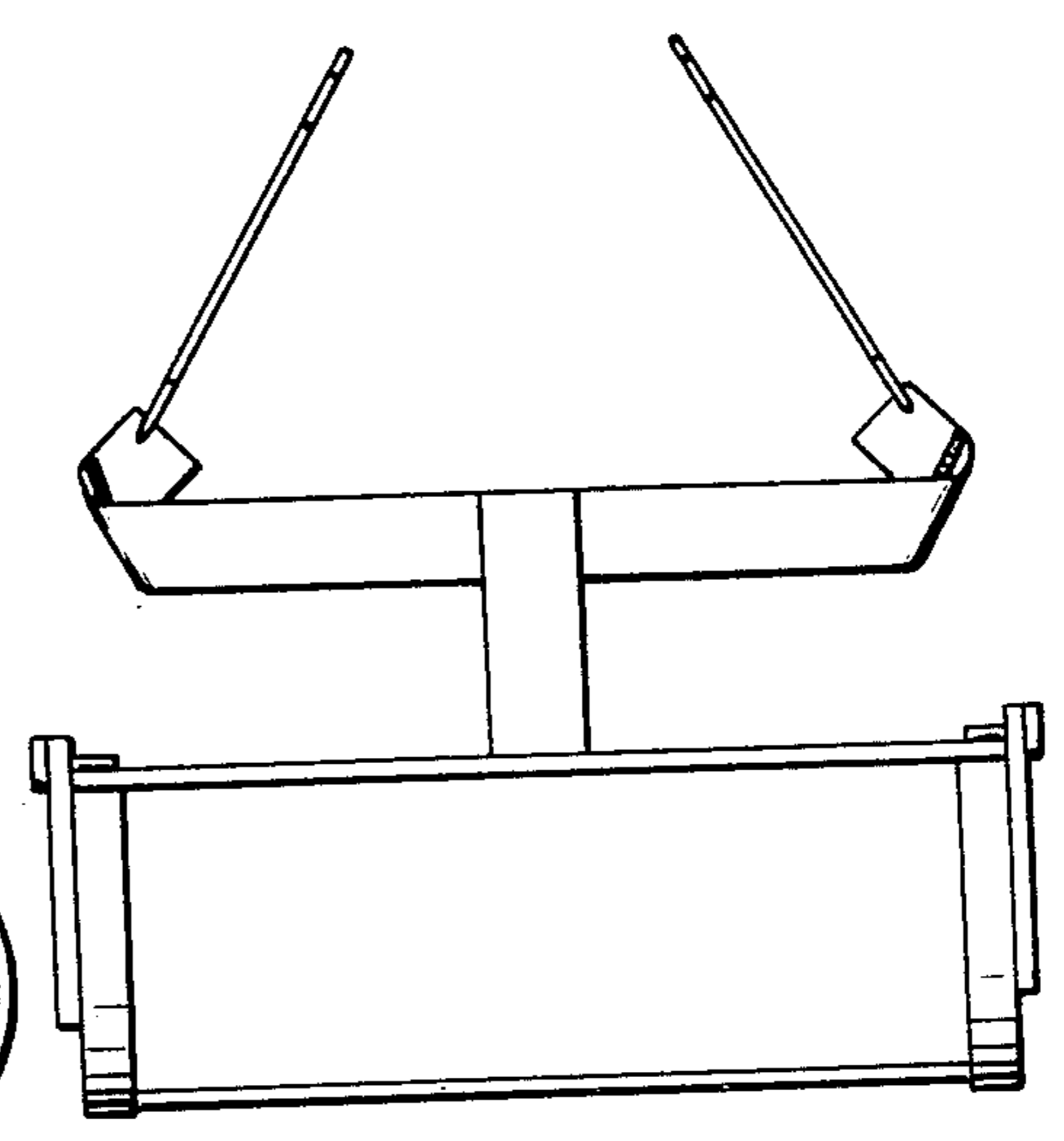


Fig. 5.

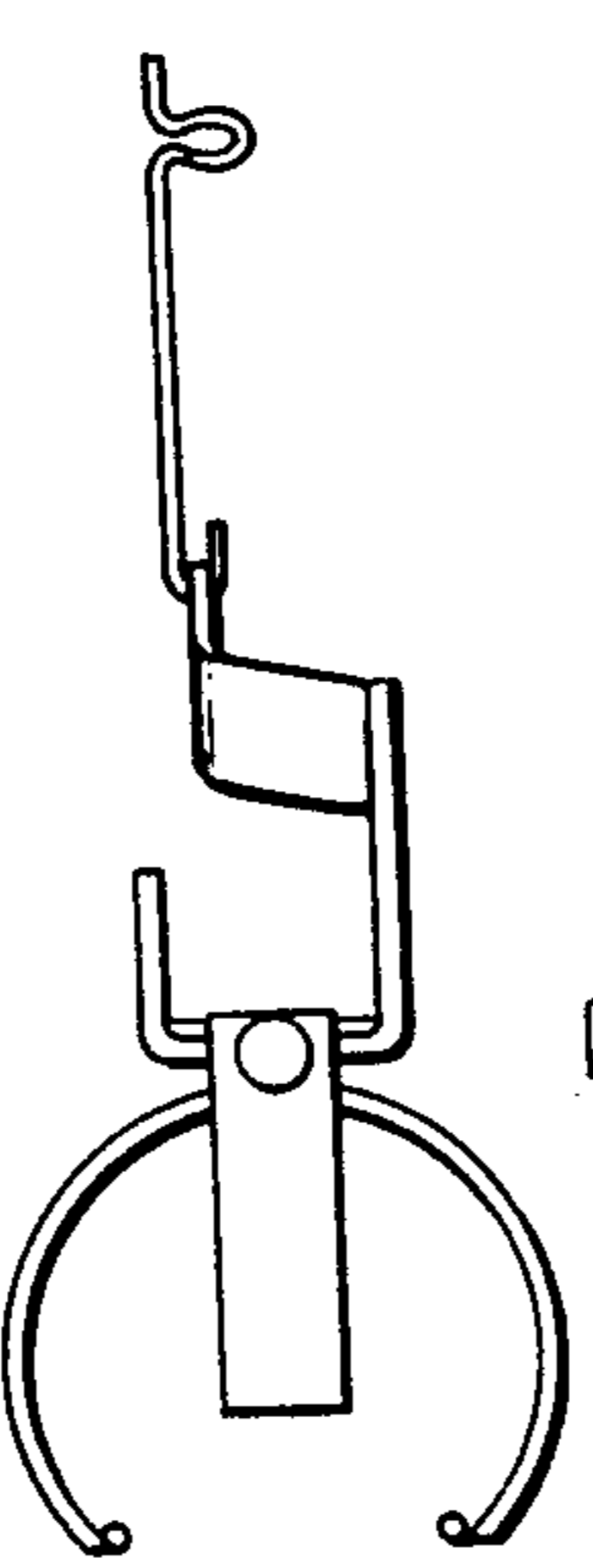
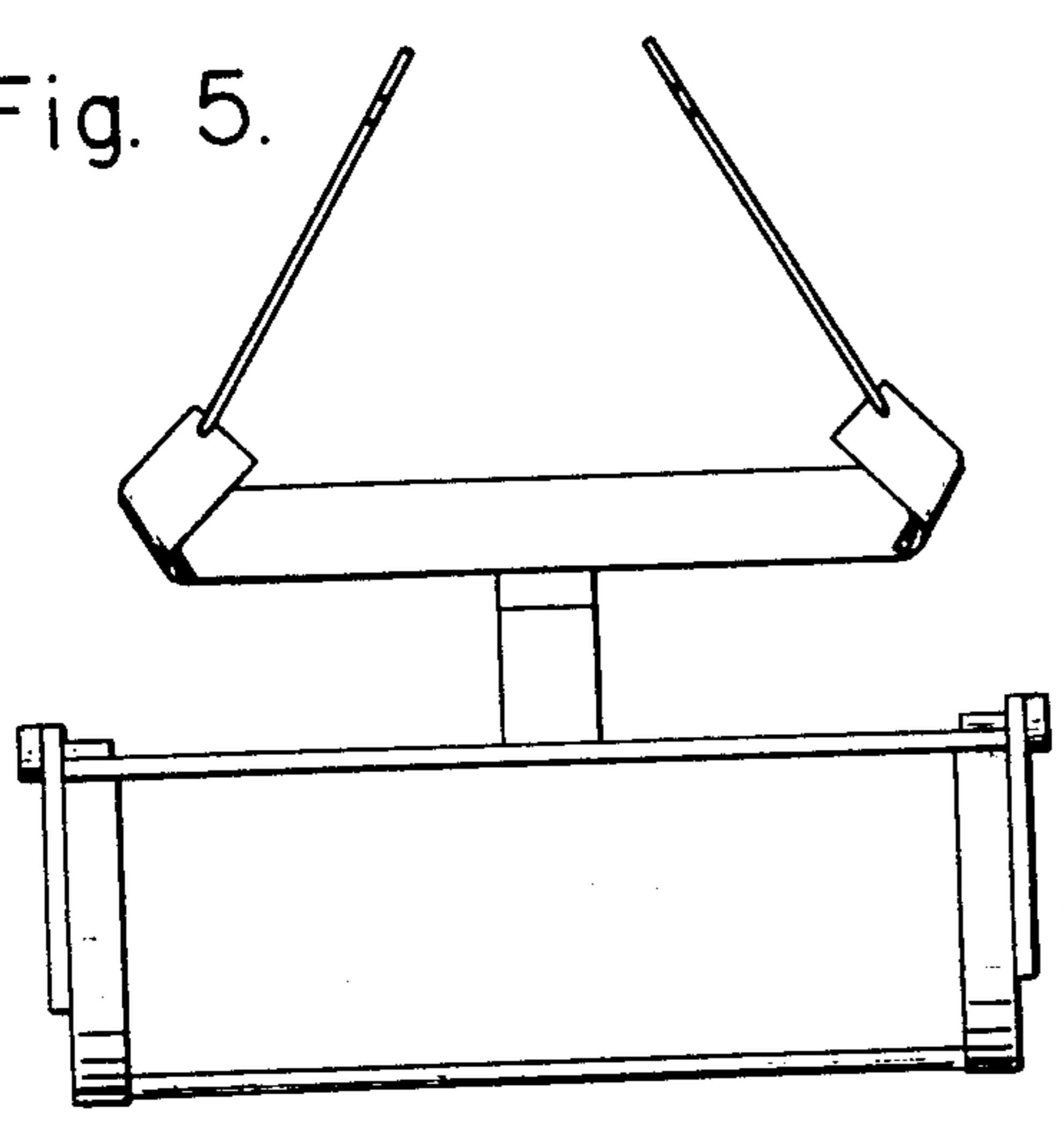


Fig. 6.

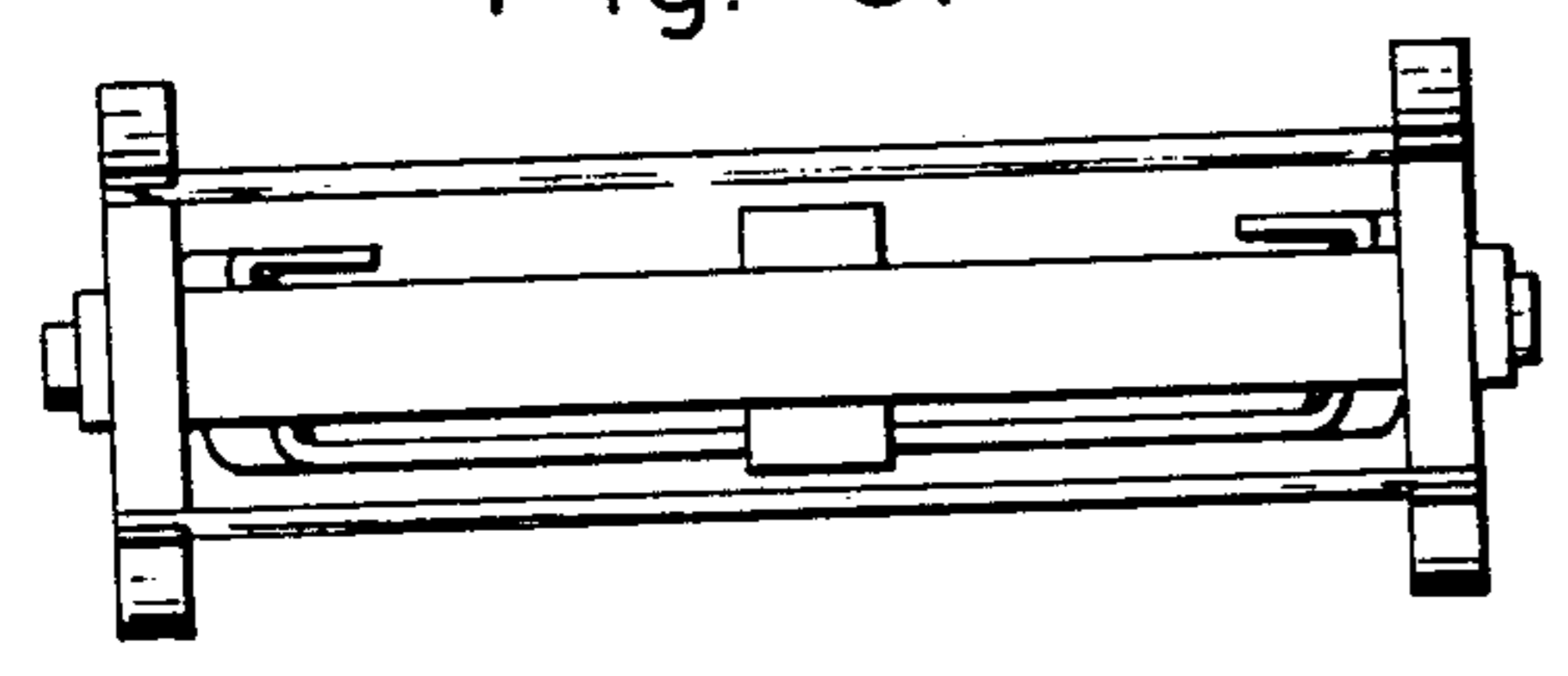


Fig. 4.