

[54] COMBINED LATHE TOOL AND HOLDER THEREFOR

[76] Inventor: Howard A. Treloar, 21 Barretts Rd., Lynton, South Australia, 5062, Australia

[**] Term: 14 Years

[21] Appl. No.: 933,118

[22] Filed: Aug. 9, 1978

[51] Int. Cl. D15-09

[52] U.S. Cl. D15/139; D15/130; D15/140

[58] Field of Search D15/130, 138, 140; 407/66, 102; 279/1 A, 1 B; 29/39-41, 57, 64

[56] References Cited

U.S. PATENT DOCUMENTS

D. 207,346	4/1967	Lutz	D15/140
978,226	12/1910	Shillitto	407/99
1,229,174	6/1917	Williams	407/102
2,388,522	11/1945	Boyd	407/102
2,487,209	11/1949	Anthony et al.	407/112
2,627,107	2/1953	Malco	407/66

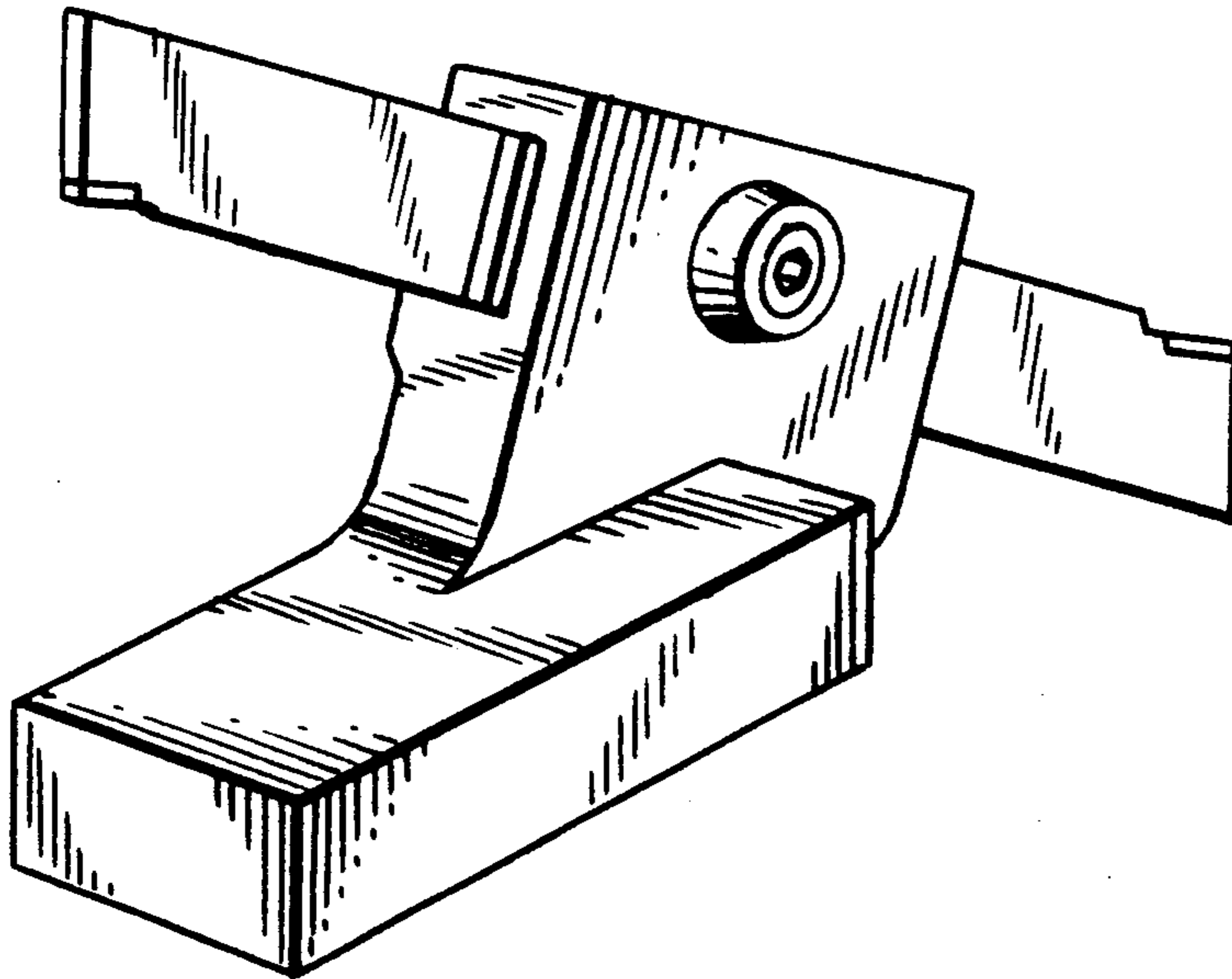
Primary Examiner—Wallace R. Burke
Assistant Examiner—B. J. Bullock
Attorney, Agent, or Firm—Eric H. Waters

[57] CLAIM

The ornamental design for a combined lathe tool and holder therefor, as shown.

DESCRIPTION

FIG. 1 is a rear perspective view of the combined lathe tool and holder therefor showing my new design;
FIG. 2 is a front perspective view;
FIG. 3 is an exploded front perspective view.



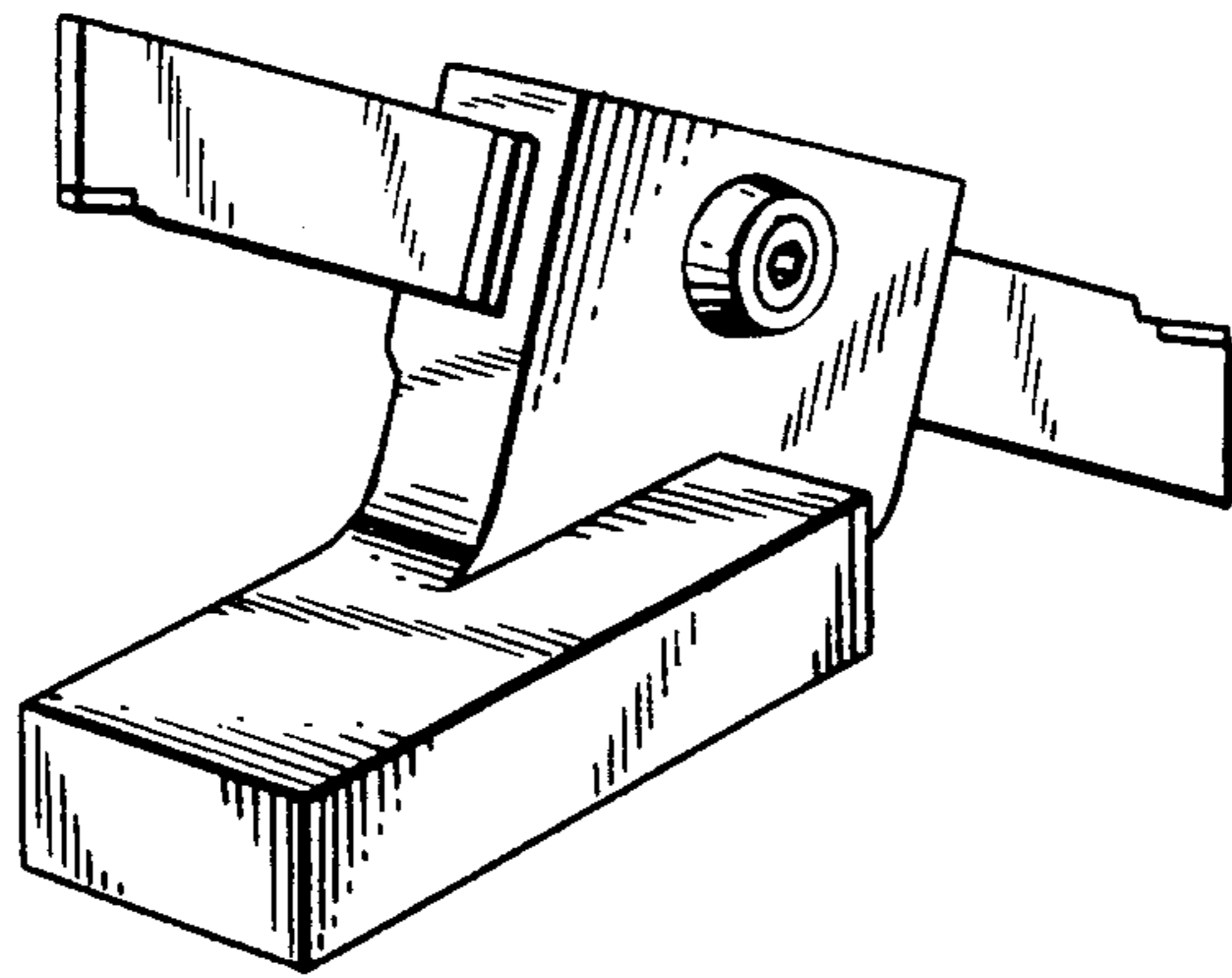


FIG. 1

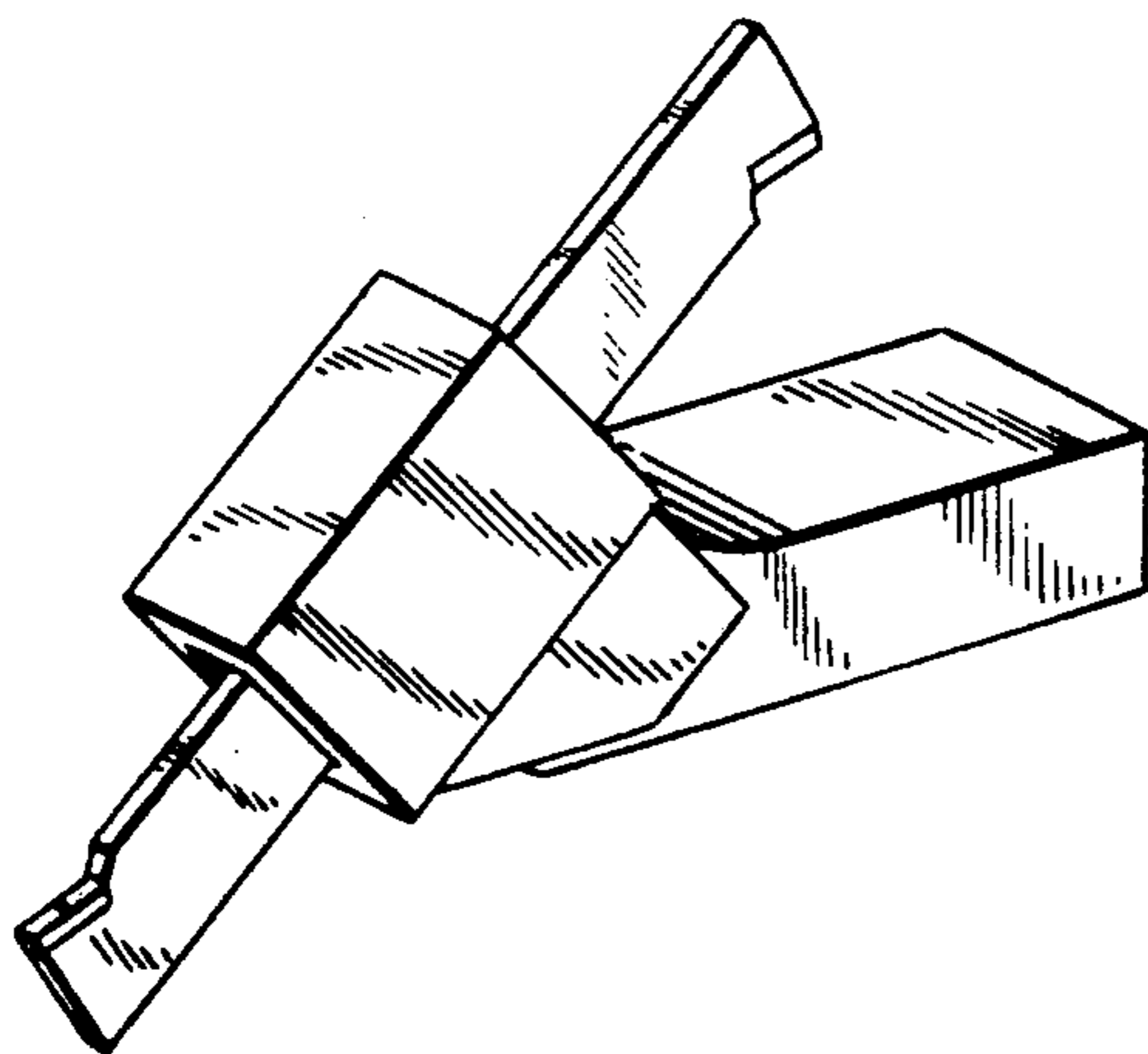


FIG. 2

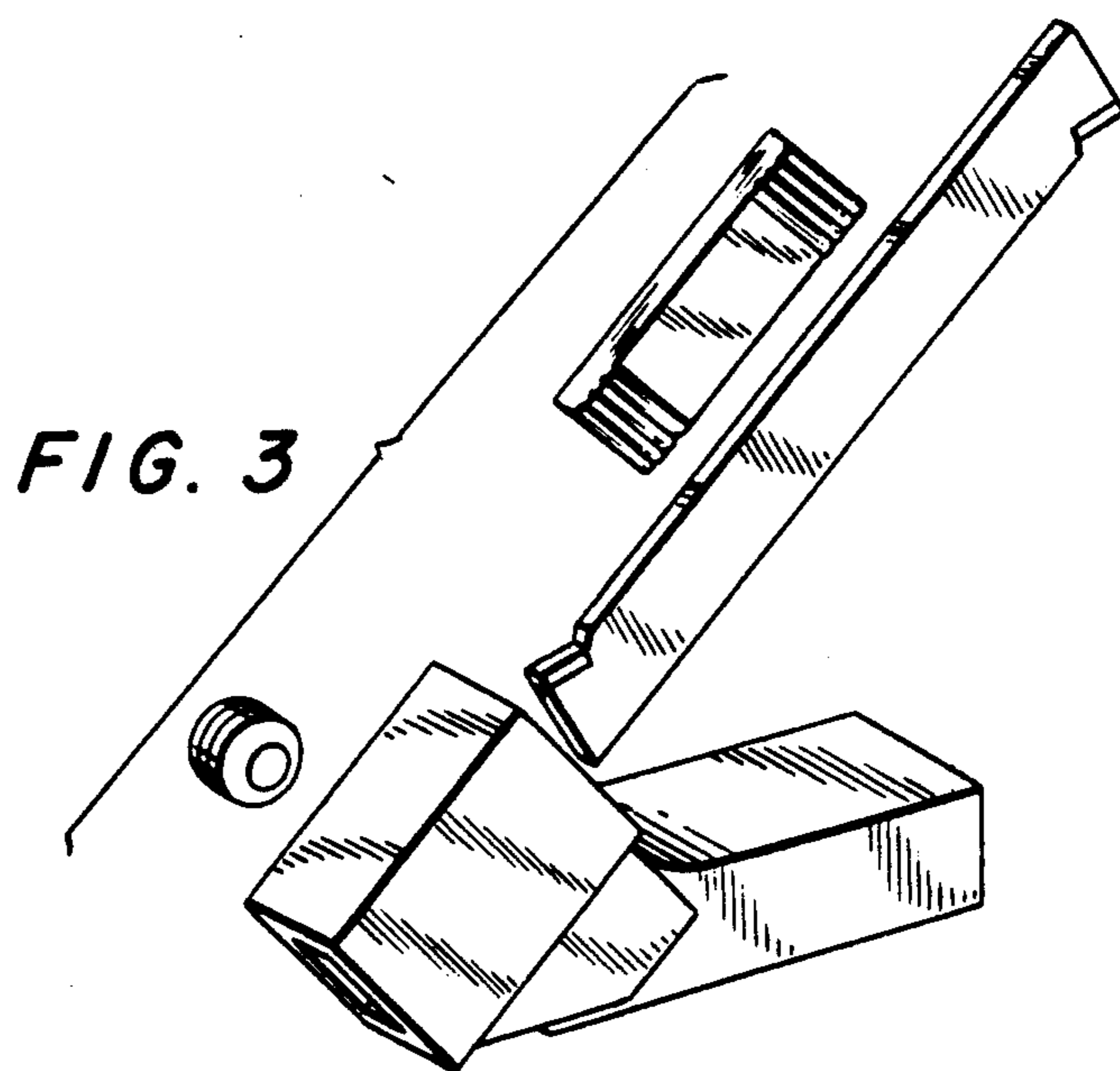


FIG. 3