

[54] WALL MOUNTED MUSIC-RESPONSIVE COLOR ORGAN

[75] Inventor: Remo Saraceni, Philadelphia, Pa.

[73] Assignee: Novitas, Inc., Los Angeles, Calif.

[**] Term: 14 Years

[21] Appl. No.: 837,759

[22] Filed: Sep. 29, 1977

[51] Int. Cl. D14-01

[52] U.S. Cl. D14/99; D14/33

[58] Field of Search D48/20 E, 20 D; 14/68, 14/72, 99, 34, 33; 84/464

[56] References Cited

U.S. PATENT DOCUMENTS

3,603,195	9/1971	Williams	84/464
3,885,797	5/1975	Booty et al.	84/464 X
4,000,679	1/1977	Norman	84/464
4,010,361	3/1977	Latterman	84/464 X

OTHER PUBLICATIONS

Radio Shack, 1976 Electronics Catalog, ©1976, p. 91, 2-in-1 Color Organ/Control Unit, item No. #28-138.

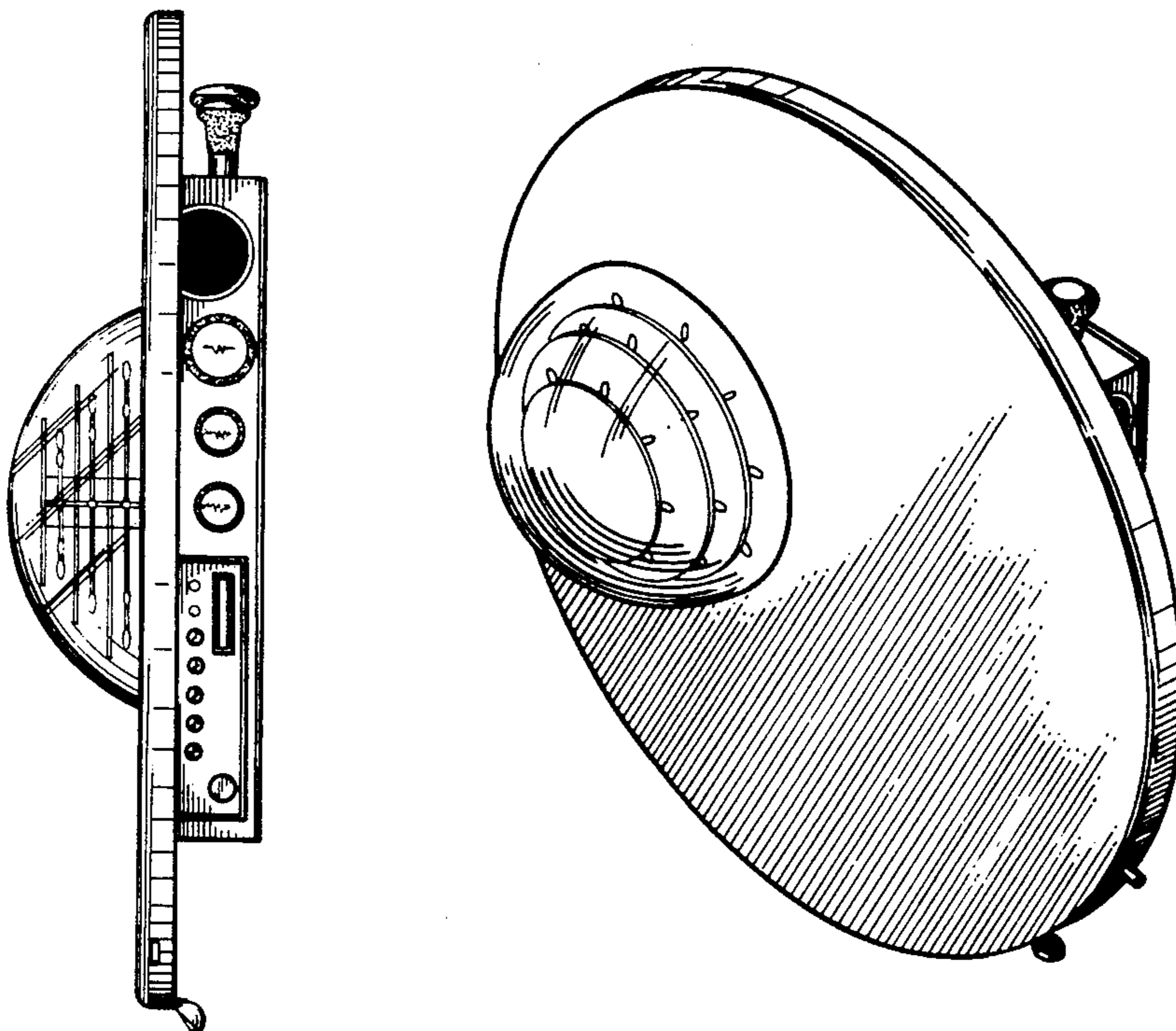
Primary Examiner—Bernard Ansher
Attorney, Agent, or Firm—Weiser, Stapler & Spivak

[57] CLAIM

I claim the ornamental design a wall mounted music responsive color organ, substantially as shown and described.

DESCRIPTION

FIG. 1 is a front elevation of a wall mounted music-responsive color organ, showing my new design; FIG. 2 is an end elevation view thereof; FIG. 3 is a top plan view thereof; FIG. 4 is a bottom plan view thereof; FIG. 5 is a rear elevation thereof; FIG. 6 is an end elevation as seen from the left of FIG. 1; and FIG. 7 is a top front perspective thereof.



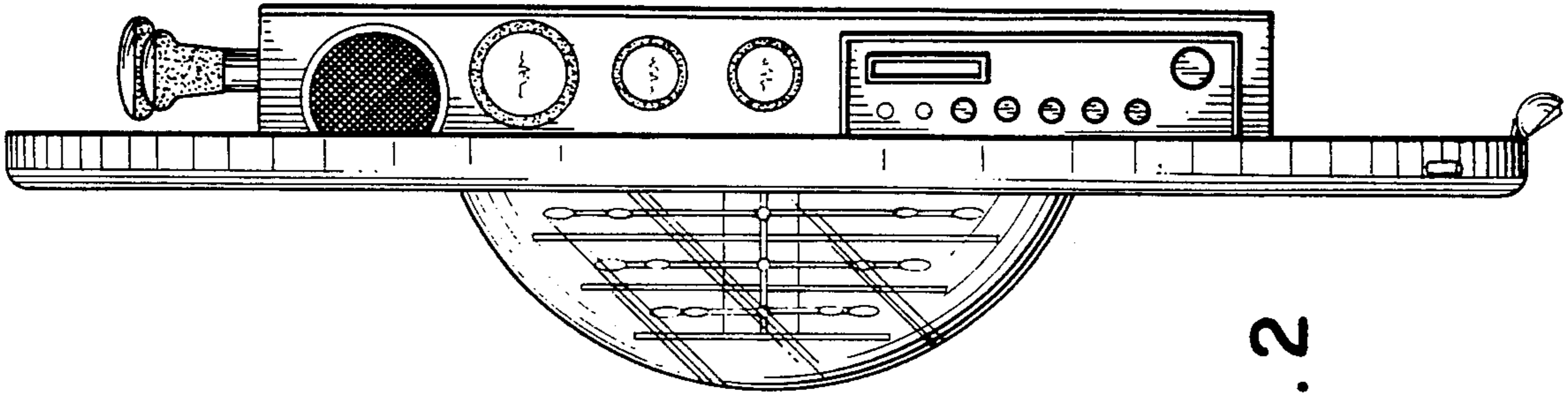


FIG. 2

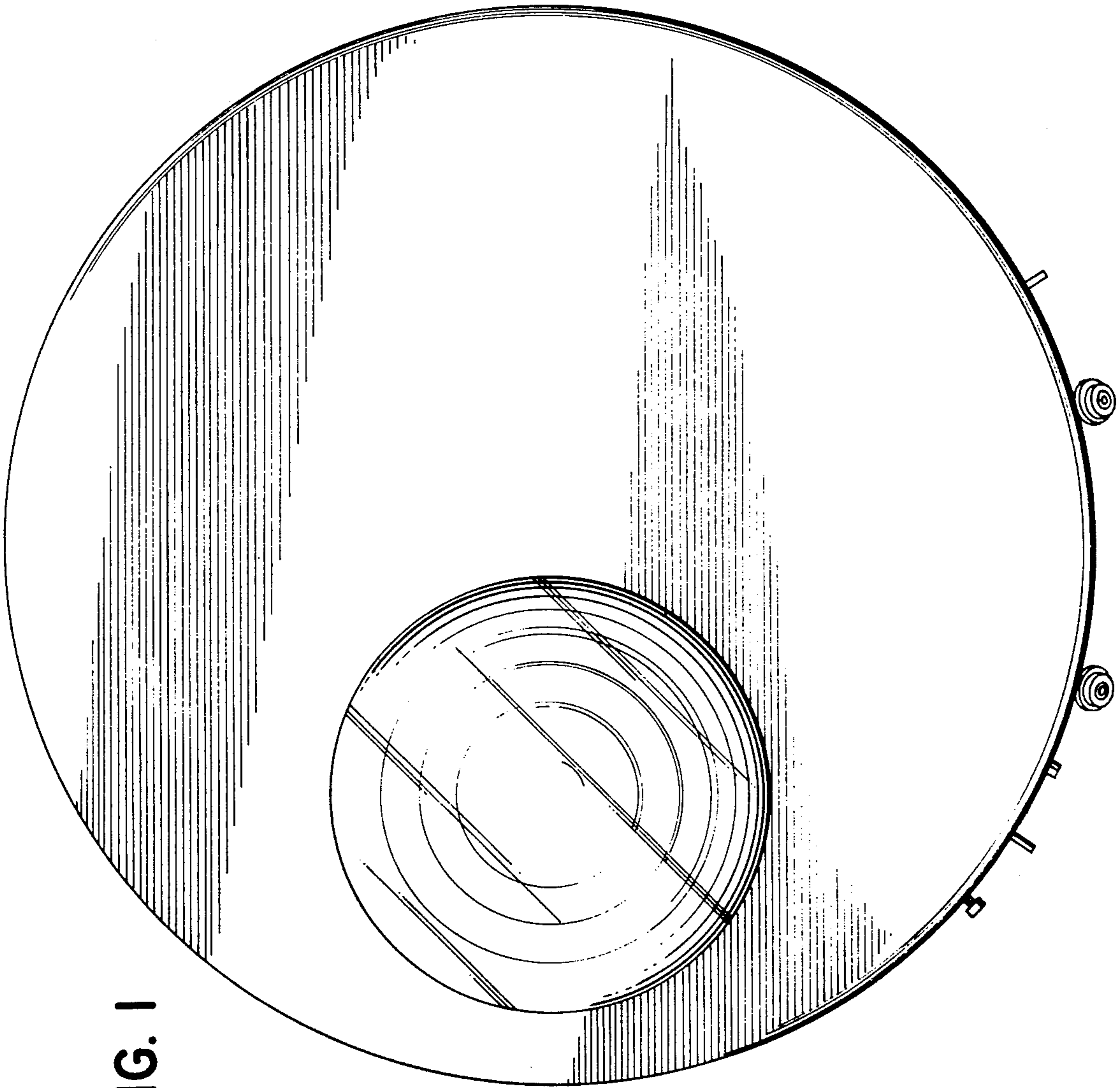


FIG. 1

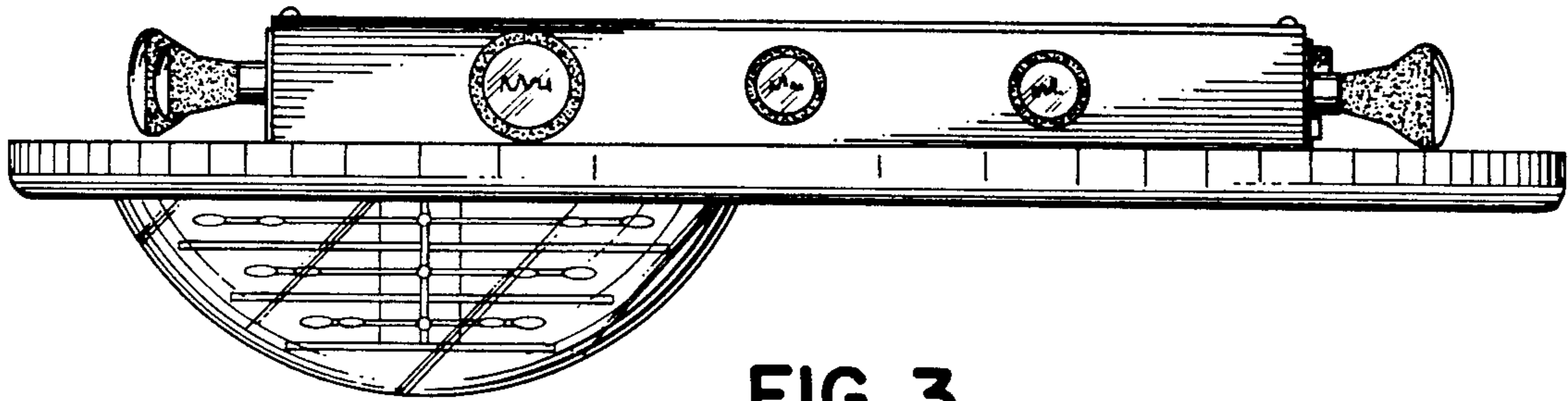


FIG. 3

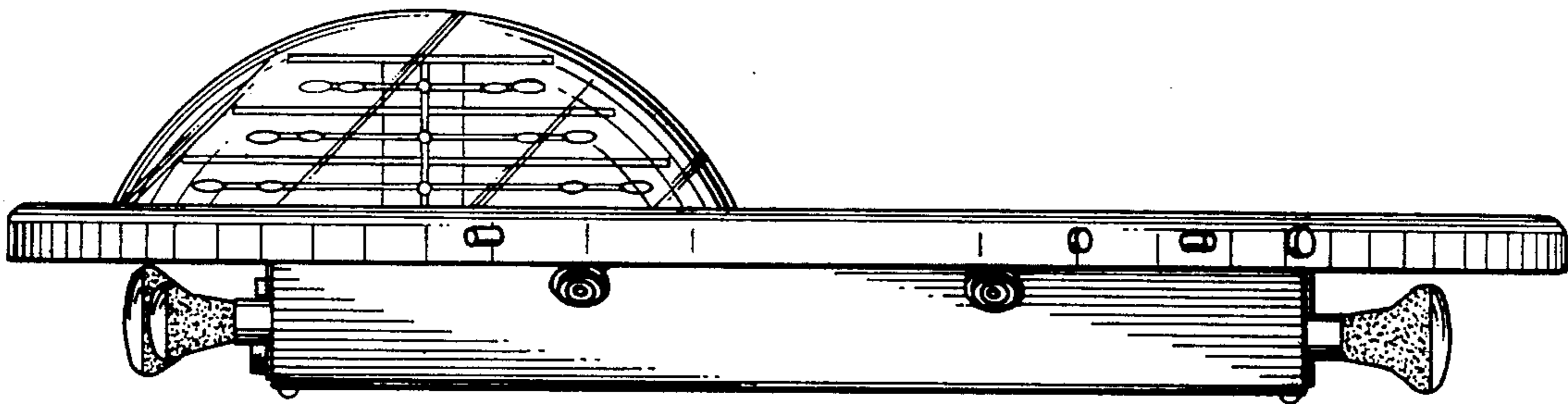


FIG. 4

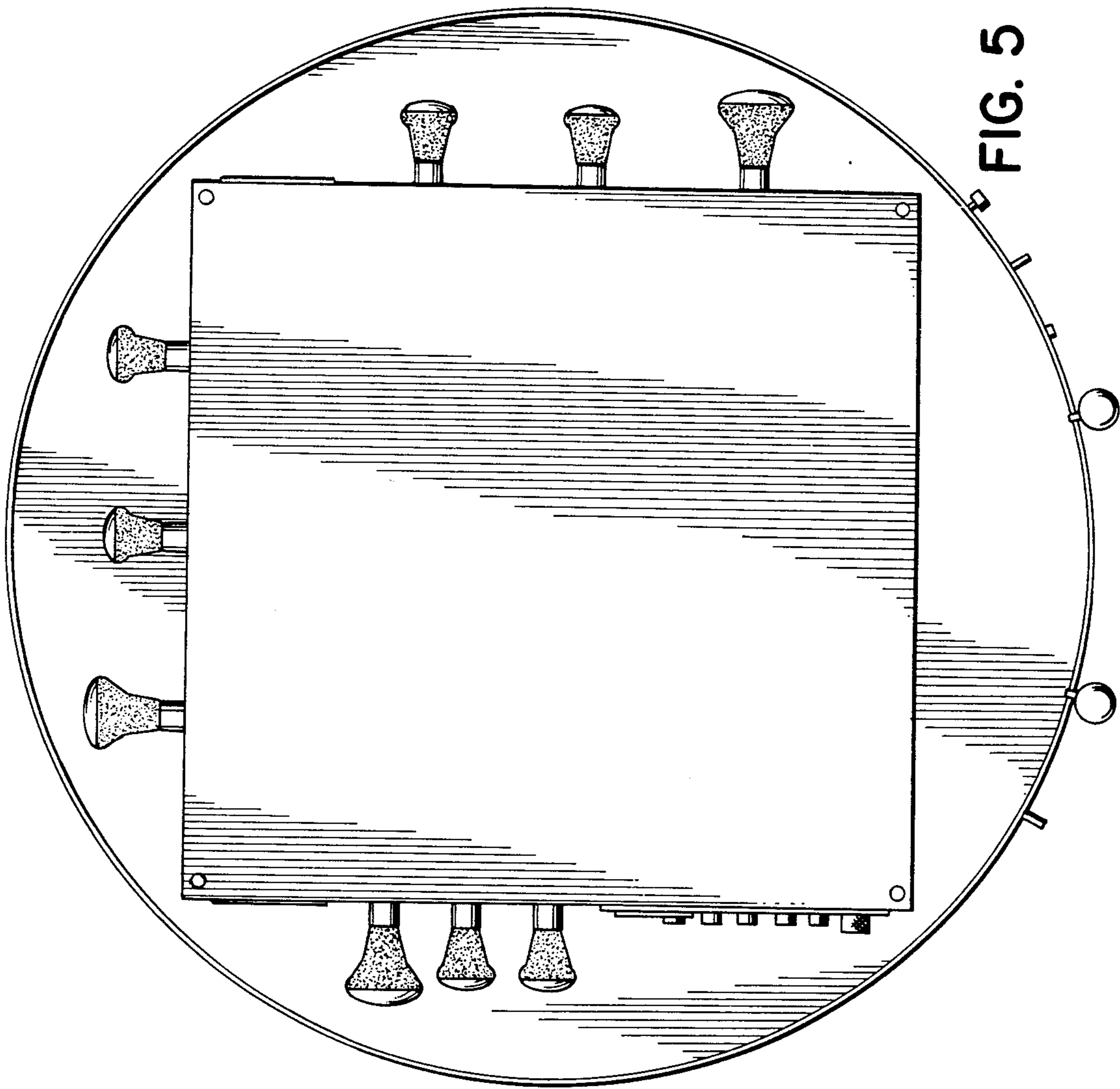


FIG. 5

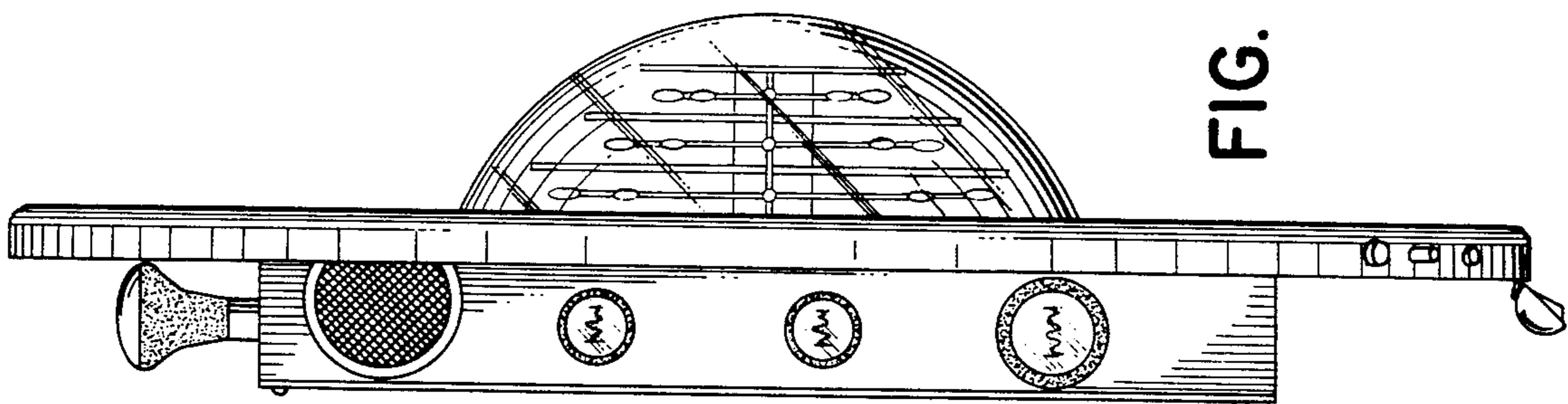


FIG. 6

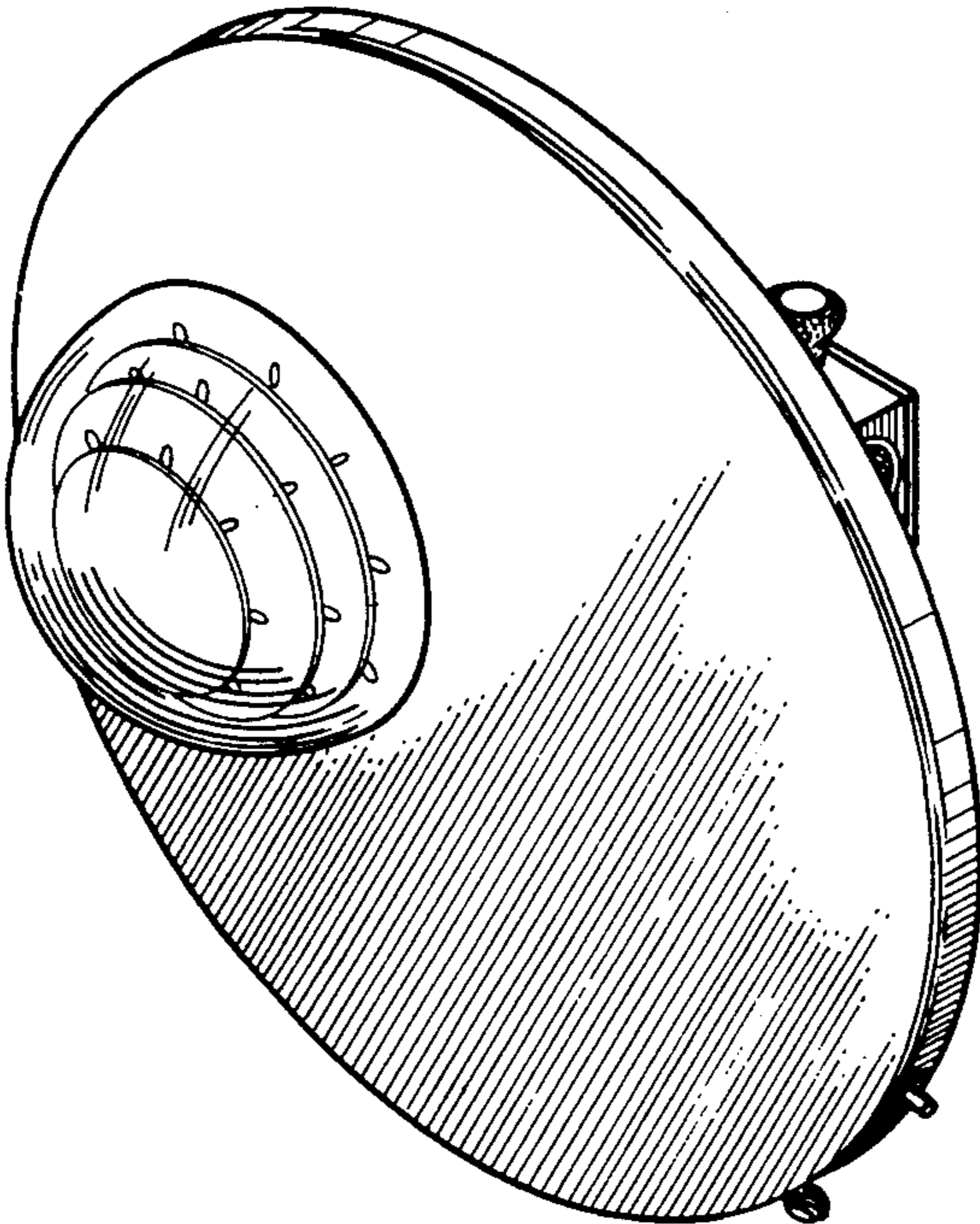


FIG. 7