

[54] **TRACTION GRILLE FOR VEHICLE**

[76] **Inventor:** **Guy LaPointe**, 1857 Cambray,
St-Bruno, Quebec, Canada, J3G 3J4

[**] **Term:** **14 Years**

[21] **Appl. No.:** **901,992**

[22] **Filed:** **May 1, 1978**

[51] **Int. Cl.** **D12-16**

[52] **U.S. Cl.** **D12/154**

[58] **Field of Search** **D12/154, 153, 155, 217;**
152/225 R, 227; 238/14

[56] **References Cited**

U.S. PATENT DOCUMENTS

2,619,289 11/1952 Plante 238/14
3,878,988 4/1975 Blais 238/14

FOREIGN PATENT DOCUMENTS

1018203 9/1977 Canada 238/14

Primary Examiner—James M. Gandy
Attorney, Agent, or Firm—Raymond A. Robic

[57] **CLAIM**

The ornamental design for a traction grille for vehicle,
substantially as shown and described.

DESCRIPTION

FIG. 1 is a top perspective view of a traction grille for
vehicle showing my new design;
FIG. 2 is a bottom perspective view thereof;
FIG. 3 is a top plan view thereof;
FIG. 4 is a side elevational view thereof, the other side
being substantially identical thereto; and
FIG. 5 is a front elevational view thereof, the rear being
substantially identical thereto.

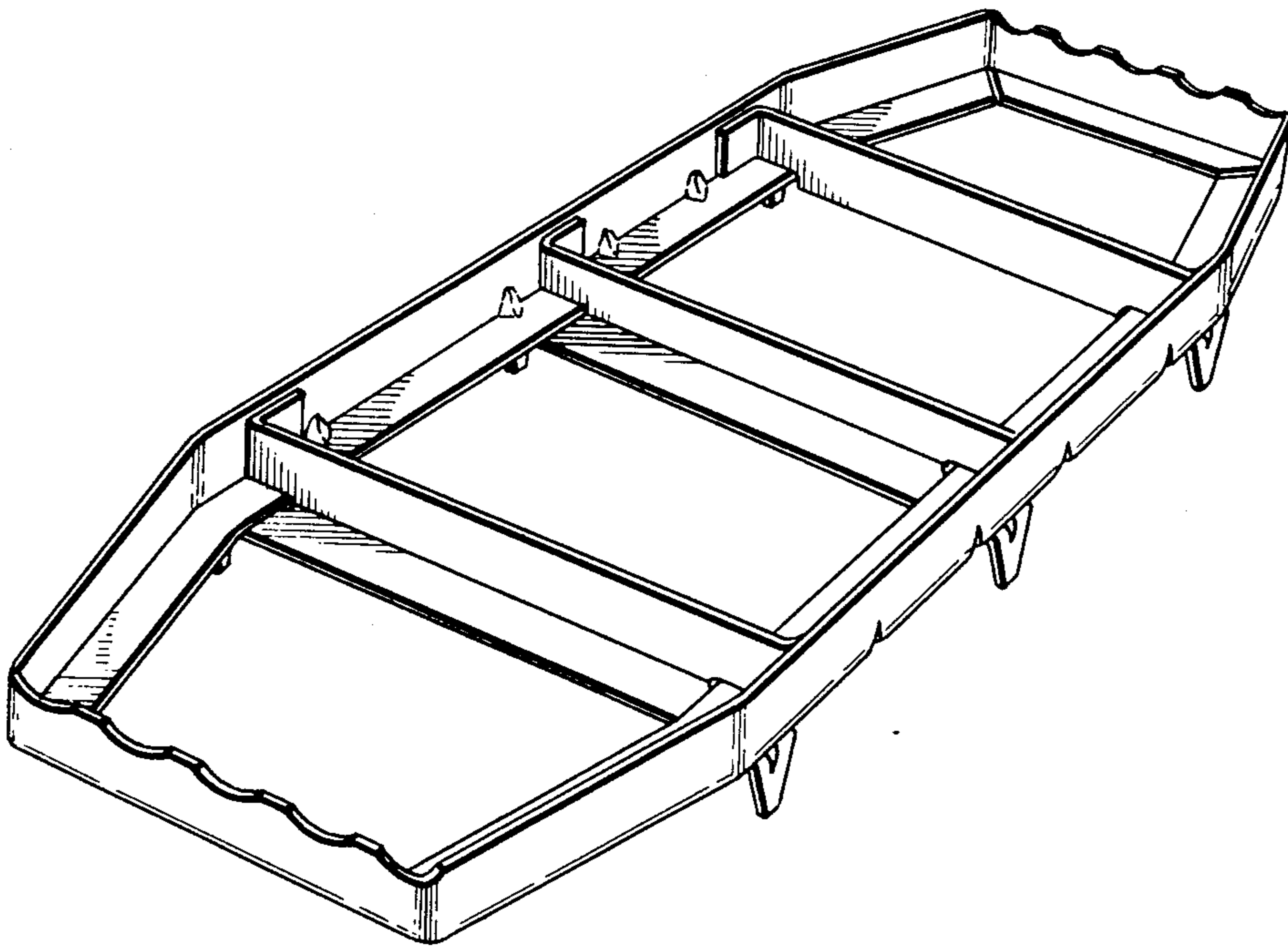


Fig. 1

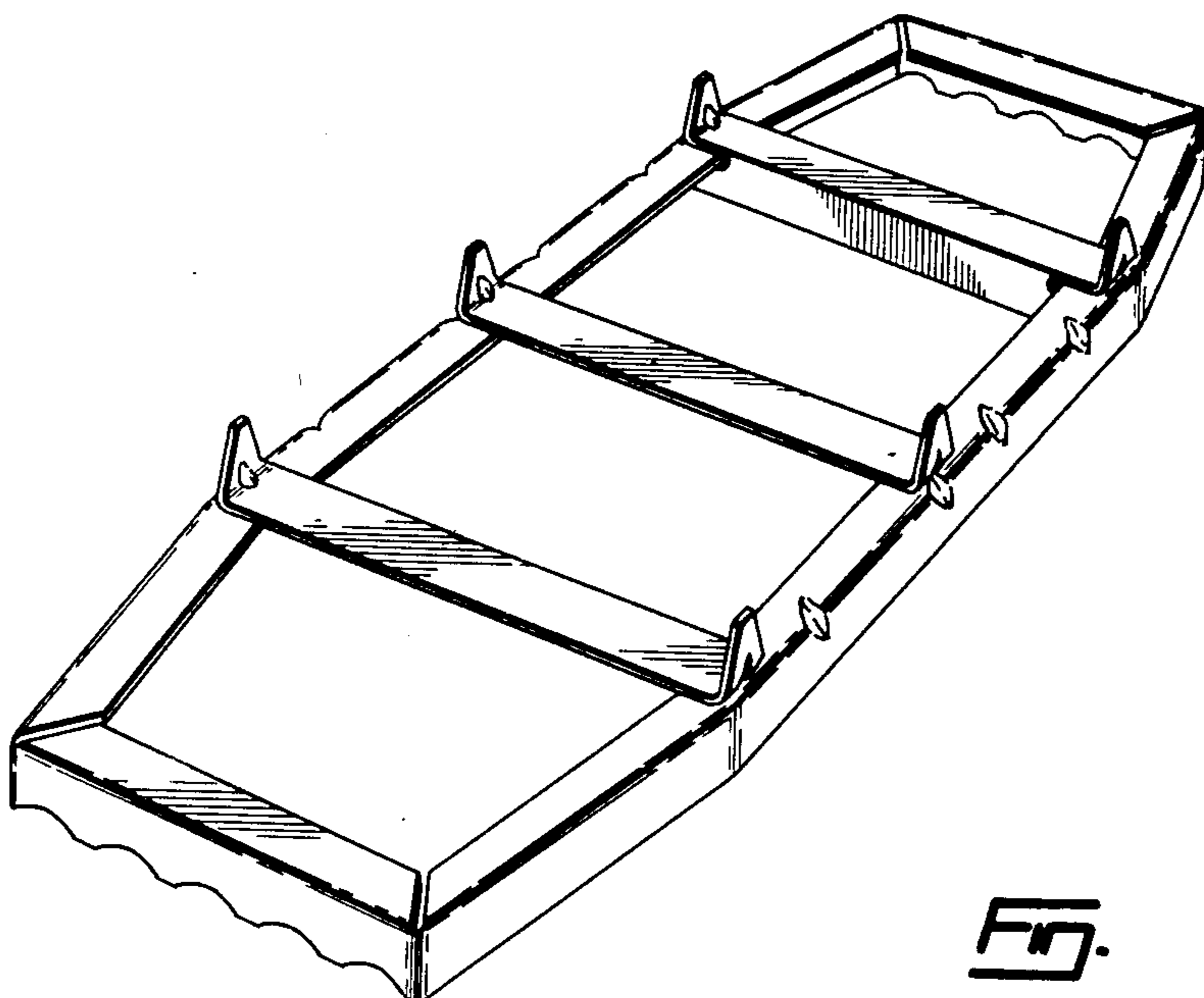
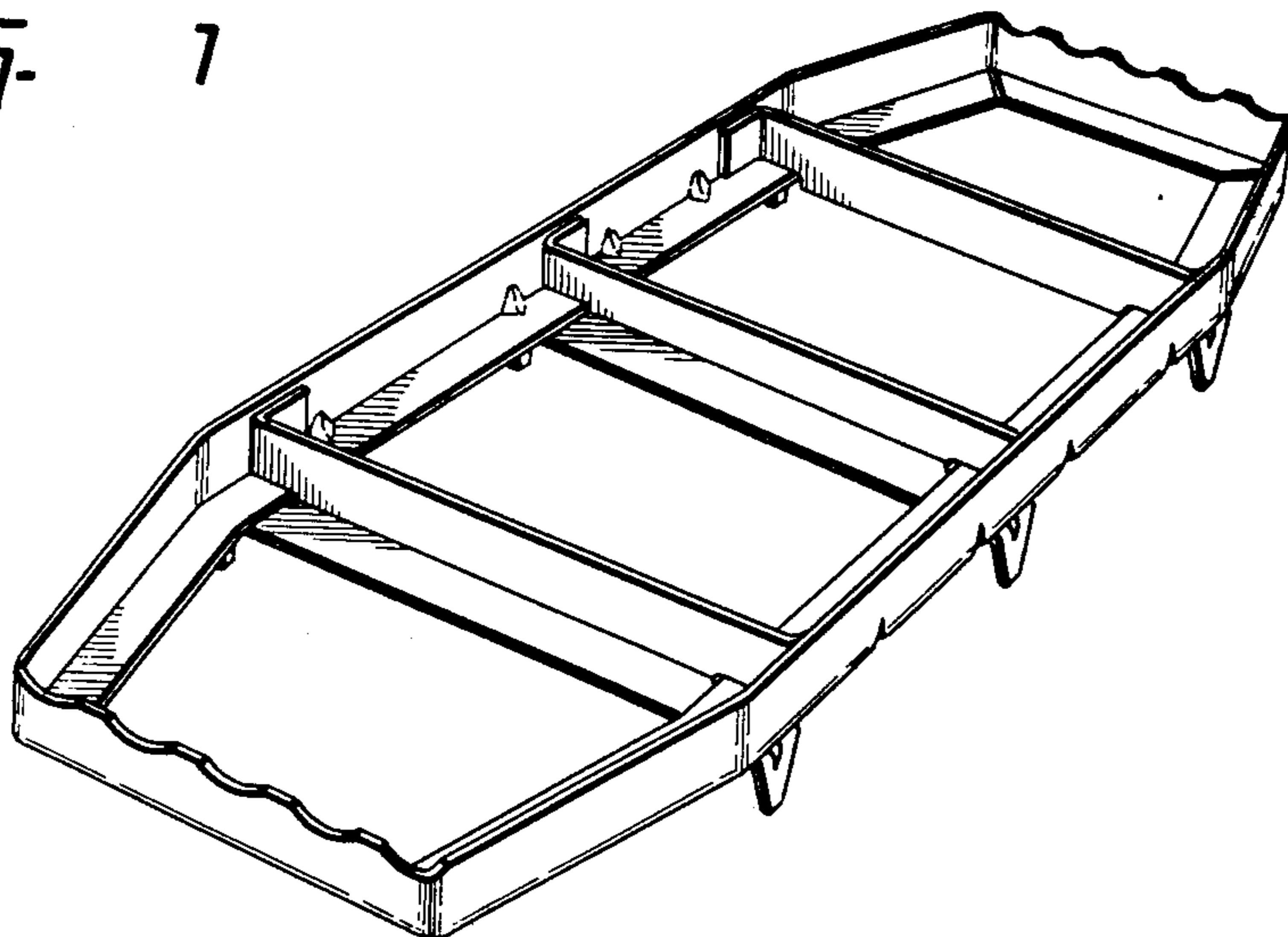


Fig. 2

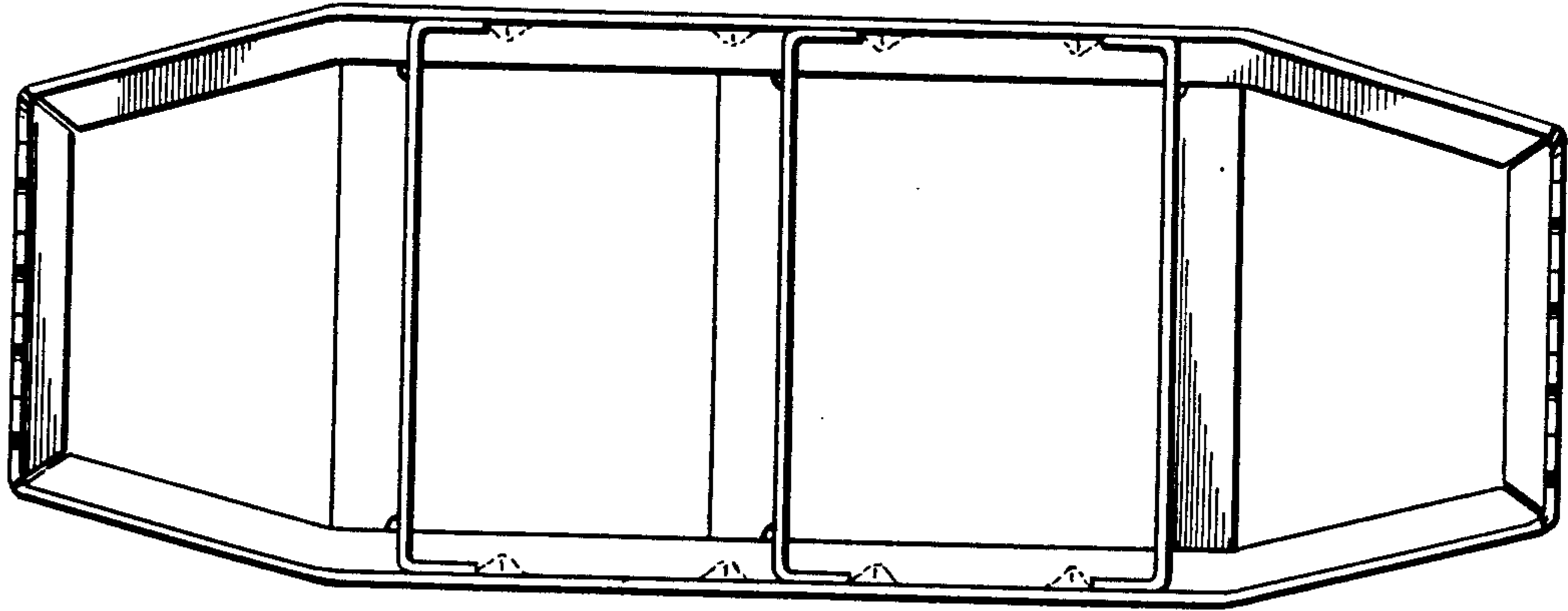


Fig. 3

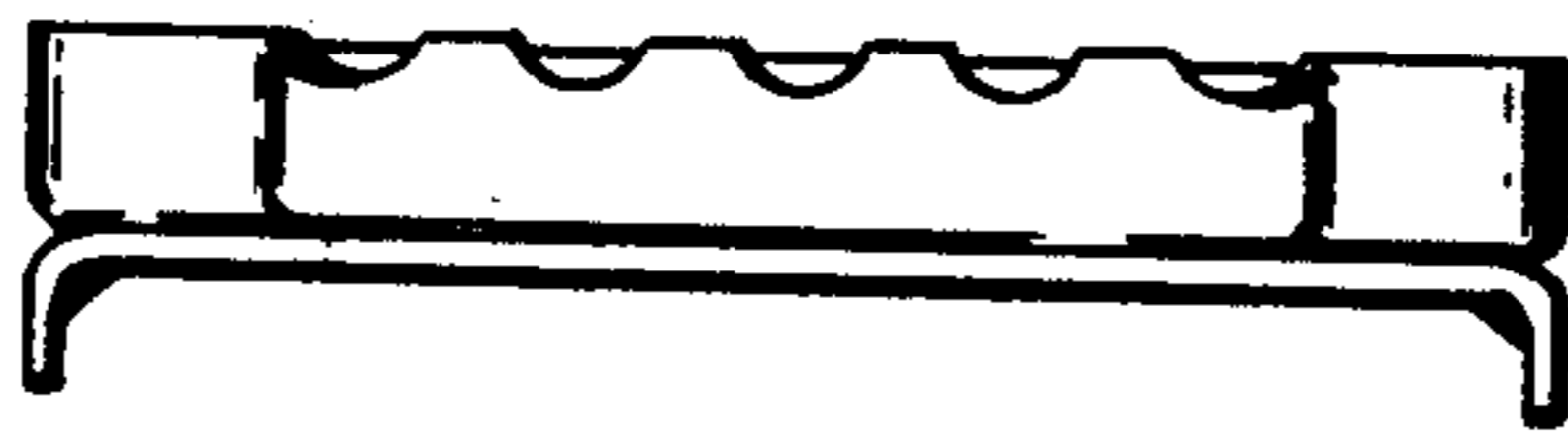


Fig. 4

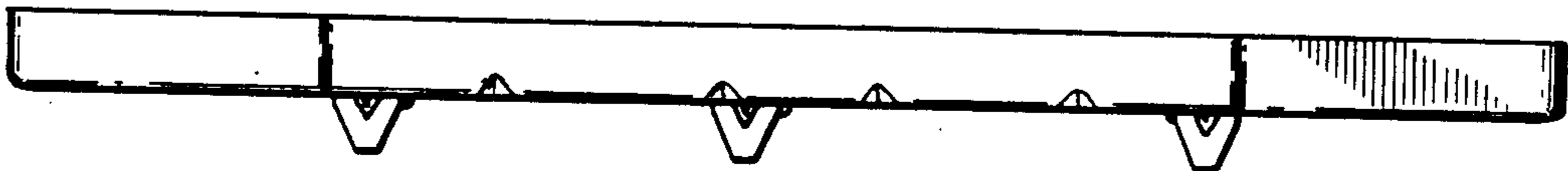


Fig. 5