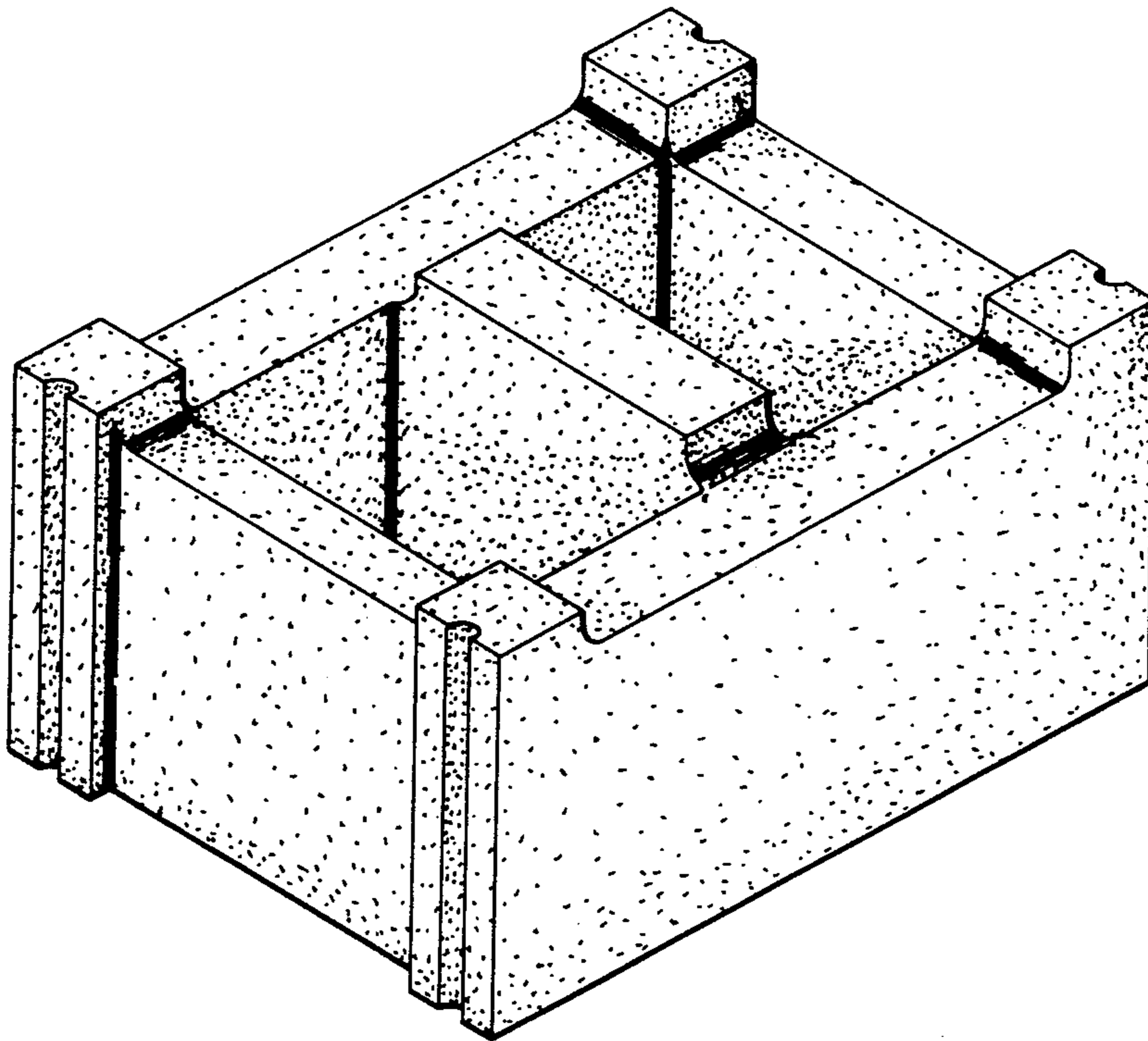


- [54] PLANT PROPAGATING BLOCK
- [75] Inventor: Coatus L. Morehead, Jr., Athens, Ga.
- [73] Assignee: Flowers, Inc., Athens, Ga.
- [**] Term: 14 Years
- [21] Appl. No.: 869,025
- [22] Filed: Jan. 12, 1978
- [51] Int. Cl. D11-02; D25-01
- [52] U.S. Cl. D11/155; D11/143;
D25/80; D25/91
- [58] Field of Search D11/143-149,
D11/151-156, 164; D25/80, 86, 91; 52/439,
596, 603-607, 284, 286; 404/19, 34; 47/1 R, 14,
16, 41 R, 41 SS, 33, 55, 59, 61, 66-69, 71, 72, 79,
81, 83, 85-87

[56] References Cited
FOREIGN PATENT DOCUMENTS
959320 2/1957 Fed. Rep. of Germany 52/284
Primary Examiner—Wallace R. Burke
Assistant Examiner—B. J. Bullock
Attorney, Agent, or Firm—Walter M. Rodgers

[57] CLAIM
The ornamental design for a plant propagating block, as shown.

DESCRIPTION
FIG. 1 is an enlarged isometric view of a plant propagating block showing my new design;
FIG. 2 is an end view;
FIG. 3 is a front view, the rear view being identical;
FIG. 4 is a top view; and
FIG. 5 is a bottom view.



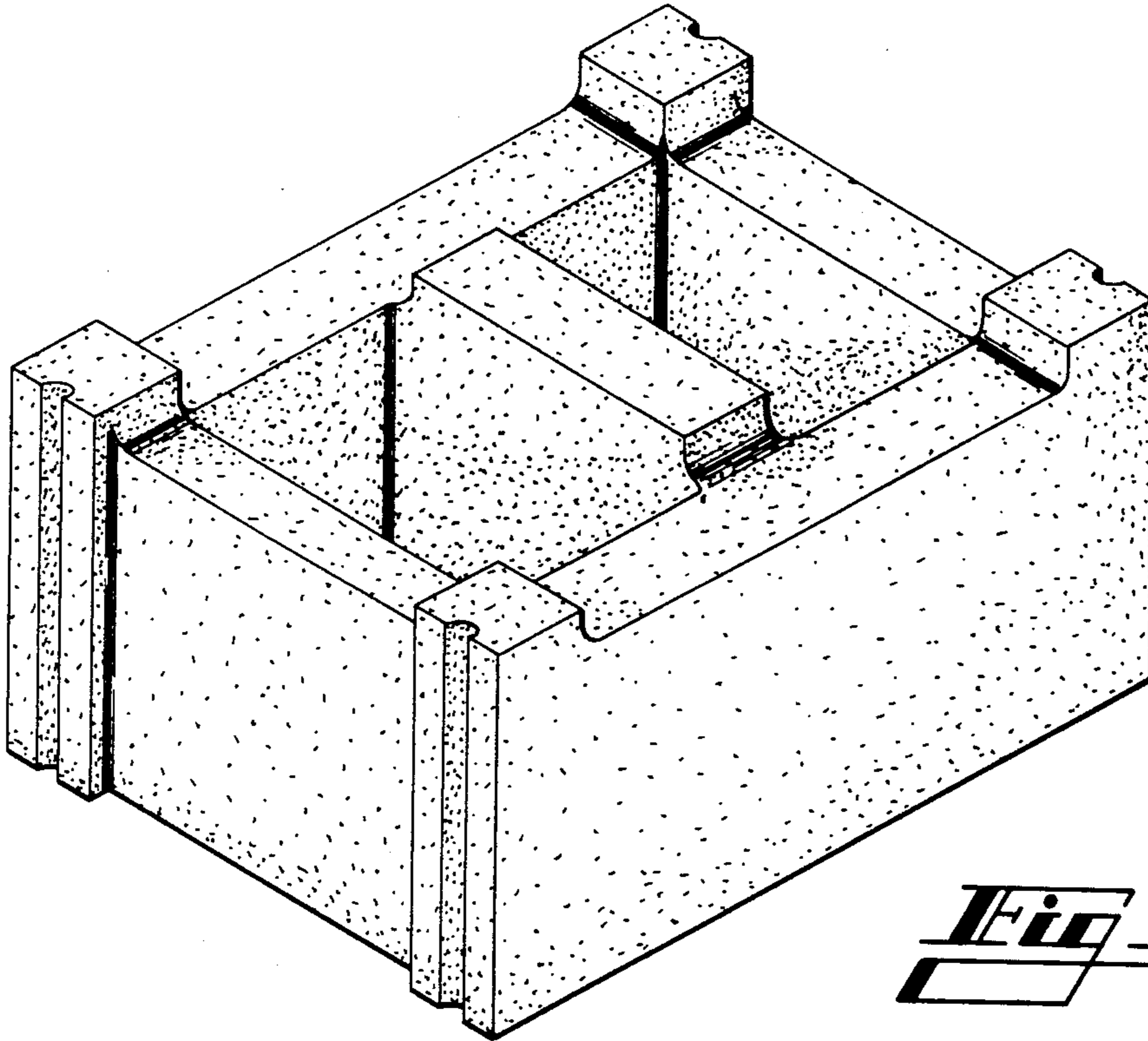


Fig. 1

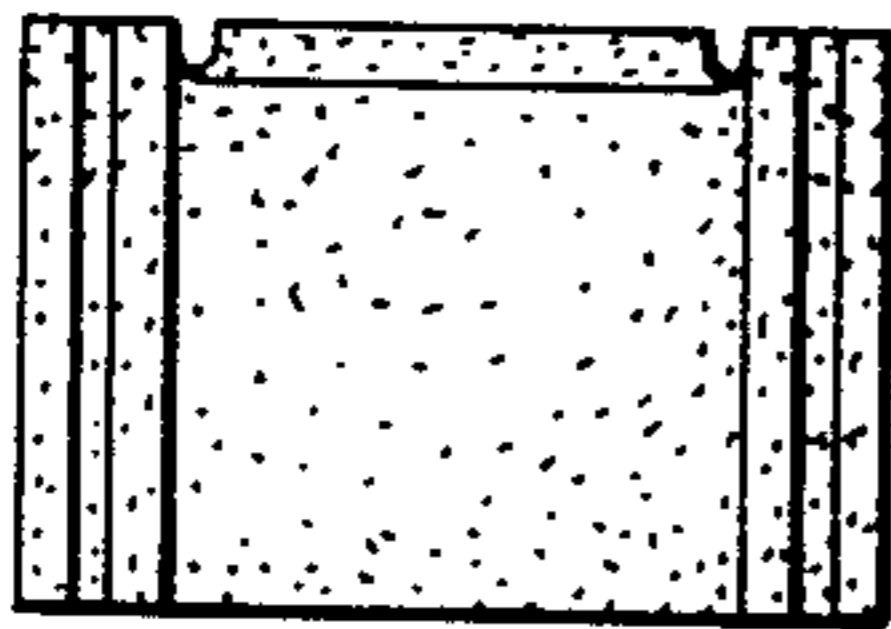


Fig. 2

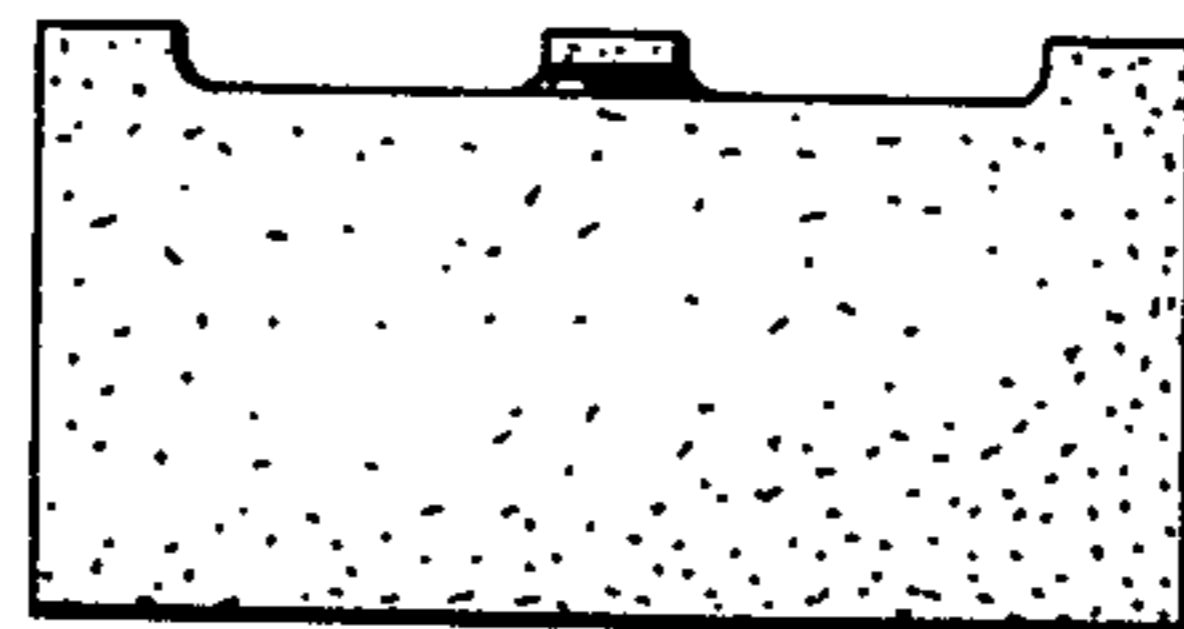


Fig. 3

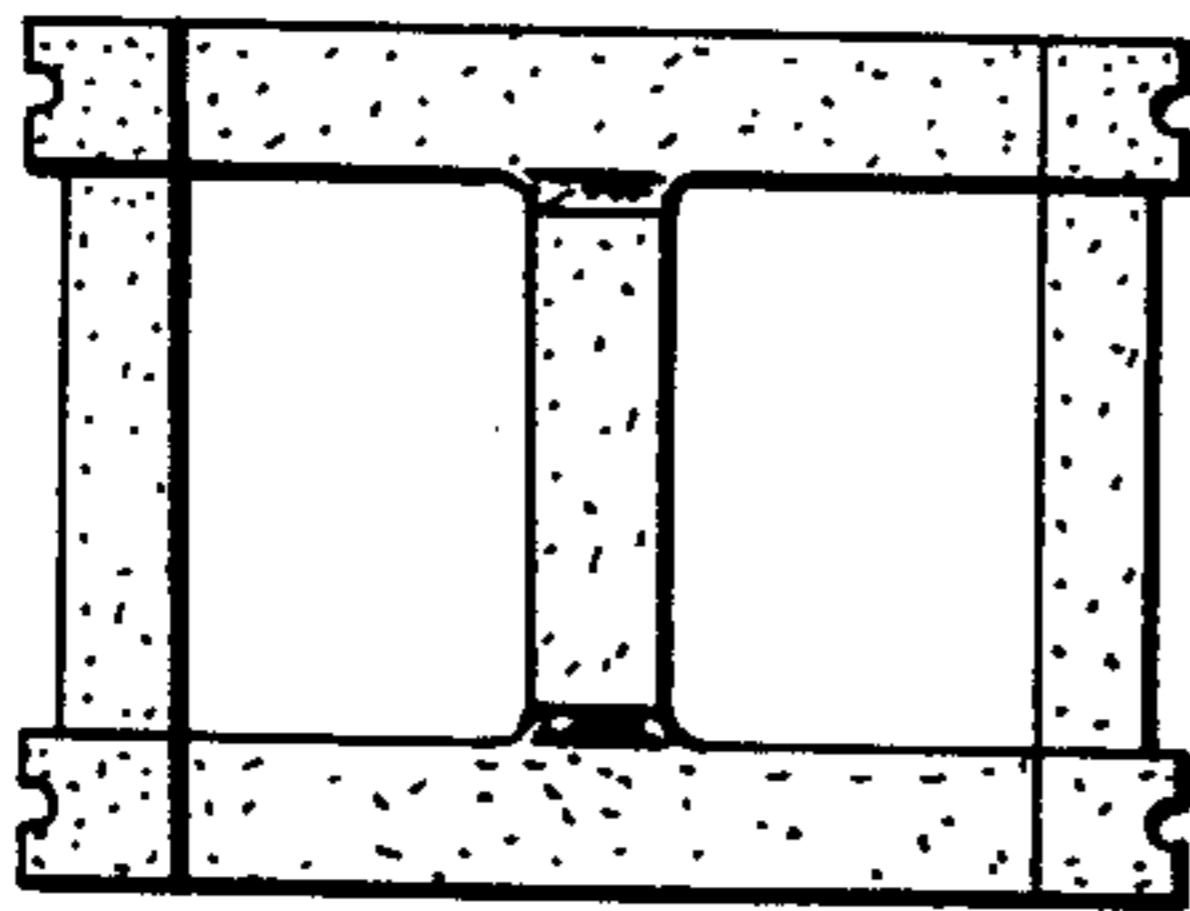


Fig. 4

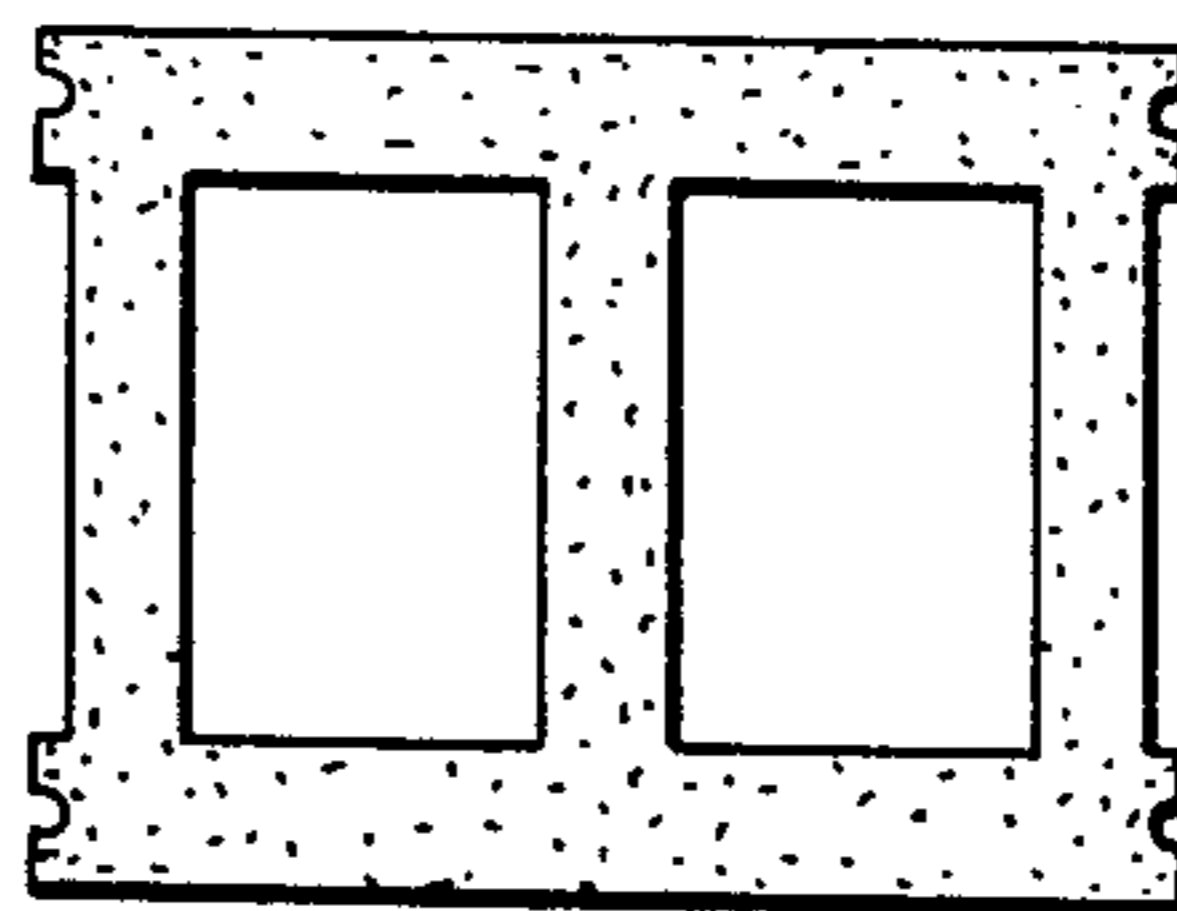


Fig. 5