

[54] FLIP TOP DISPENSER BOX BLANK

[75] Inventor: Harry I. Roccaforte, Western Springs, Ill.

[73] Assignee: Champion International Corporation, Stamford, Conn.

[**] Term: 14 Years

[21] Appl. No.: 850,223

[22] Filed: Nov. 10, 1977

[51] Int. Cl. D9-03

[52] U.S. Cl. D9/245

[58] Field of Search D9/245; 229/6 R, 11, 229/16 R, 17 R, 23 AB, 27, 28, 30-36, 41 B, 41 C

[56]

References Cited

U.S. PATENT DOCUMENTS

D. 34,276	3/1901	Czarnjecki	D9/245
D. 79,537	10/1929	Thompson	D9/245
D. 87,510	8/1932	Collingbourne	D9/245
D. 243,663	3/1977	Booth	D9/245
4,111,306	9/1978	Roccaforte	229/34 R X

Primary Examiner—Robert C. Spangler
Attorney, Agent, or Firm—Evelyn M. Sommer

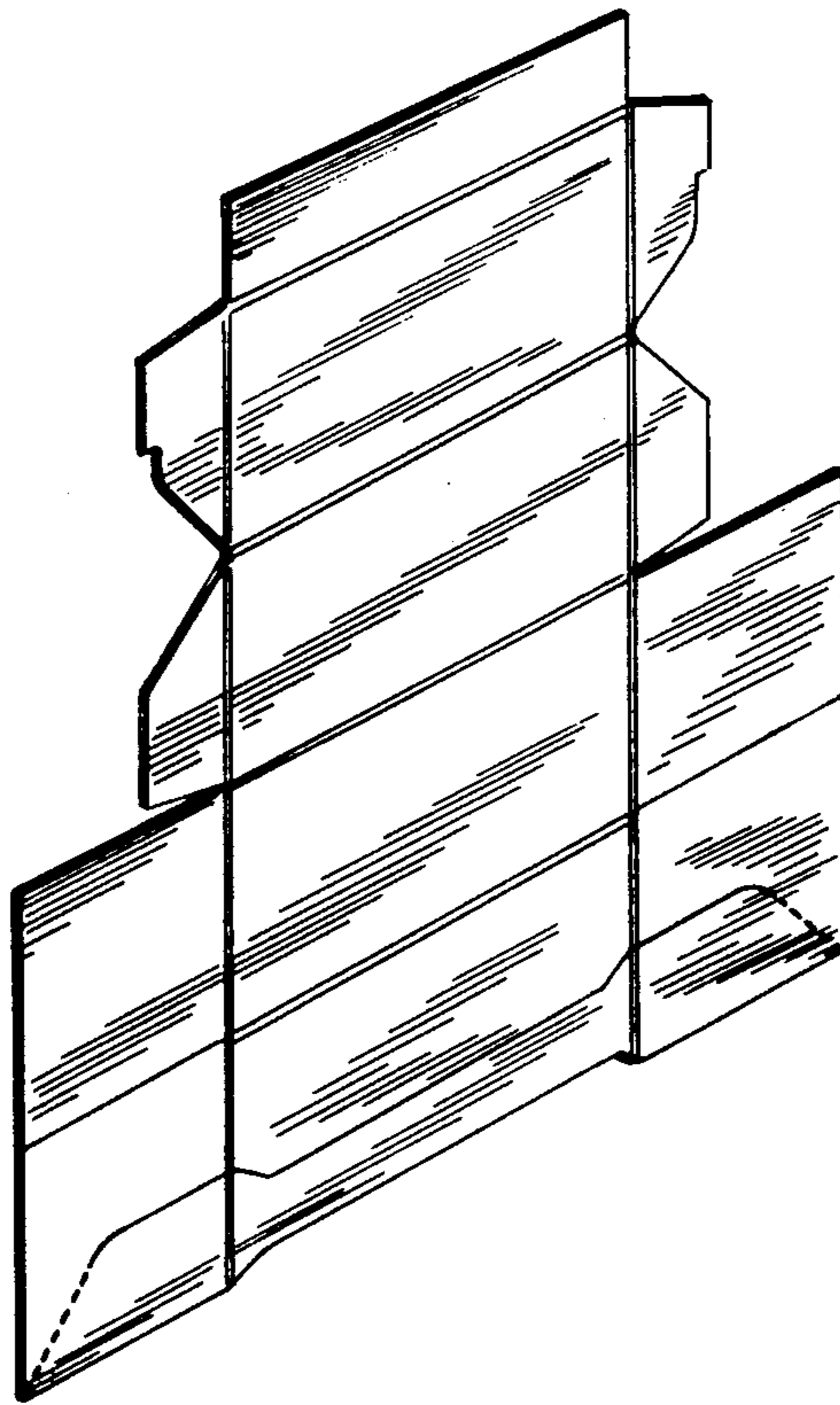
[57]

CLAIM

The ornamental design for a flip top dispenser box blank, as shown and described.

DESCRIPTION

The sole FIGURE is a front perspective view of a flip top dispenser box blank showing my new design; the rear being a mirror image thereof. The broken lines represent score and fold lines.



U.S. Patent

Jul. 8, 1980

Des. 255,781

