

[54] DISPENSING BOX FOR SHEET MATERIAL

[75] Inventor: Richard T. Clatterbuck, North Canton, Ohio

[73] Assignee: The Goodyear Tire & Rubber Company

[\*\*] Term: 14 Years

[21] Appl. No.: 826,500

[22] Filed: Aug. 22, 1977

[51] Int. Cl. .... D9-03

[52] U.S. Cl. .... D9/224

[58] Field of Search ..... 229/51 CE, 17 S, 40, 229/17 R, 7 R; D9/193, 224, 235, 240; 225/25, 26, 47, 48, 53, 80, 90, 85

[56] References Cited

U.S. PATENT DOCUMENTS

- 2,463,375 3/1949 Gluck ..... 225/48 X
- 2,936,937 5/1960 Guyer ..... 229/17 S X

- 3,108,726 10/1963 Hawk ..... 225/48 X
- 3,186,613 6/1965 Waltz ..... 225/80
- 3,477,624 11/1969 Branyon et al. .... 229/17 S X
- 3,521,800 7/1970 Stephens et al. .... 225/80 X
- 3,679,110 7/1972 Stine ..... 225/90 X
- 3,900,158 8/1975 Berkhouse ..... 229/17 S

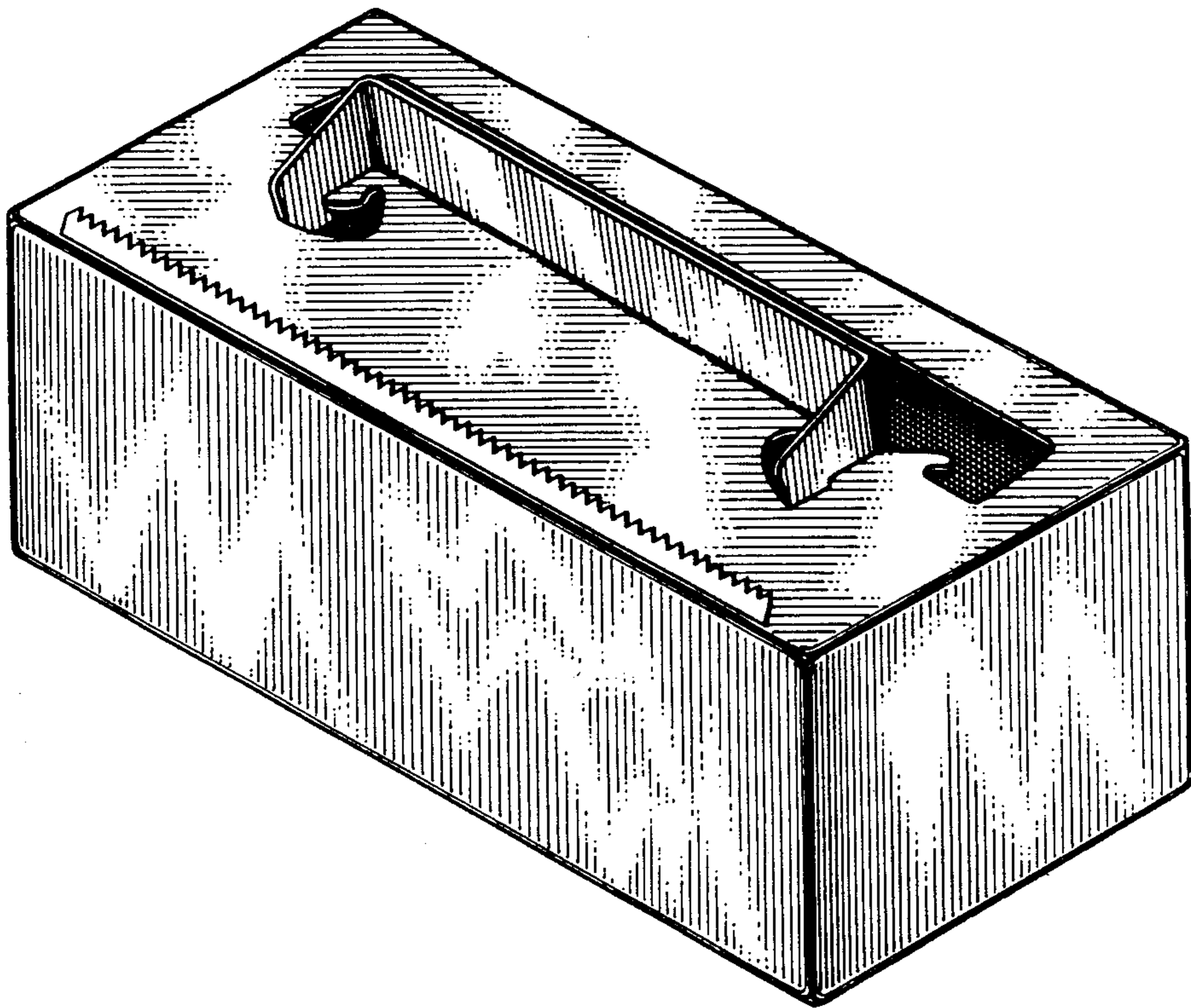
Primary Examiner—Robert C. Spangler  
Attorney, Agent, or Firm—Lee A. Germain

[57] CLAIM

The ornamental design for a dispensing box for sheet material, as shown and described.

DESCRIPTION

FIG. 1 is a top perspective view of a dispensing box for sheet material showing my new design; FIG. 2 is a top plan view thereof on a reduced scale; FIG. 3 is a front elevational view thereof; and FIG. 4 is an end elevational view thereof. The rear wall is the same in appearance as the front wall and the end not seen is the same in appearance as the end shown. The bottom is plain and unornamented.



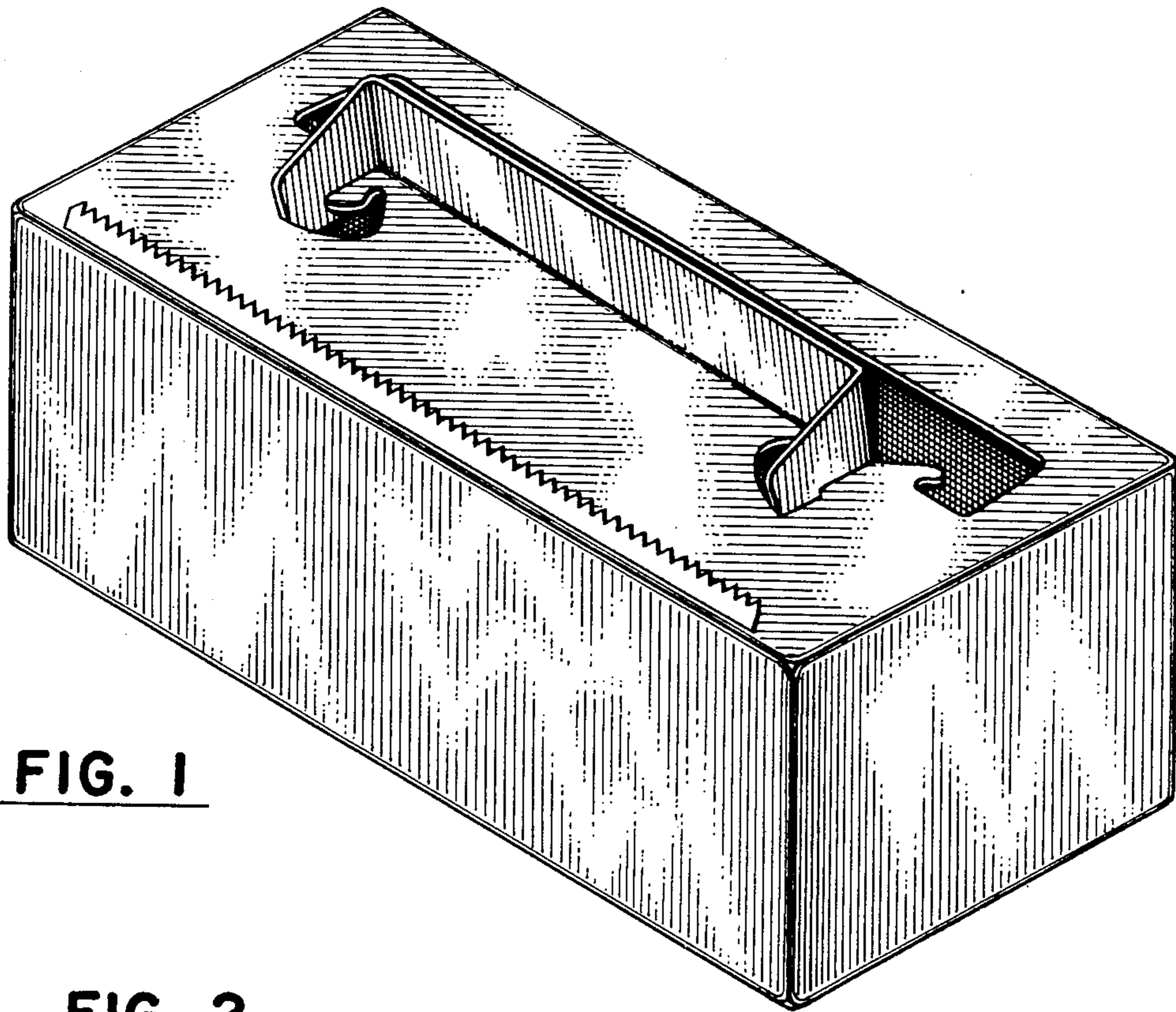


FIG. 1

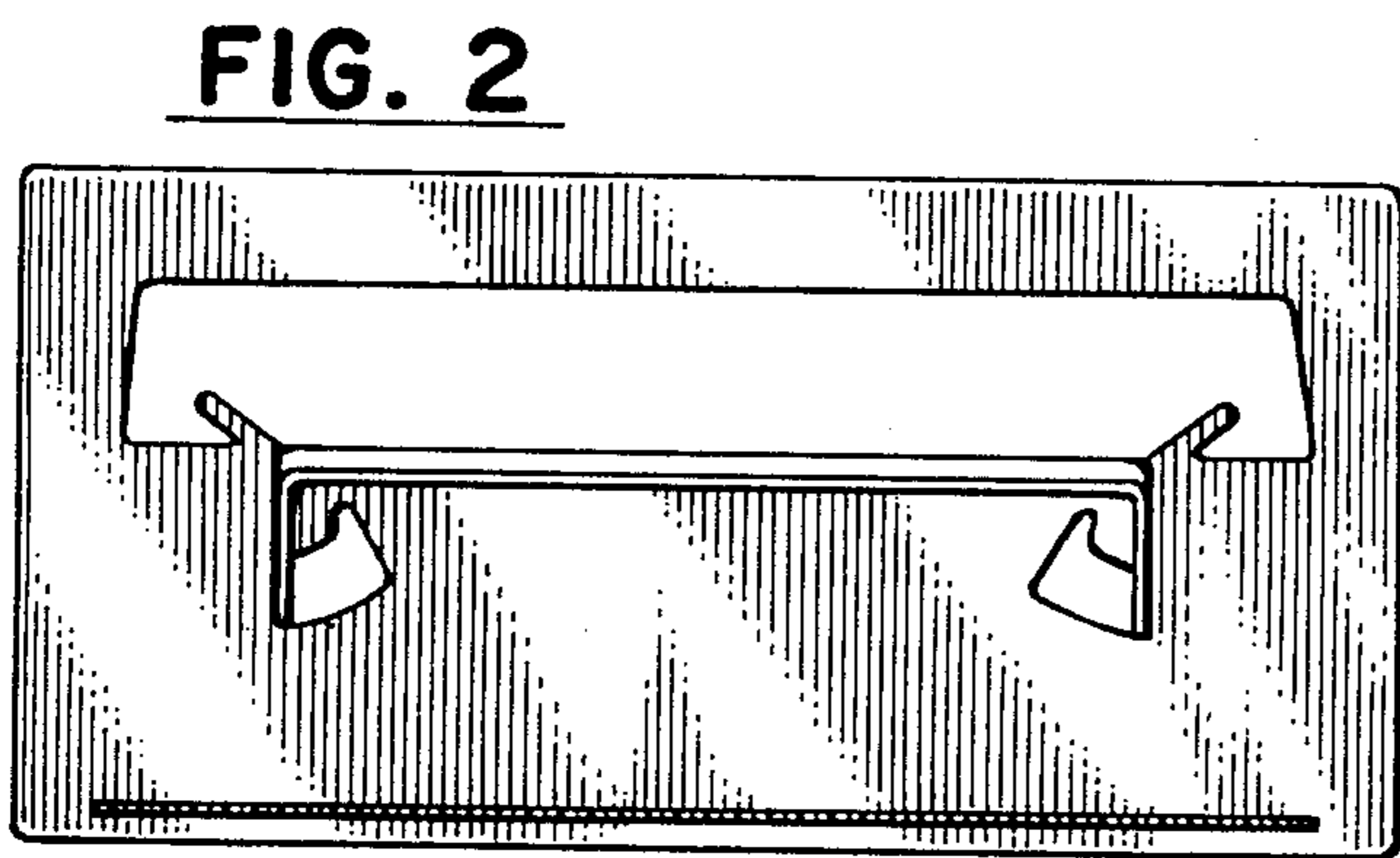


FIG. 2

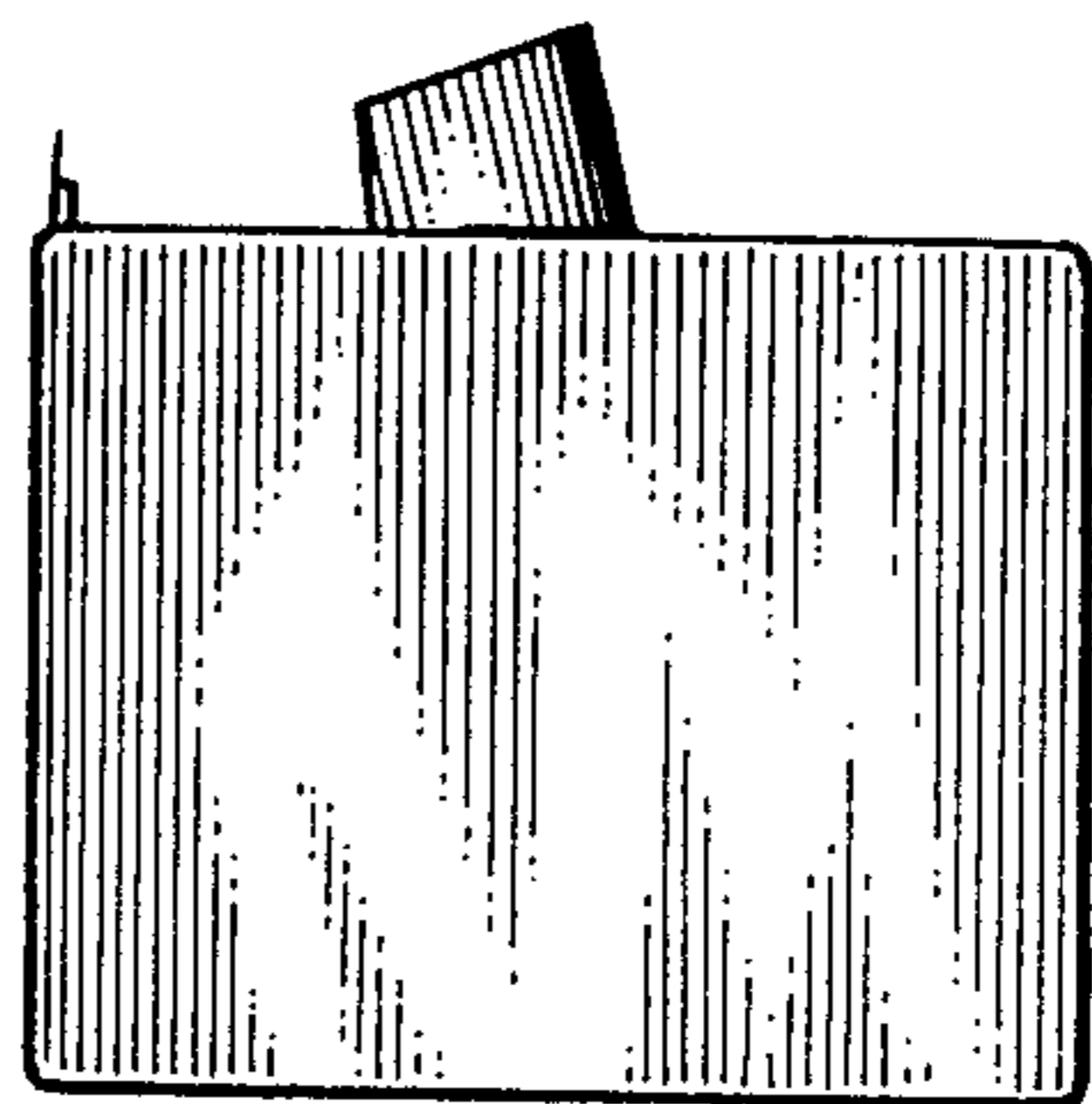


FIG. 4

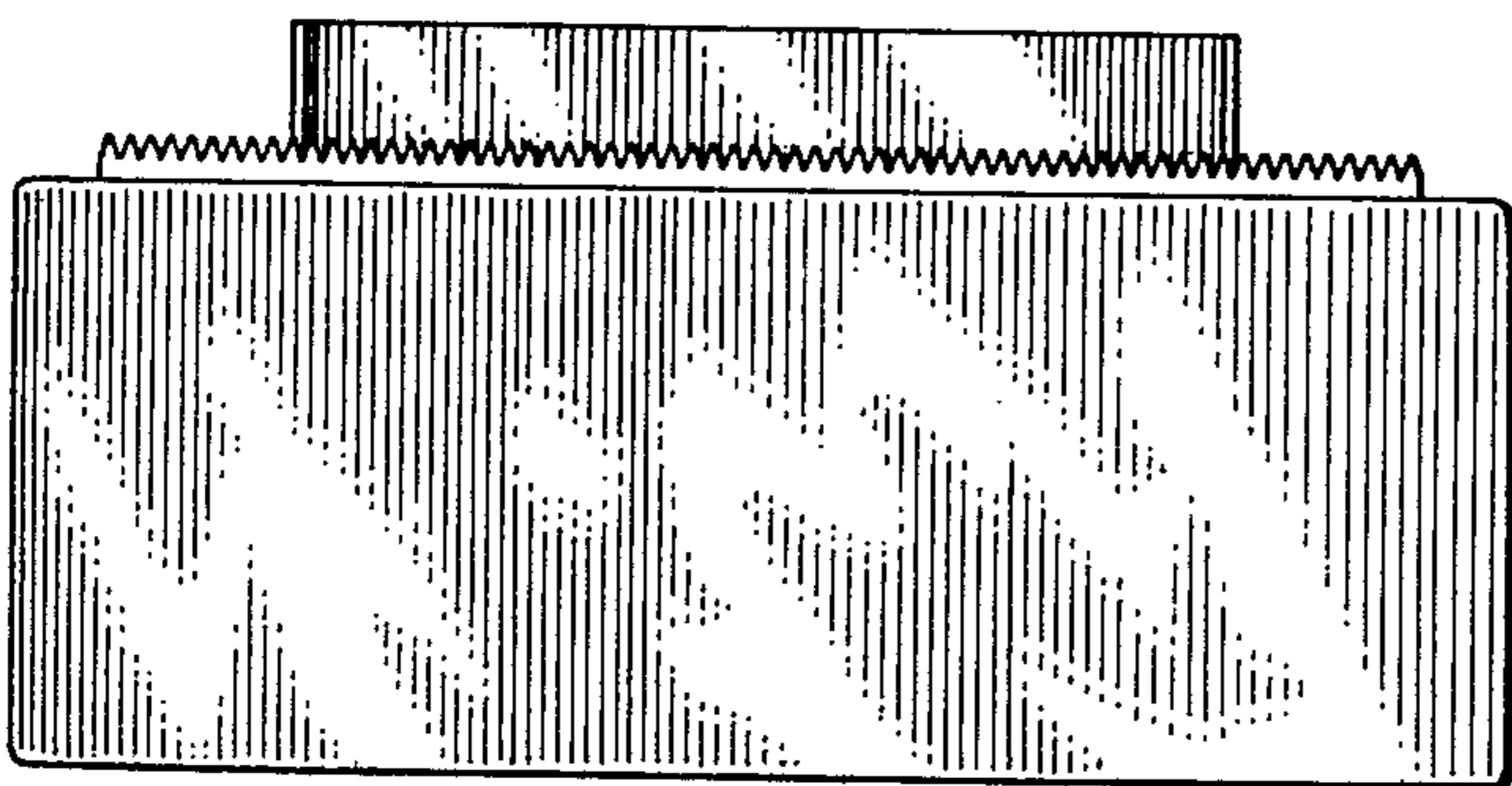


FIG. 3