

[54] QUARTER-TURN FASTENER

[75] Inventors: Norman S. Johnson, New Milford; Robert J. Trotter, Clinton, both of N.J.

[73] Assignee: United Products Inc.

[**] Term: 14 Years

[21] Appl. No.: 839,266

[22] Filed: Oct. 4, 1977

[51] Int. Cl. D08-08

[52] U.S. Cl. D8/331; D8/382; D8/394

[58] Field of Search D8/382, 331, 71, 394; 85/5 P, 7; 24/221 K, 221 A

[56] References Cited

U.S. PATENT DOCUMENTS

2,239,125	4/1941	Summers	85/5 P
3,554,075	1/1971	Johnson	85/7
3,564,563	2/1971	Trotter et al.	24/221 K

FOREIGN PATENT DOCUMENTS

2137505	2/1973	Fed. Rep. of Germany	85/5 P
---------	--------	----------------------------	--------

Primary Examiner—W. Stallard
Attorney, Agent, or Firm—Cyrus D. Samuelson

[57] CLAIM

The ornamental design for a quarter-turn fastener, as shown and described.

DESCRIPTION

FIG. 1 is a perspective view of a quarter-turn fastener showing a first embodiment of our new design, with the elements of the fastener separated;

FIG. 2 is a perspective view of a quarter-turn fastener showing a second embodiment of our new design, with the elements of the fastener separated;

FIG. 3 is a front elevational view of the quarter-turn fastener of FIG. 1, with the elements assembled, both the front and rear having the same appearance;

FIG. 4 is a side elevational view of the quarter-turn fastener of FIG. 3, both sides having the same appearance;

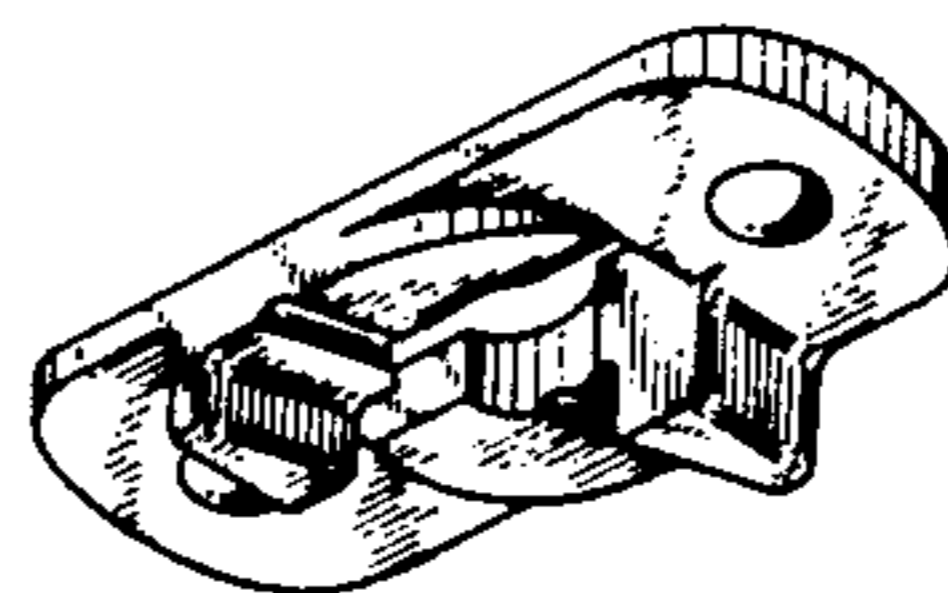
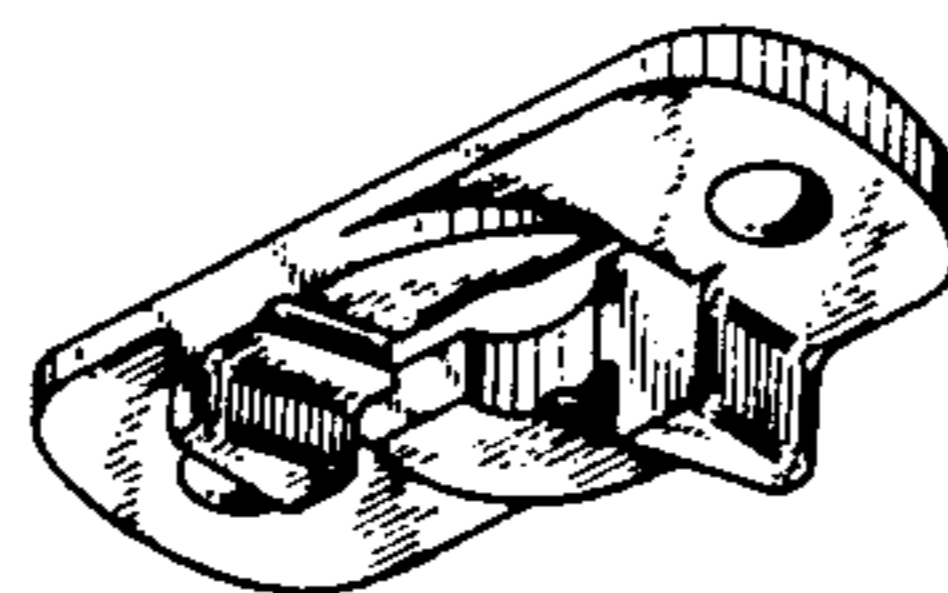
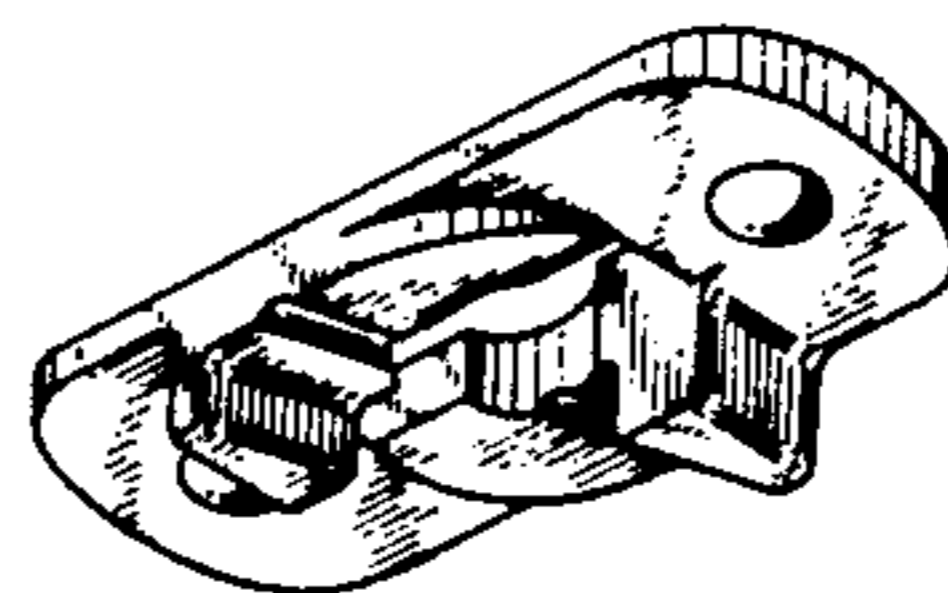
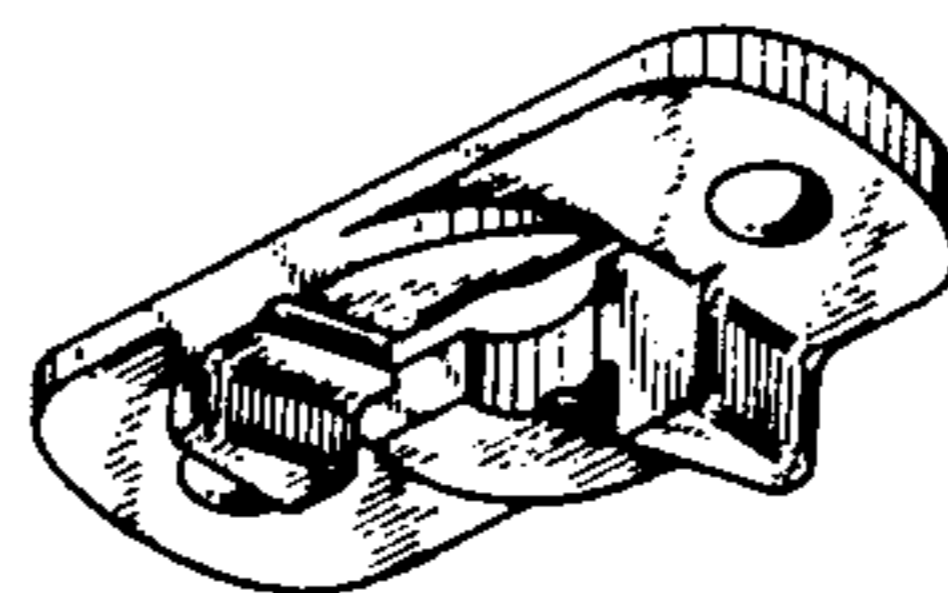
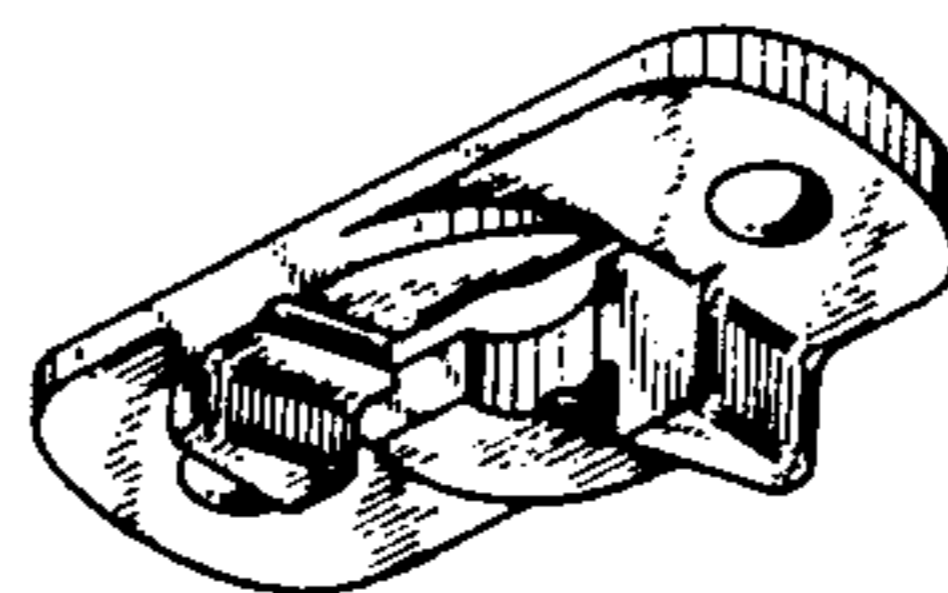
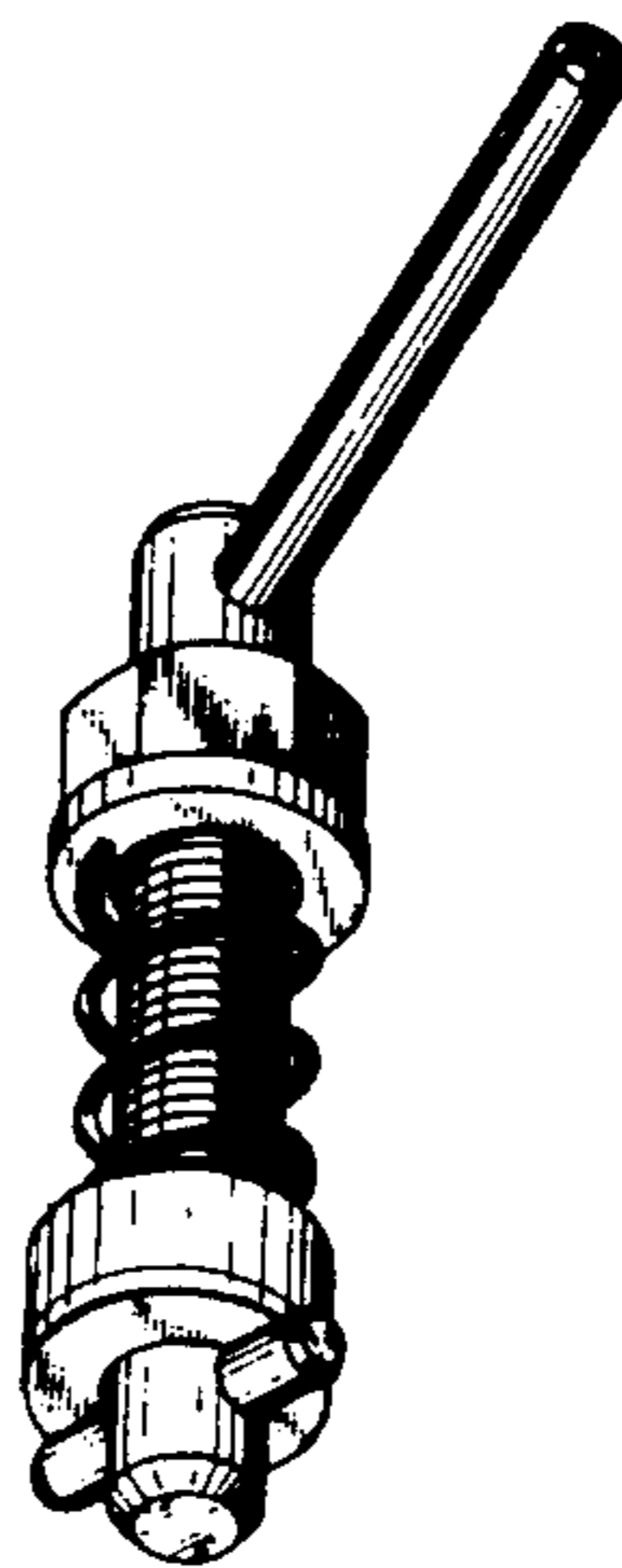
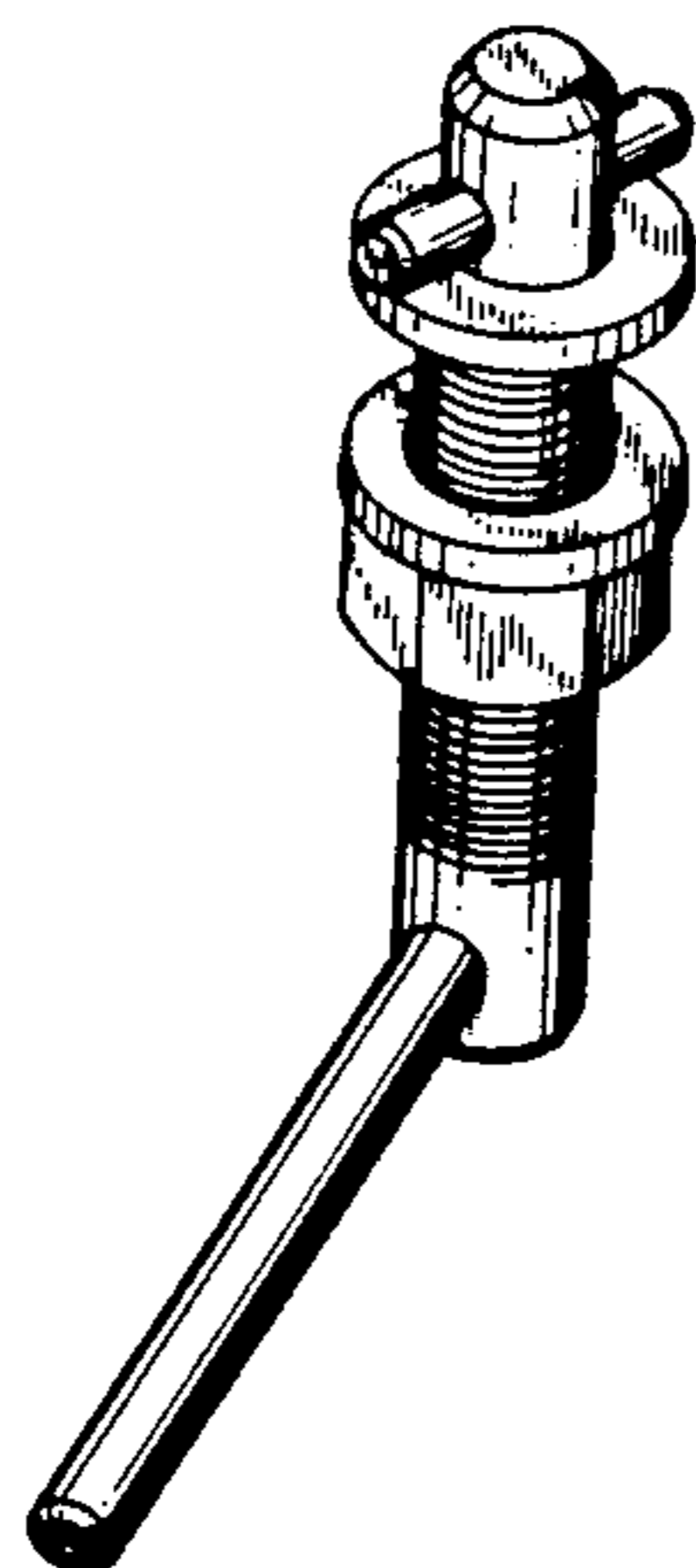
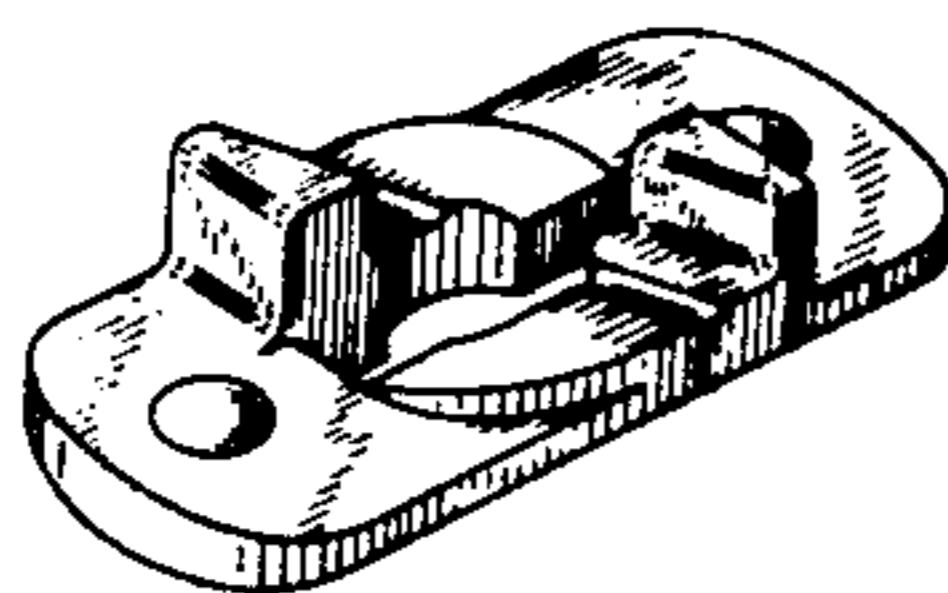
FIG. 5 is a front elevational view of the quarter-turn fastener of FIG. 2, with the elements assembled, both the front and rear having the same appearance;

FIG. 6 is a side elevational view of the quarter-turn fastener of FIG. 5, both sides having the same appearance.

FIG. 7 is a top plan view of the quarter-turn fastener of FIG. 3 and a bottom plan view of the quarter-turn fastener of FIG. 5; and

FIG. 8 is a bottom plan view of the quarter-turn fastener of FIG. 3 and a top plan view of the quarter-turn fastener of FIG. 5.

The broken lines shown in FIGS. 3 to 8 are shown for illustrative purposes only and form no part of the claimed design.



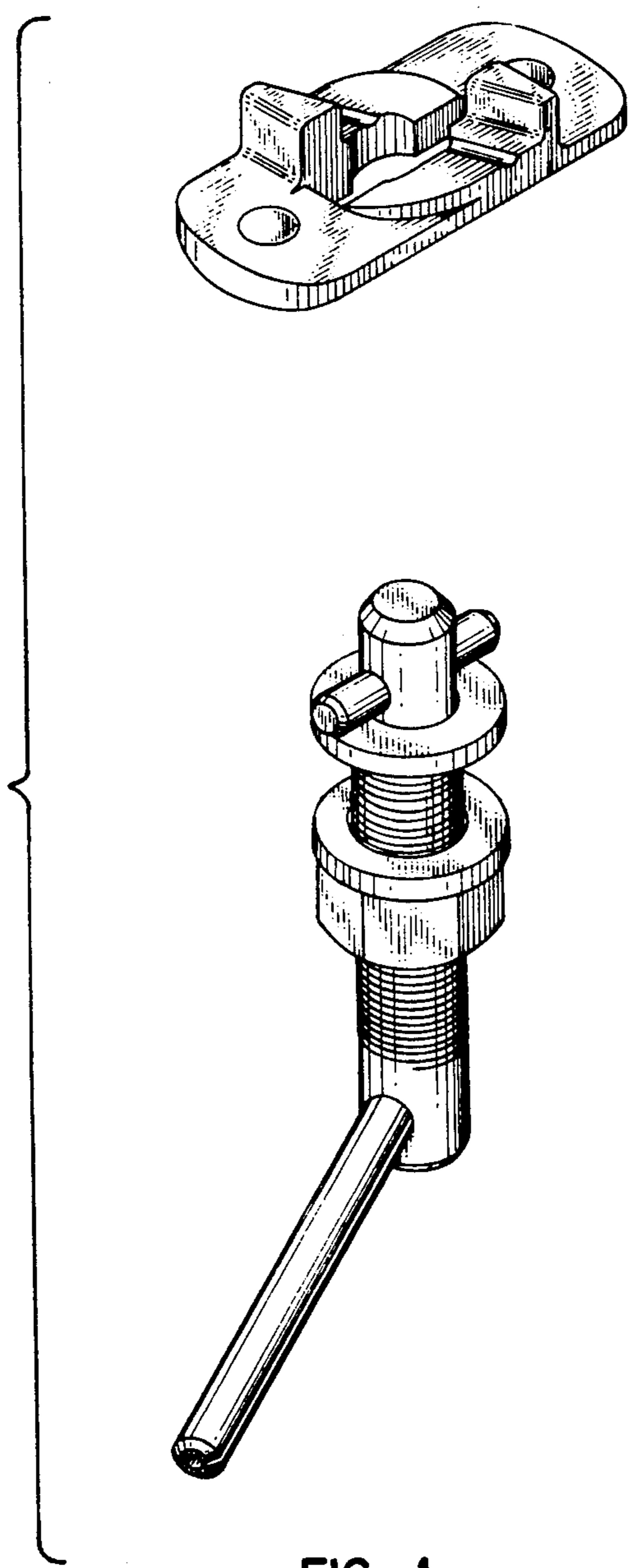


FIG. 1

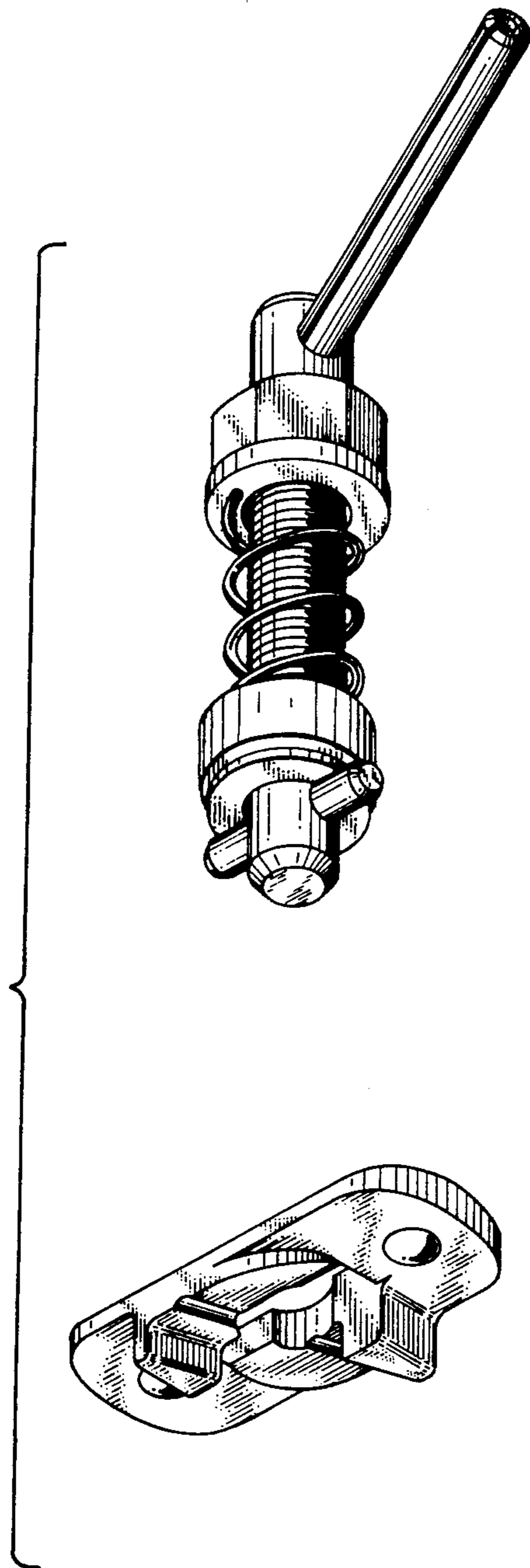


FIG. 2

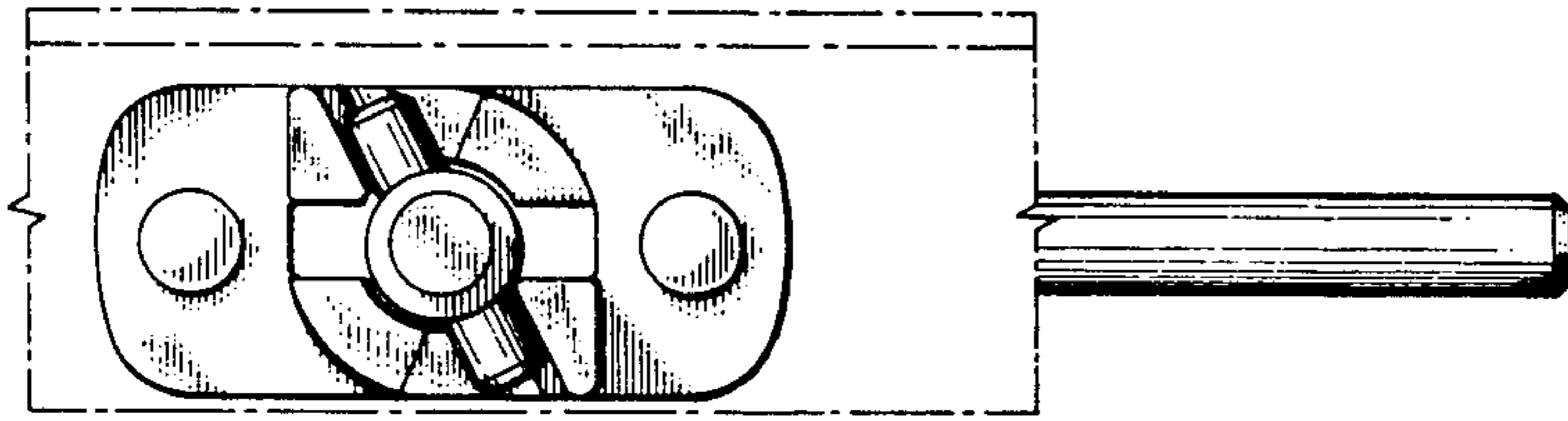


FIG. 7

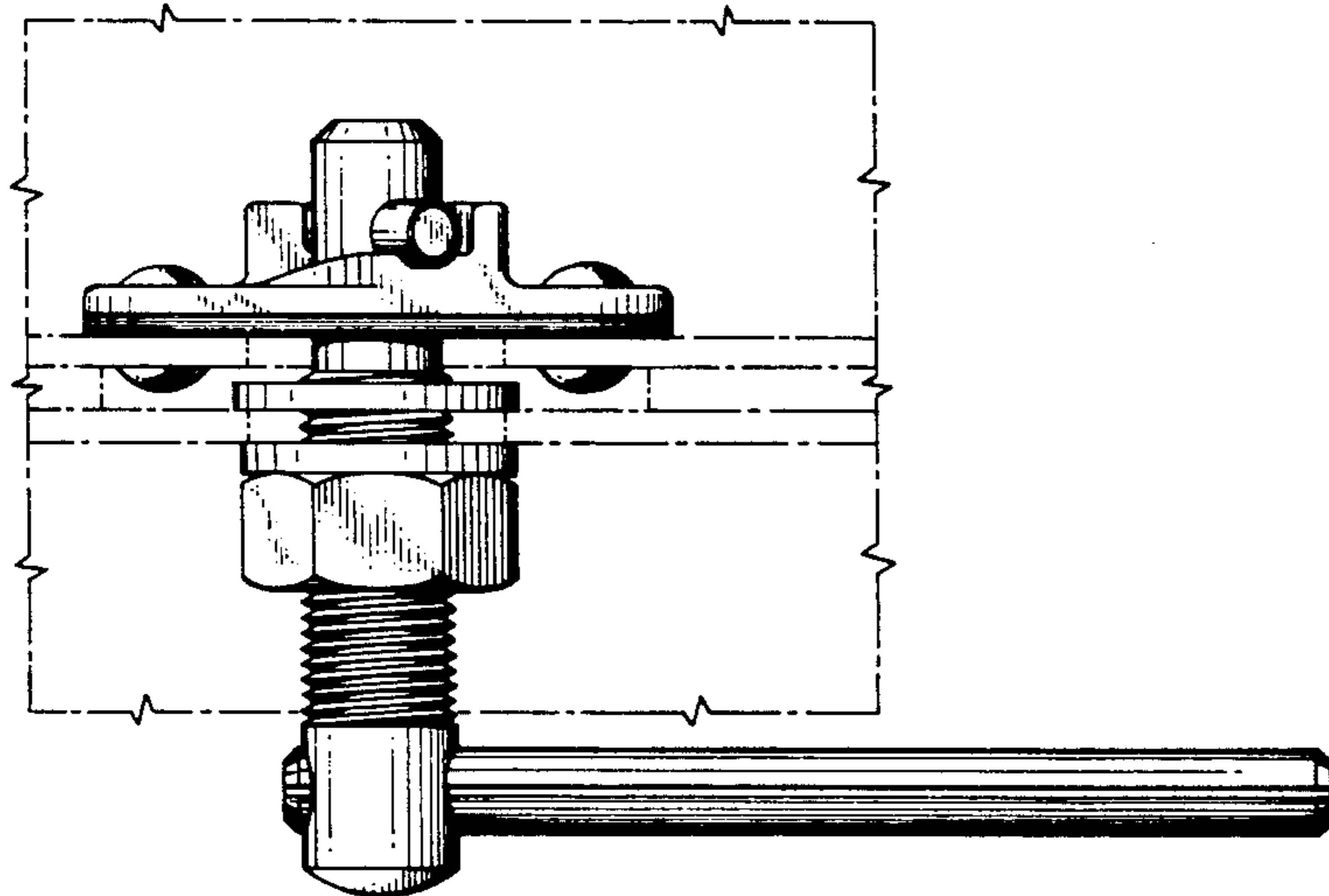


FIG. 3

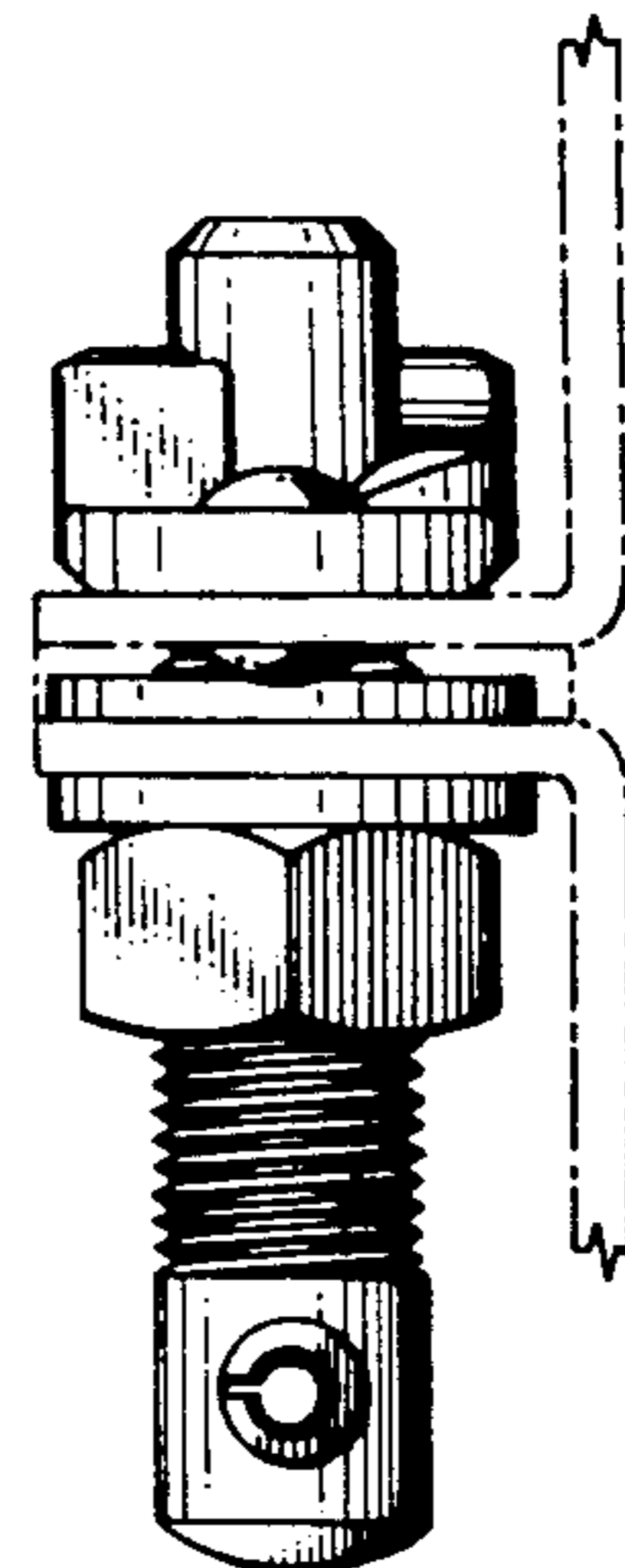


FIG. 4

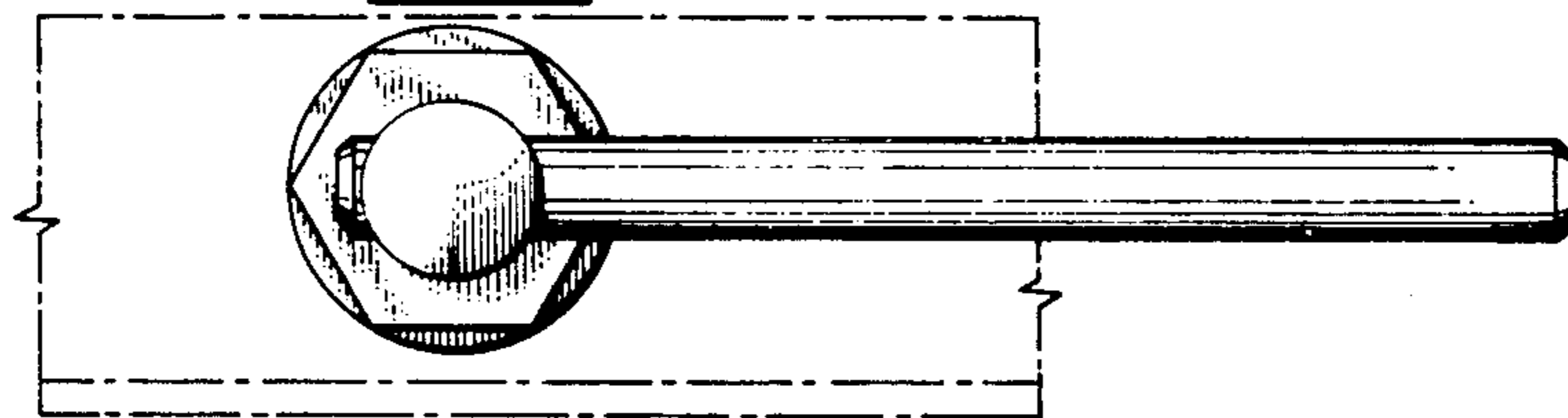


FIG. 8

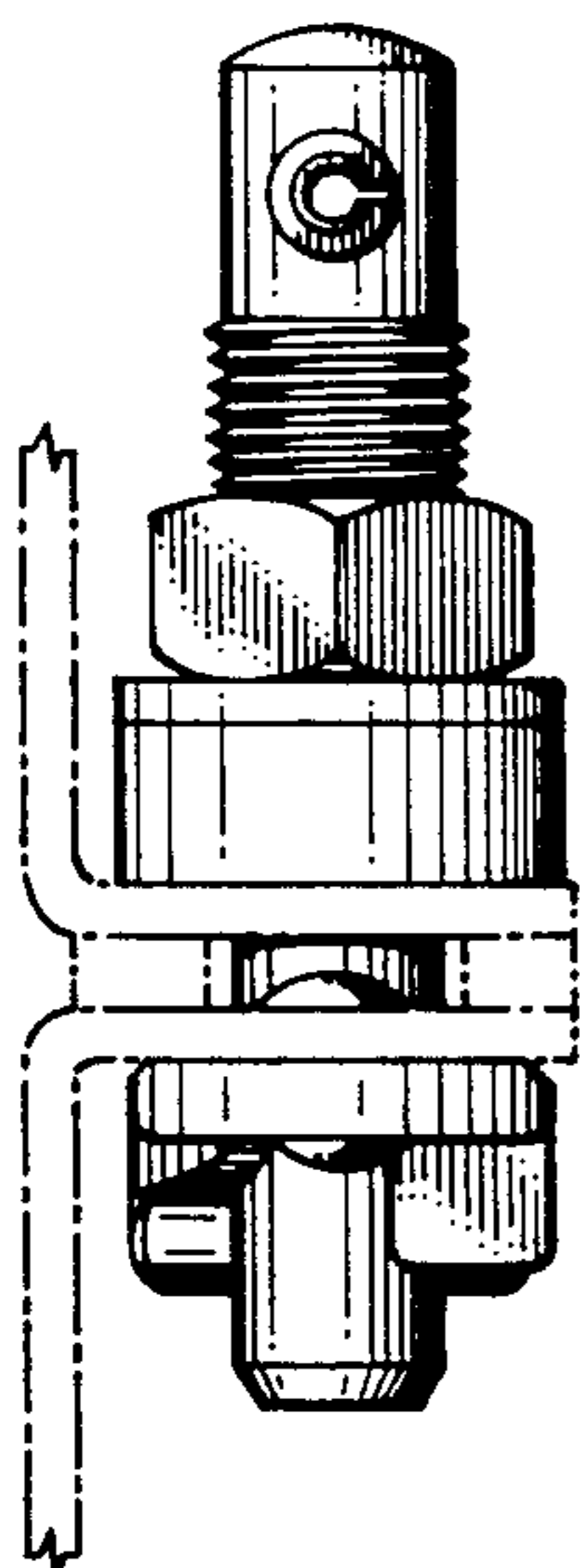


FIG. 6

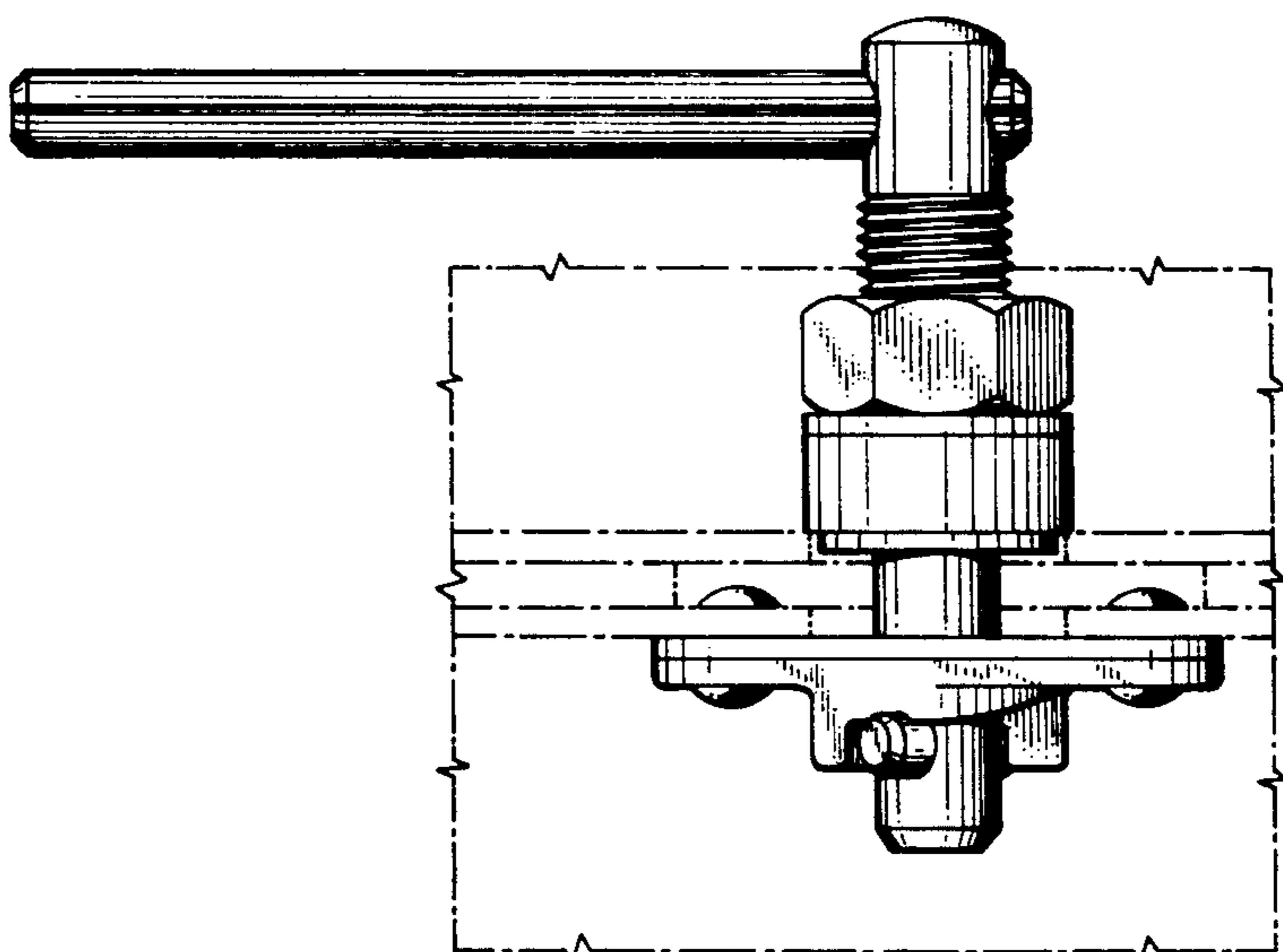


FIG. 5