

[54] **GLUE GUN HOLDER**

[76] Inventor: **Maria I. Cruz**, 252811 Pericia, Mission Viejo, Calif. 92691

[**] Term: **14 Years**

[21] Appl. No.: **855,958**

[22] Filed: **Nov. 30, 1977**

[51] Int. Cl. **D8-99**

[52] U.S. Cl. **D8/71; D15/140; D8/30**

[58] Field of Search **D8/71; D15/140; 211/69, 211/69.1, 60 R, 60 M; 248/176, 177, 187, 346**

[56] **References Cited**

U.S. PATENT DOCUMENTS

D. 232,760	9/1974	Lanese	D15/140
D. 239,431	4/1976	Spencer	D8/30
3,233,951	2/1966	Deal	211/60 M

3,727,771 4/1973 Hoffman D8/71

Primary Examiner—W. Stallard
Attorney, Agent, or Firm—Nienow and Frater

[57] **CLAIM**

The ornamental design for a glue gun holder, as shown and described.

DESCRIPTION

FIG. 1 is a perspective view of a glue gun holder showing my design;

FIG. 2 is a top plan view thereof;

FIG. 3 is a first side view of the holder showing my design;

FIG. 4 is a second side view thereof;

FIG. 5 is a third side view thereof; and

FIG. 6 is a fourth side view of the glue gun holder showing my design.

The bottom view is complementally-shaped with respect to all of the top or exterior views shown in FIGS. 1-6 inclusive.

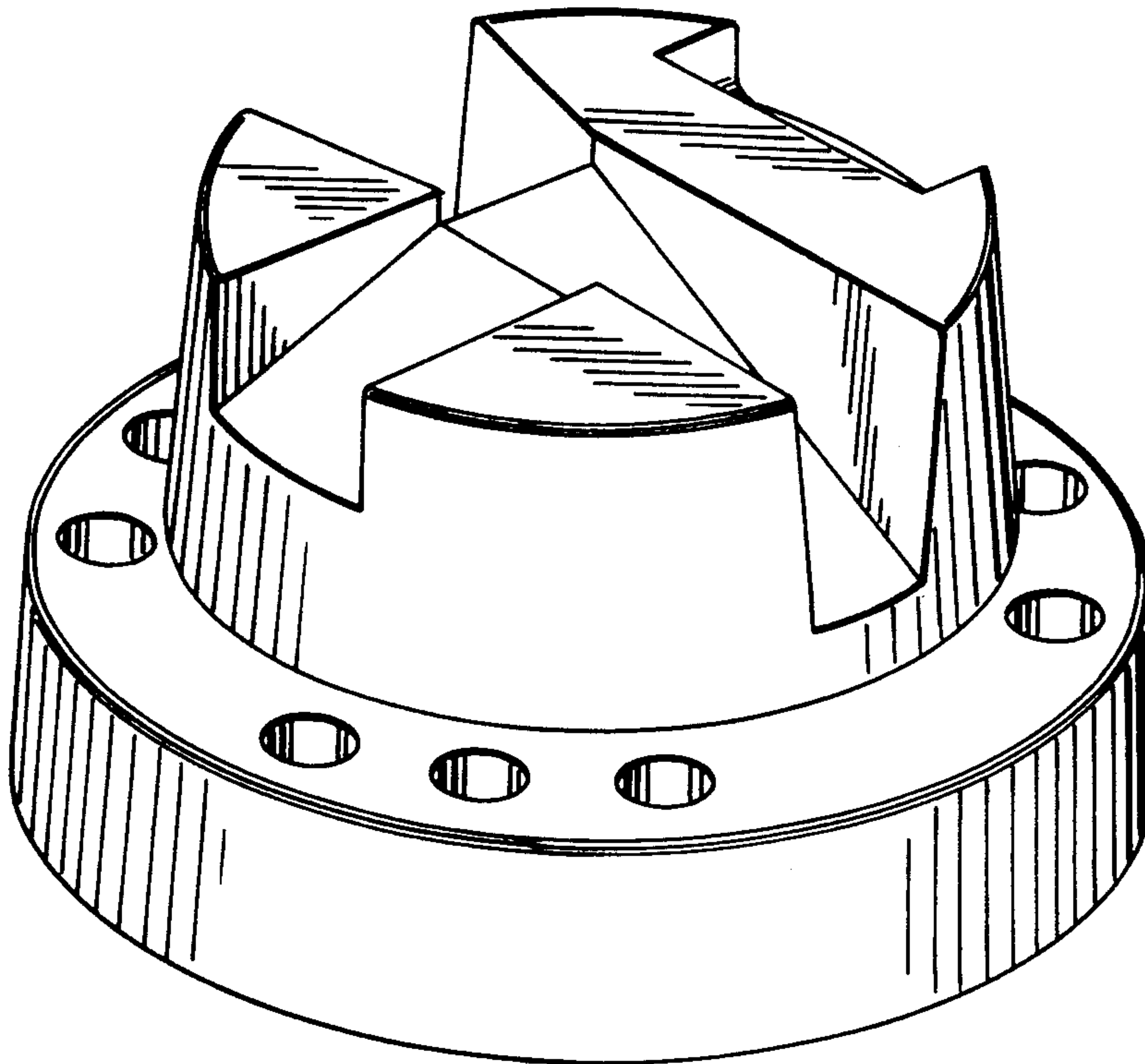


FIG. 1

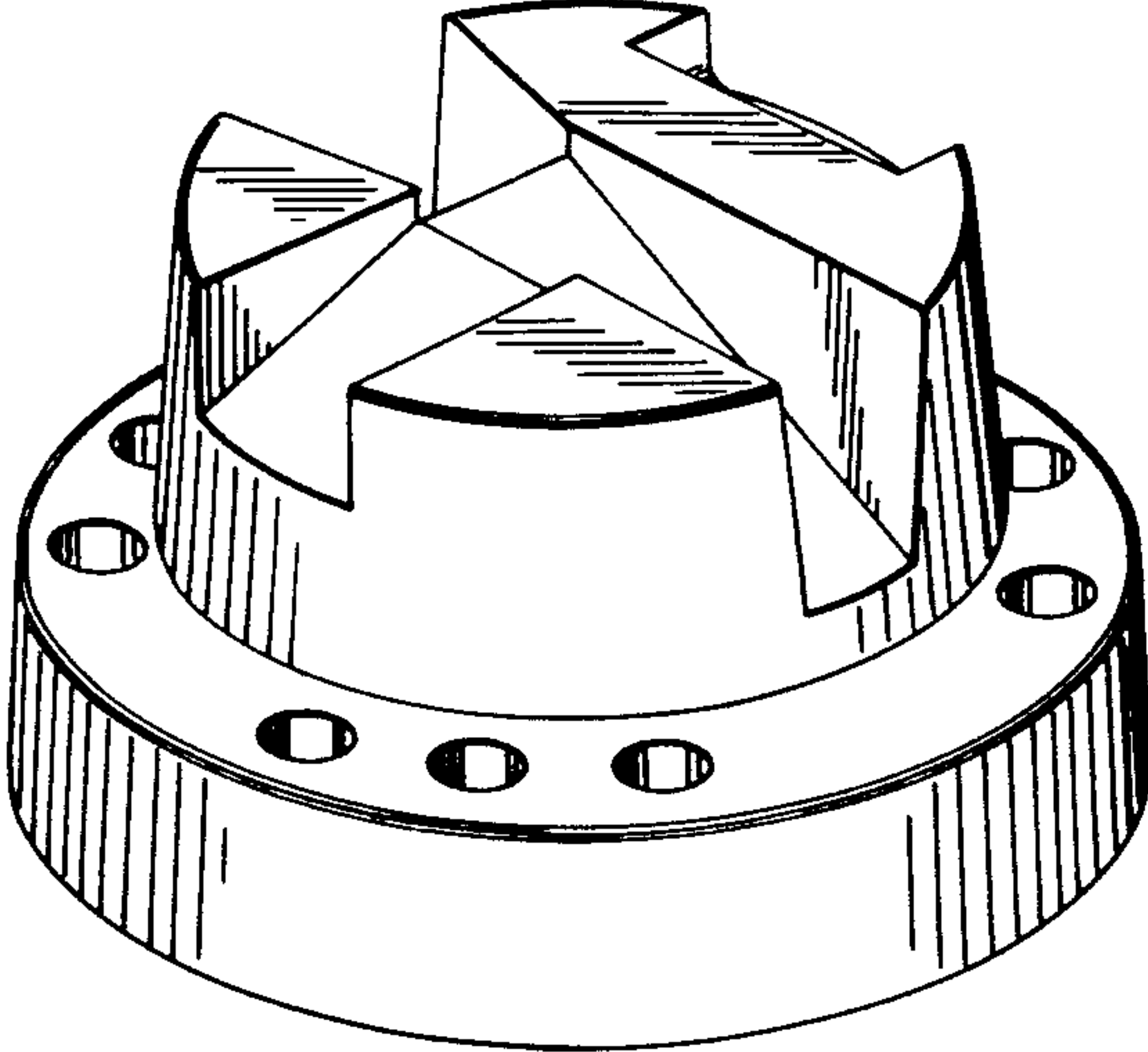


FIG. 2

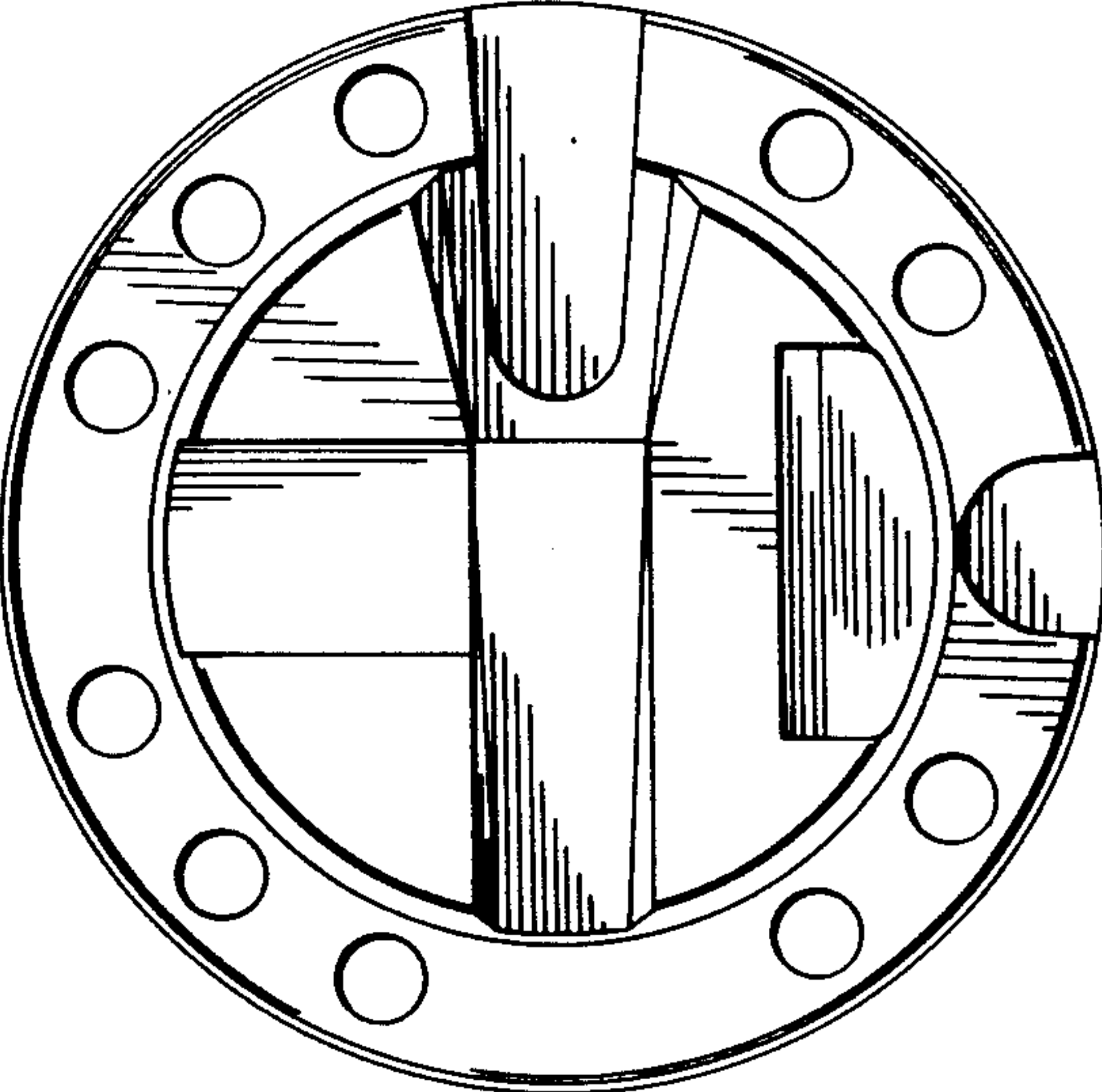


FIG. 3



FIG. 4

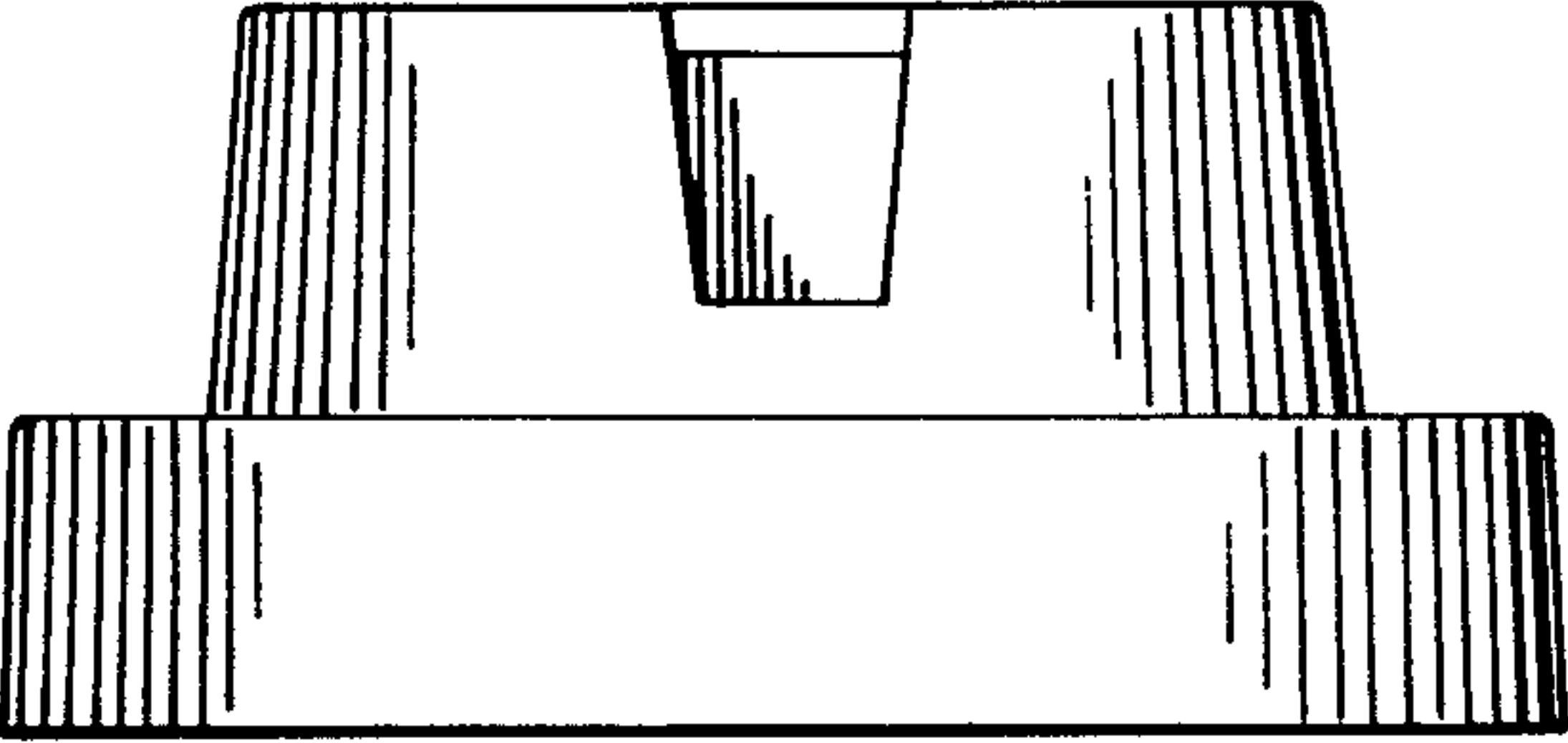


FIG. 5

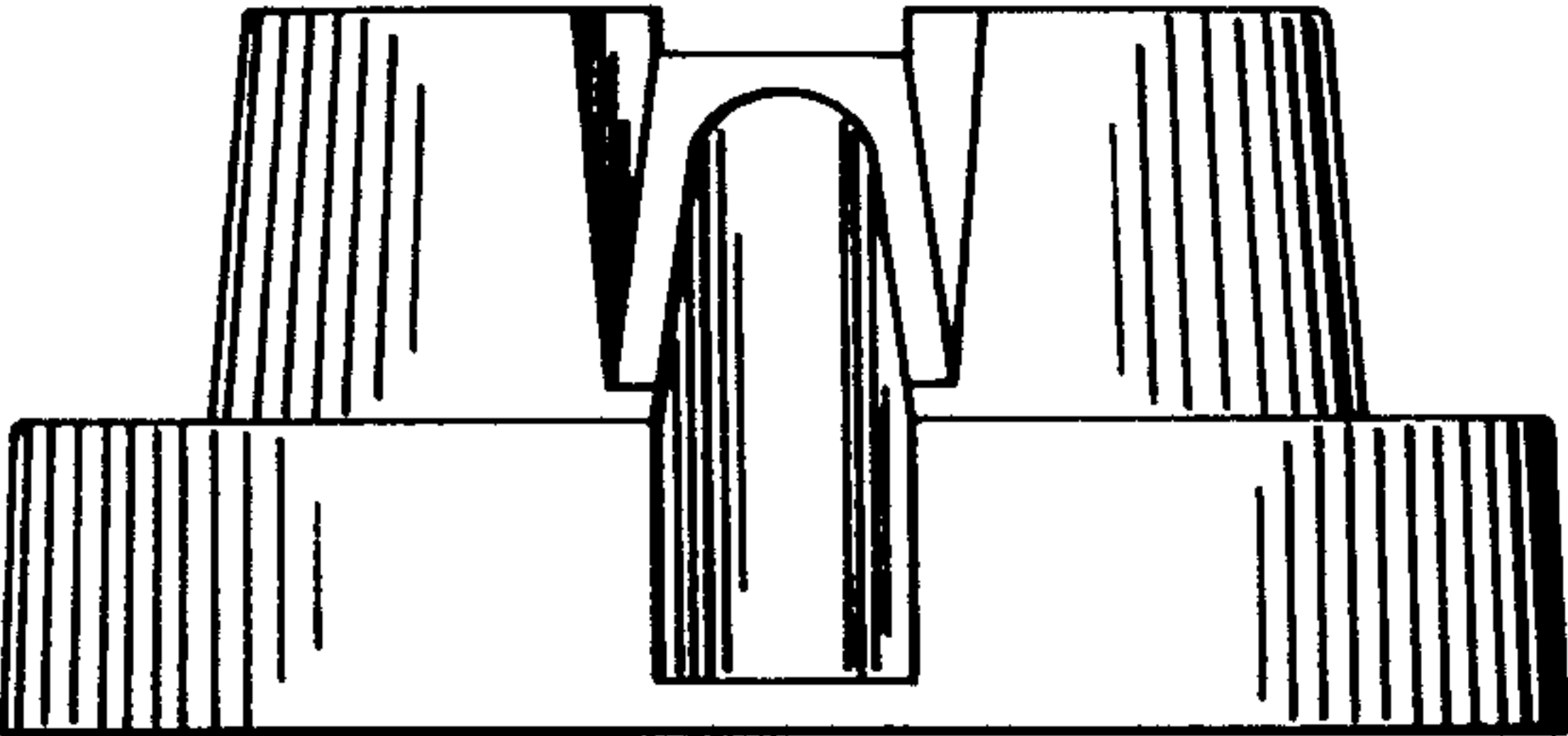


FIG. 6

