

[54] CHAIN SAW

[75] Inventor: Kazumasa Asamoto, Hiroshima, Japan

[73] Assignee: Shindaiwa Kogyo Co., Ltd., Hiroshima, Japan

[**] Term: 14 Years

[21] Appl. No.: 879,871

[22] Filed: Feb. 21, 1978

[51] Int. Cl. D08-03

[52] U.S. Cl. D8/65

[58] Field of Search D8/65; 30/381-386

[56] References Cited

FOREIGN PATENT DOCUMENTS

971464 7/1975 Canada 30/381

OTHER PUBLICATIONS

Homelite® 150 Automatic Chain Saw.

Primary Examiner—W. Stallard

Attorney, Agent, or Firm—Cushman, Darby & Cushman

[57] CLAIM

The ornamental design for a chain saw, substantially as shown.

DESCRIPTION

FIG. 1 is a rear perspective view of a chain saw showing my new design;

FIG. 2 is an elevational view of the side opposite that shown in FIG. 1;

FIG. 3 is a top plan view thereof;

FIG. 4 is a bottom plan view thereof;

FIG. 5 is a front elevational view thereof; and

FIG. 6 is a rear elevational view thereof.

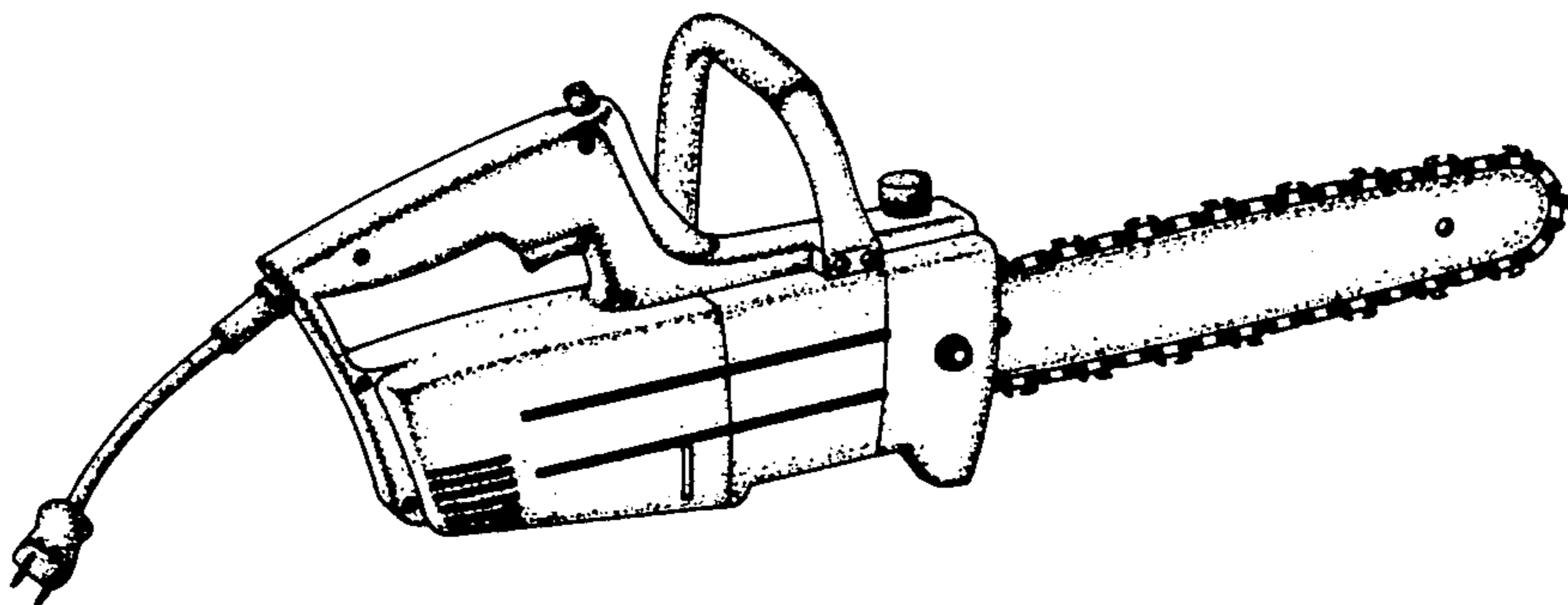


FIG.1

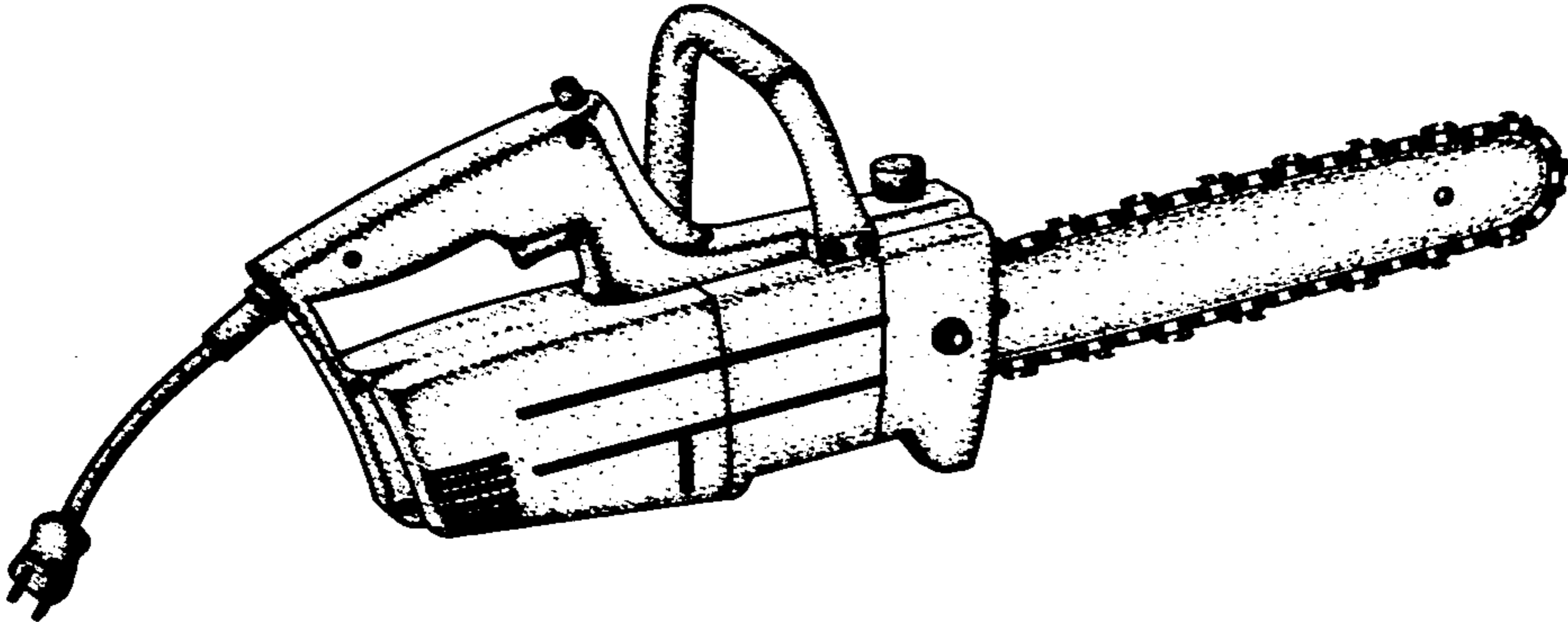


FIG.2

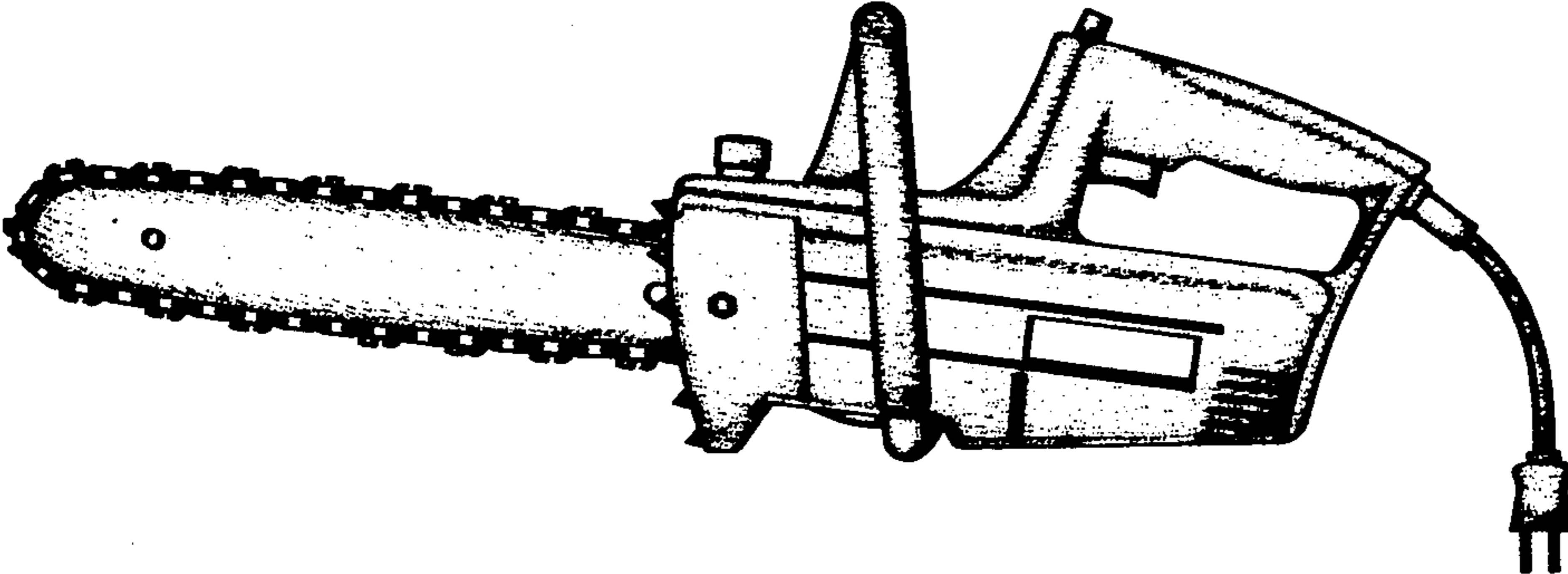


FIG.3

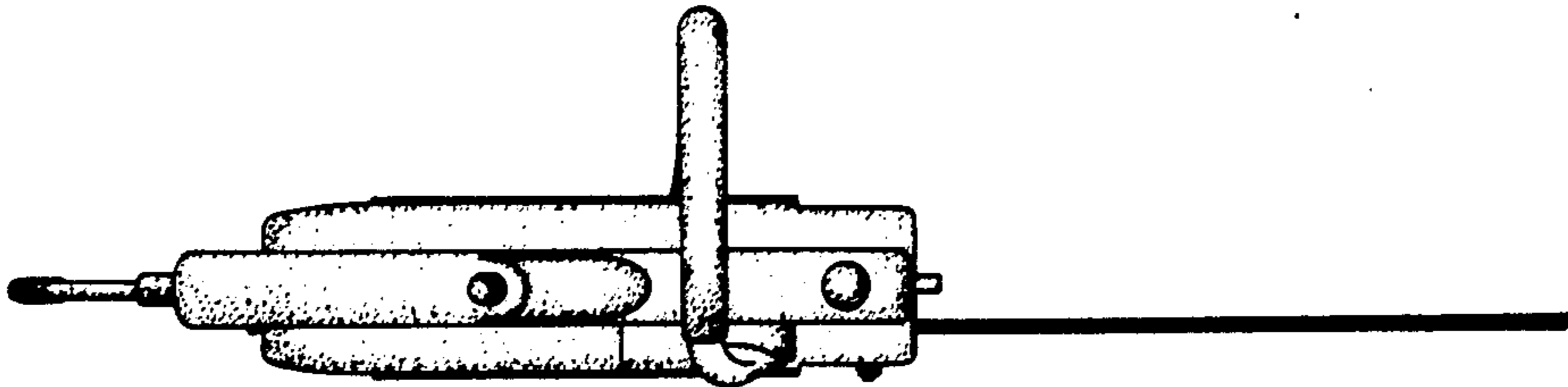


FIG.4

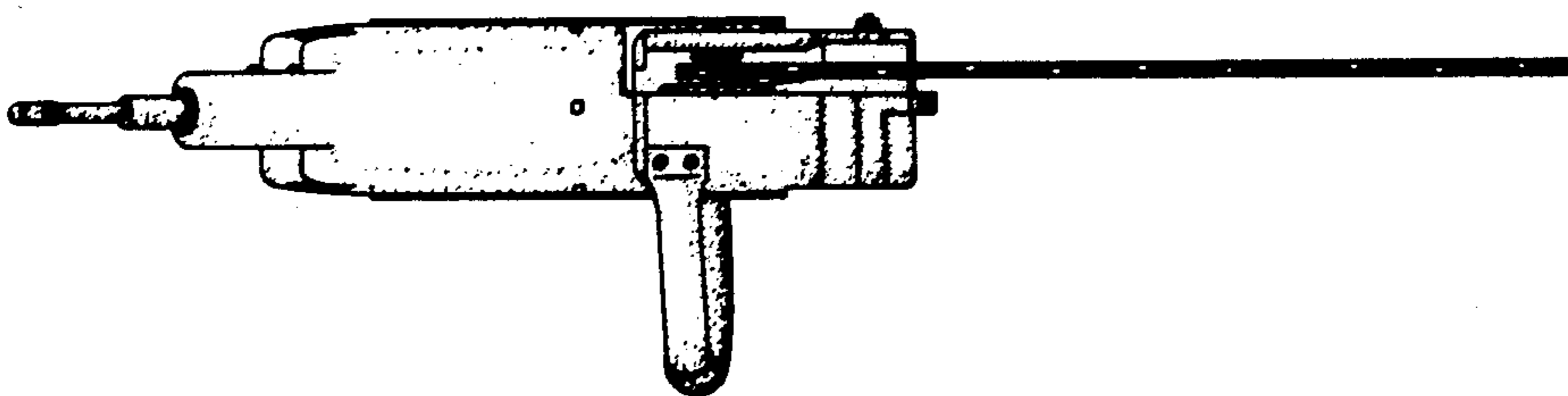


FIG.5

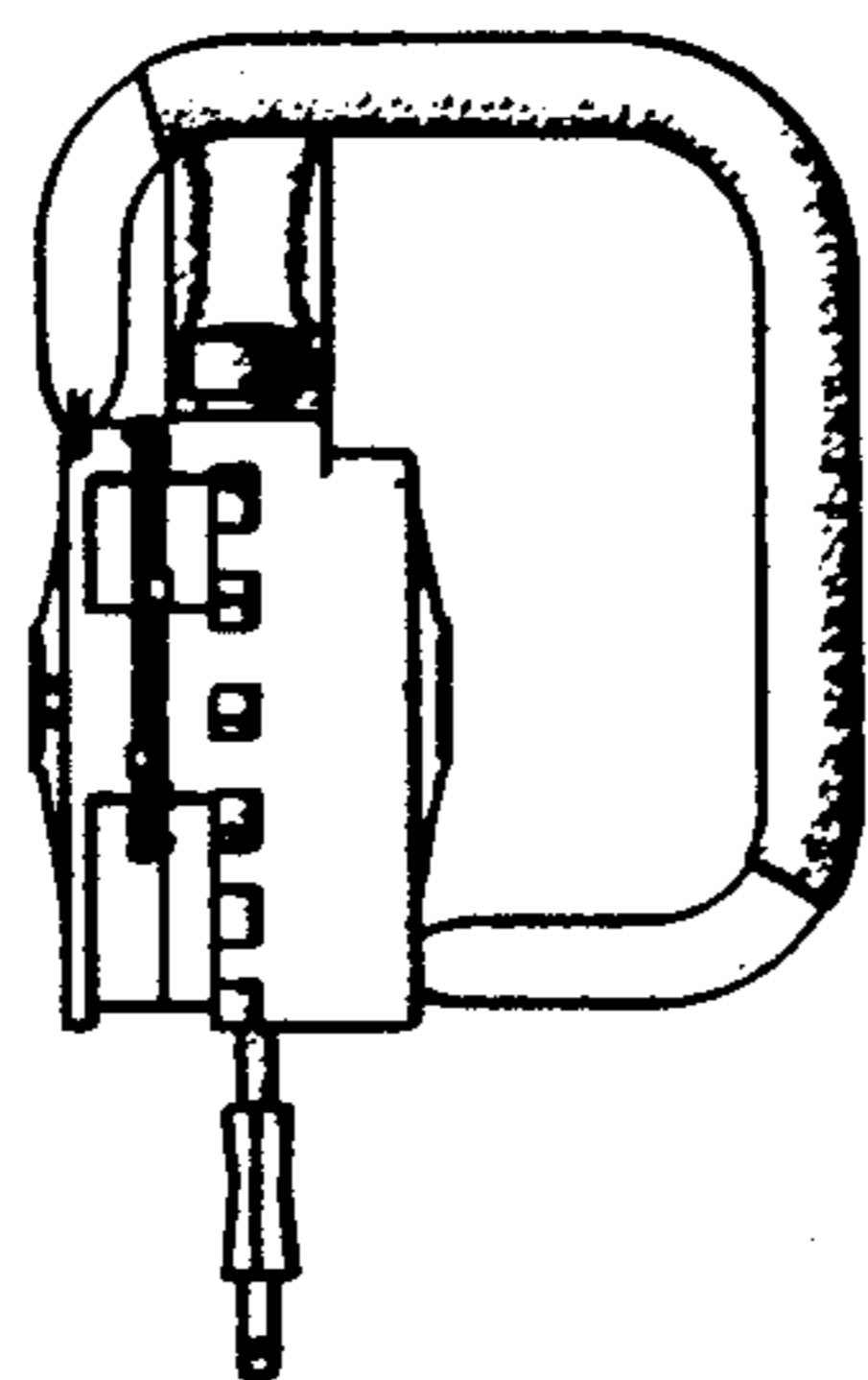


FIG.6

