

[54] HUB PULLING DEVICE

[76] Inventors: Jim L. Immel; Carl E. Stitt, both of P.O. Box 32884, Oklahoma City, Okla. 73123

[**] Term: 14 Years

[21] Appl. No.: 910,445

[22] Filed: May 30, 1978

[51] Int. Cl. D08-05

[52] U.S. Cl. D8/51; 29/256

[58] Field of Search D8/51; 29/256, 258, 29/259

[56] References Cited

U.S. PATENT DOCUMENTS

- D. 175,922 10/1955 Whitehead et al. D8/51
- 1,879,335 9/1932 Kulp et al. 29/258

- 2,736,954 3/1956 Palmer 29/259
- 3,133,342 5/1964 Ridings 29/259

Primary Examiner—W. Stallard
Attorney, Agent, or Firm—William R. Laney

[57] CLAIM

The ornamental design for hub pulling device, substantially as shown and described.

DESCRIPTION

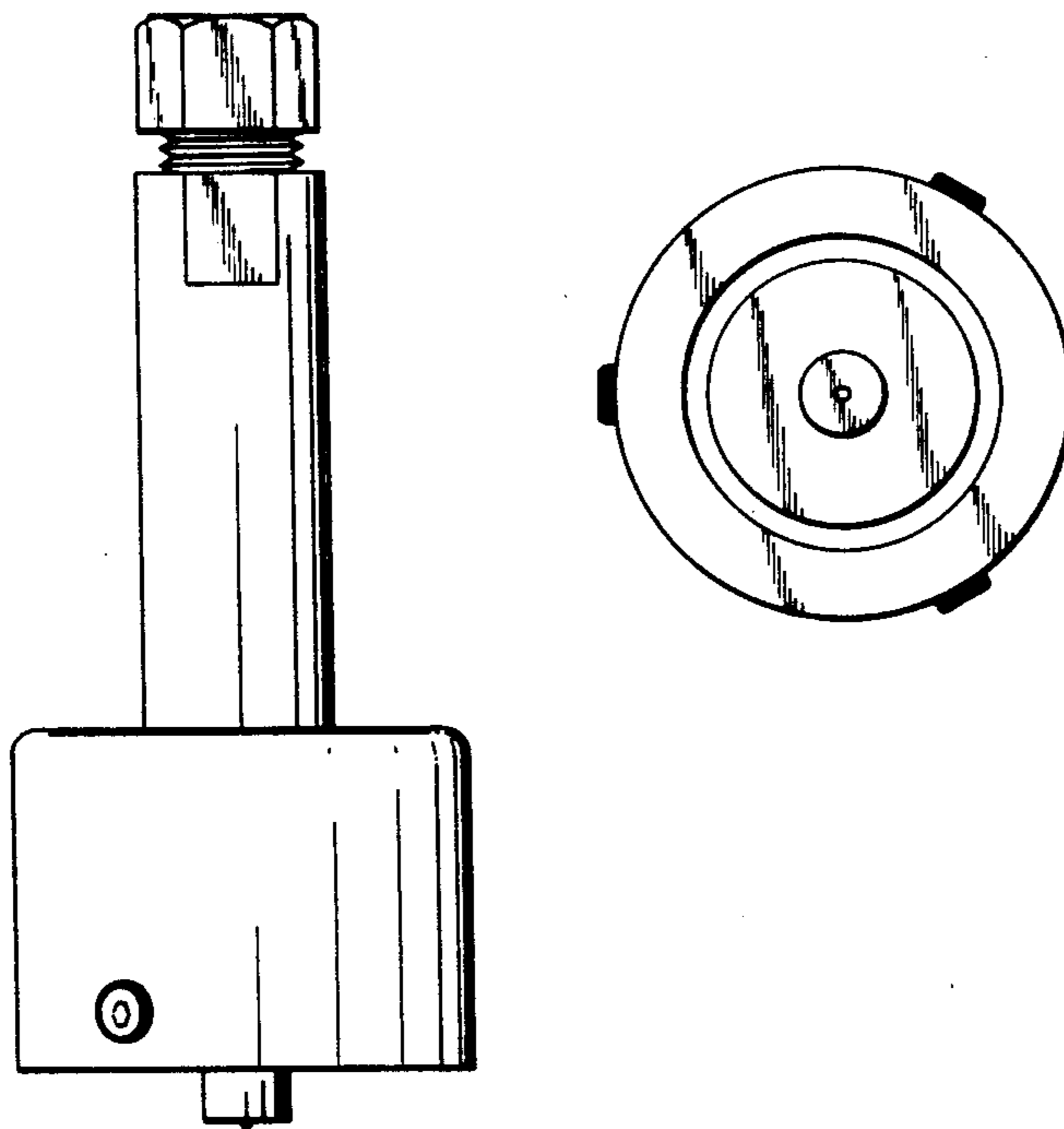
FIG. 1 is a side elevational view illustrating a hub pulling device incorporating our new design.

FIG. 2 is another side elevational view illustrating the hub pulling device after it has been rotated about its axis through 90° from the position shown in FIG. 1.

FIG. 3 is a third side elevational view of the hub pulling device as it appears after rotation through 180° from the position shown in FIG. 1.

FIG. 4 is a top plan view of the hub pulling device.

FIG. 5 is a bottom plan view of the hub pulling device.



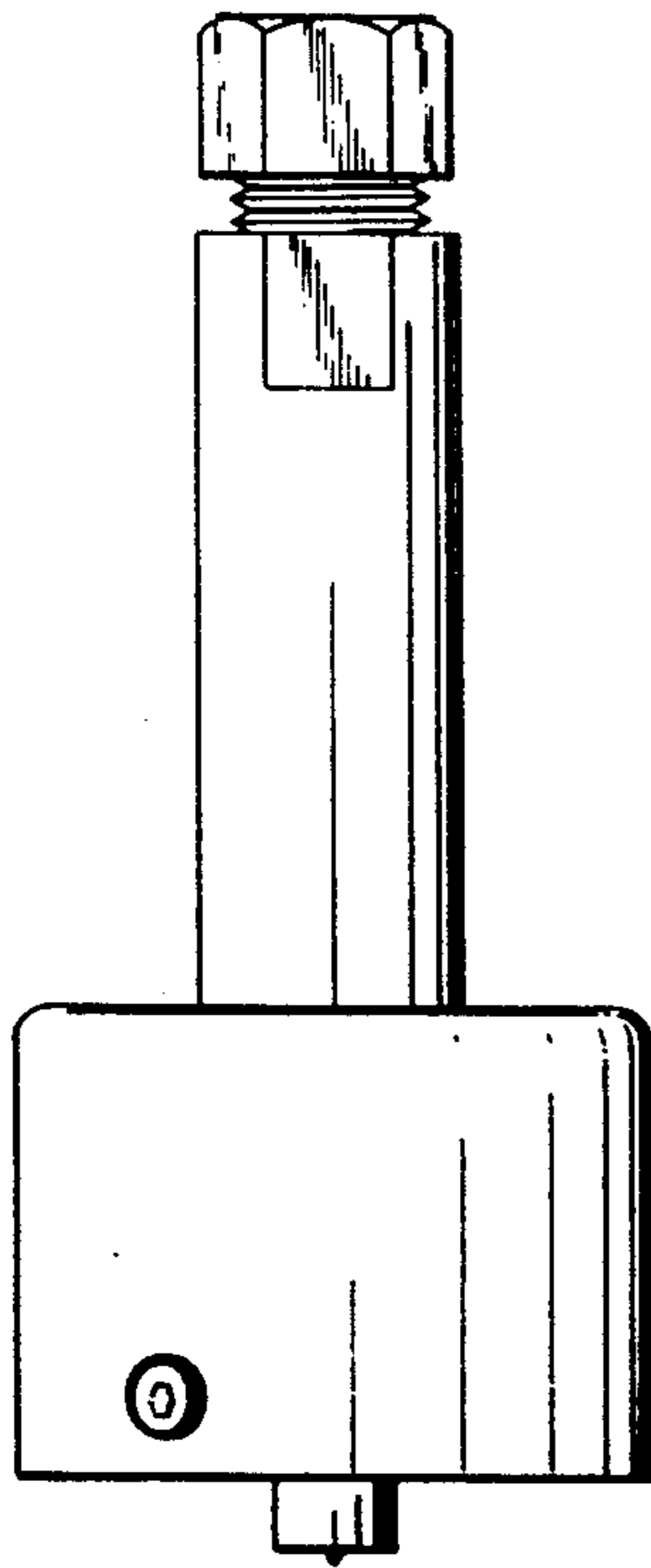


FIG. 1

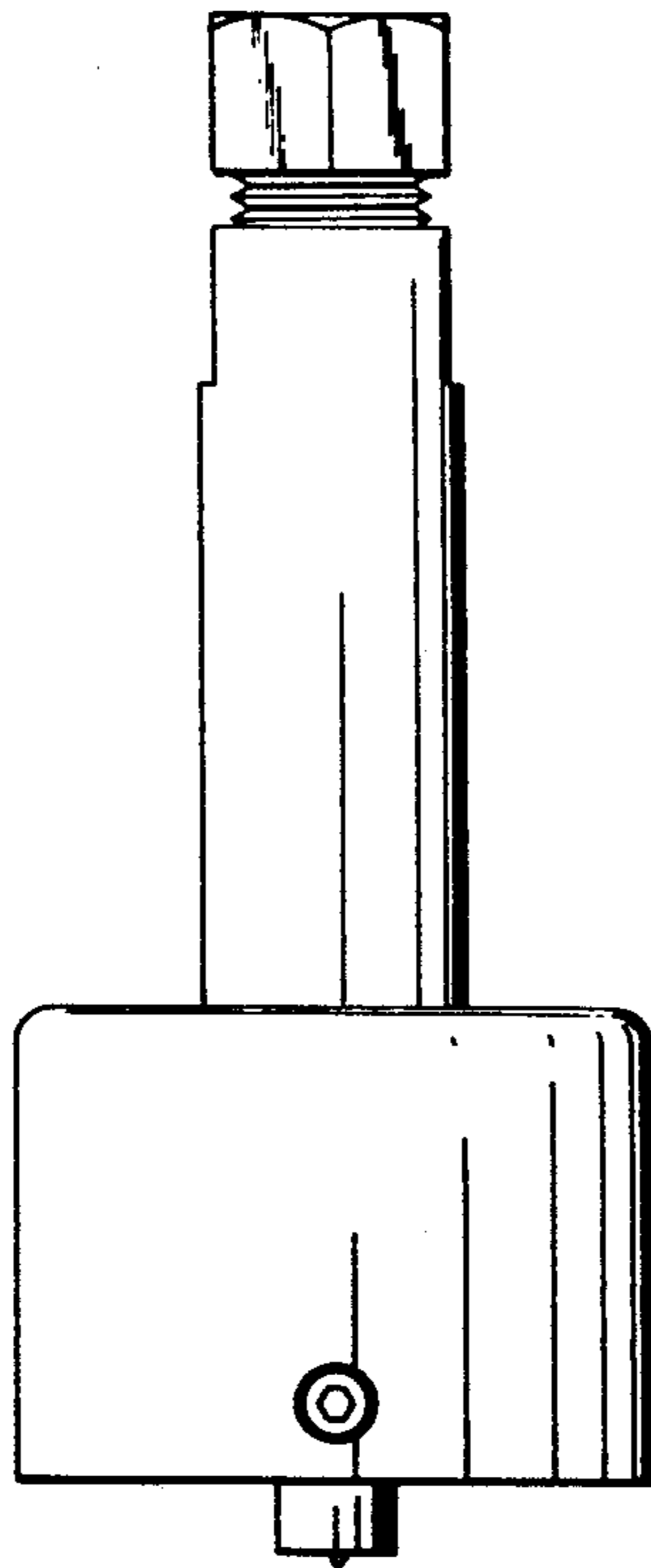


FIG. 2

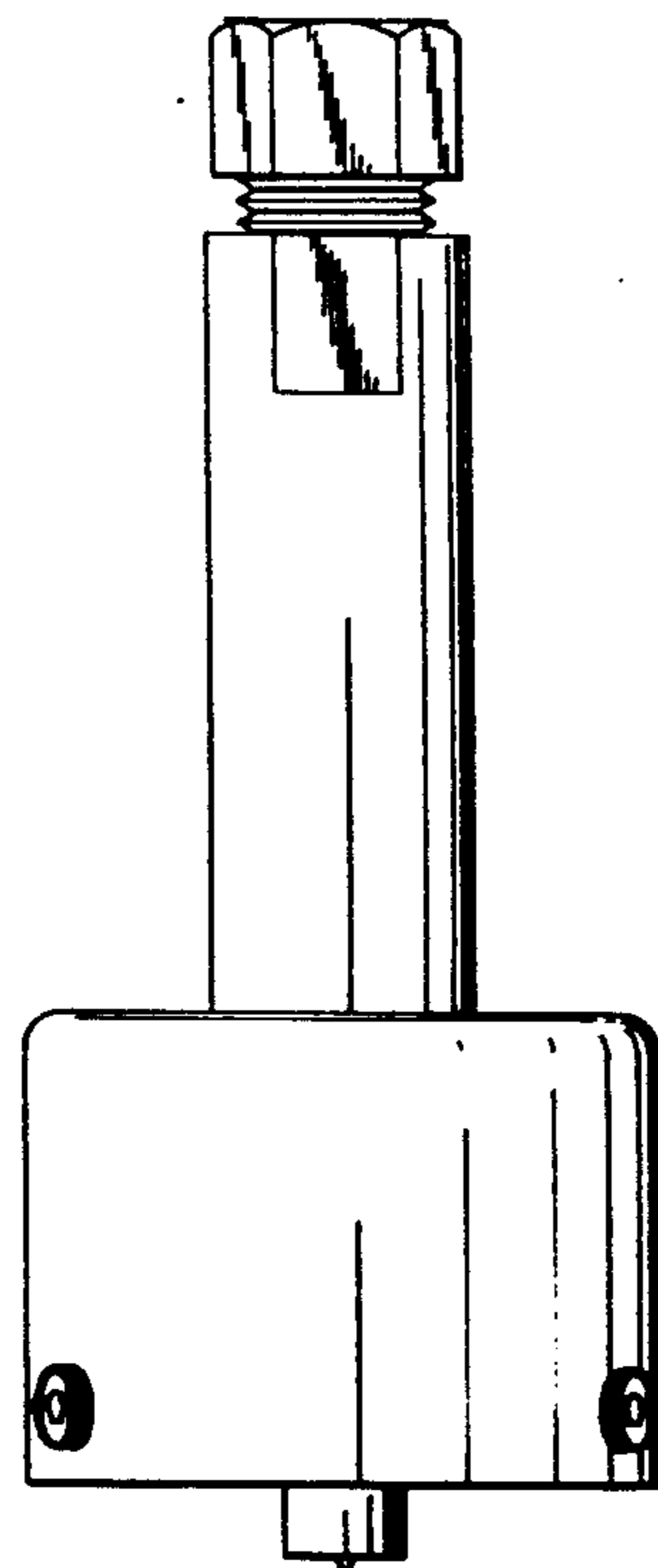


FIG. 3

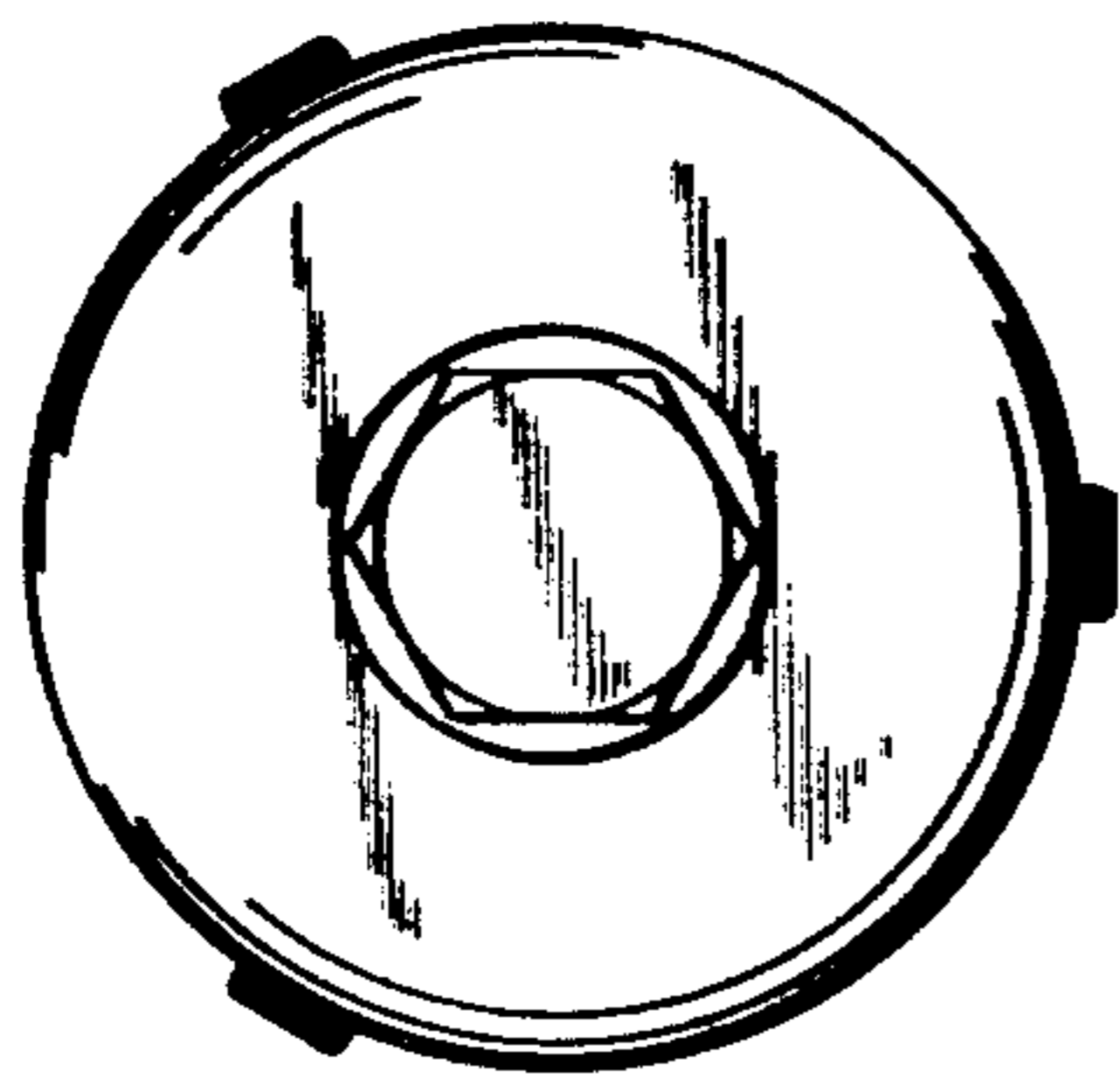


FIG. 4

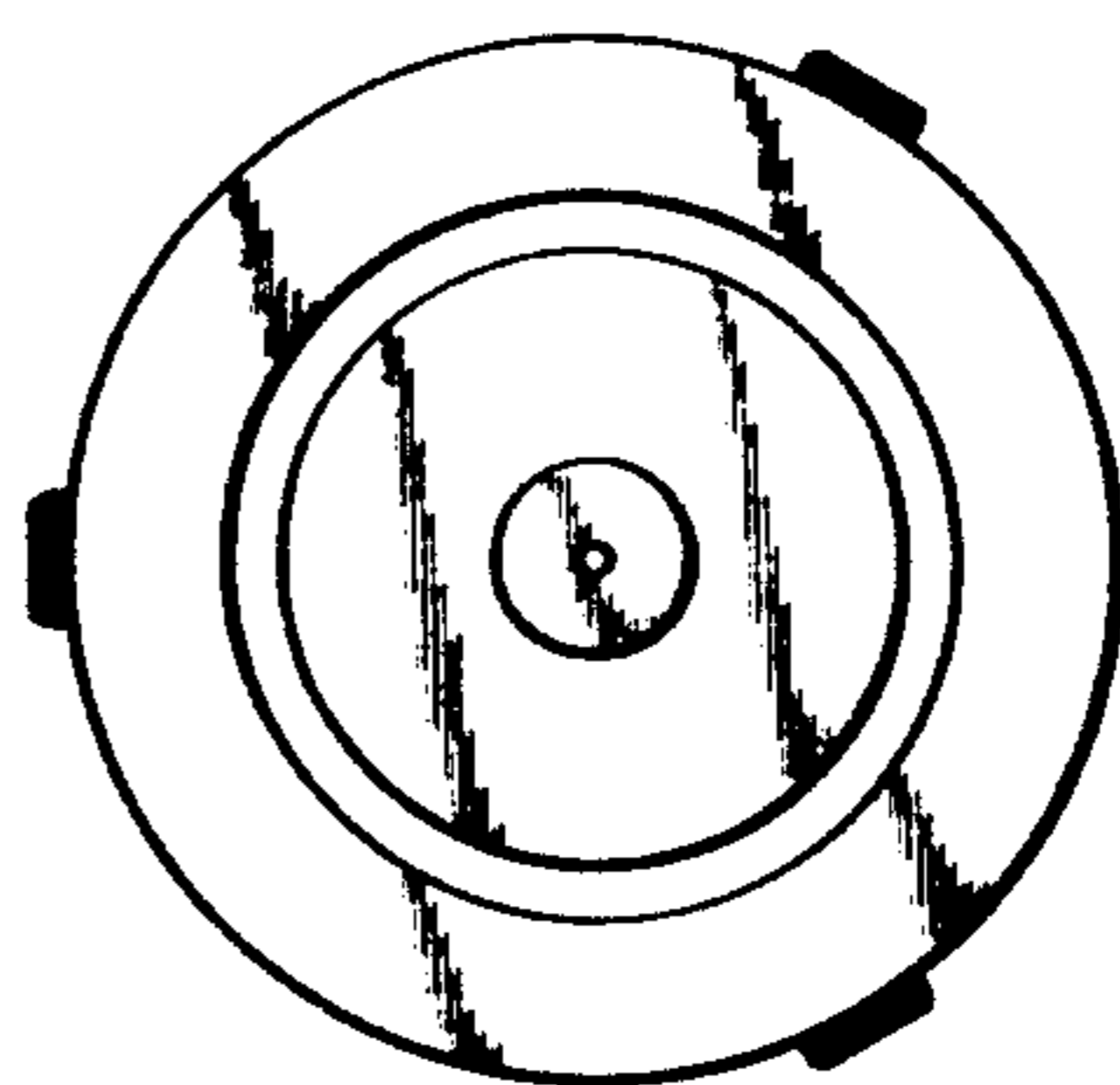


FIG. 5