

[54] POWER UNIT FOR A BLENDER OR THE LIKE

4,143,824 3/1979 Shiotani 366/314 X

[75] Inventor: Robert O. Ernest, Oak Park, Ill.

[73] Assignee: Sunbeam Corporation

[**] Term: 14 Years

[21] Appl. No.: 967,672

[22] Filed: Dec. 8, 1978

[51] Int. Cl. D07-04

[52] U.S. Cl. D7/154

[58] Field of Search D7/153, 154, 155, 156, D7/160, 49; D15/95, 98, 99, 121; 366/205, 314

[56] References Cited

U.S. PATENT DOCUMENTS

- D. 209,652 12/1967 Weiss D7/154
- D. 251,231 3/1979 Hashimoto D7/154 X

OTHER PUBLICATIONS

Industrial Design, Sep. 1973, p. 60, Item #14, top right panel, Waring Blender/Stripper.

Primary Examiner—Winifred E. Herrmann
Attorney, Agent, or Firm—George R. Clark

[57] CLAIM

The ornamental design for a power unit for a blender or the like, as shown and described.

DESCRIPTION

FIG. 1 is a perspective view of a power unit for a blender or the like embodying my new design; FIG. 2 is a front elevational view thereof; FIG. 3 is a side elevational view thereof; FIG. 4 is a top plan view thereof; FIG. 5 is a rear elevational view thereof; and FIG. 6 is a bottom plan view thereof.

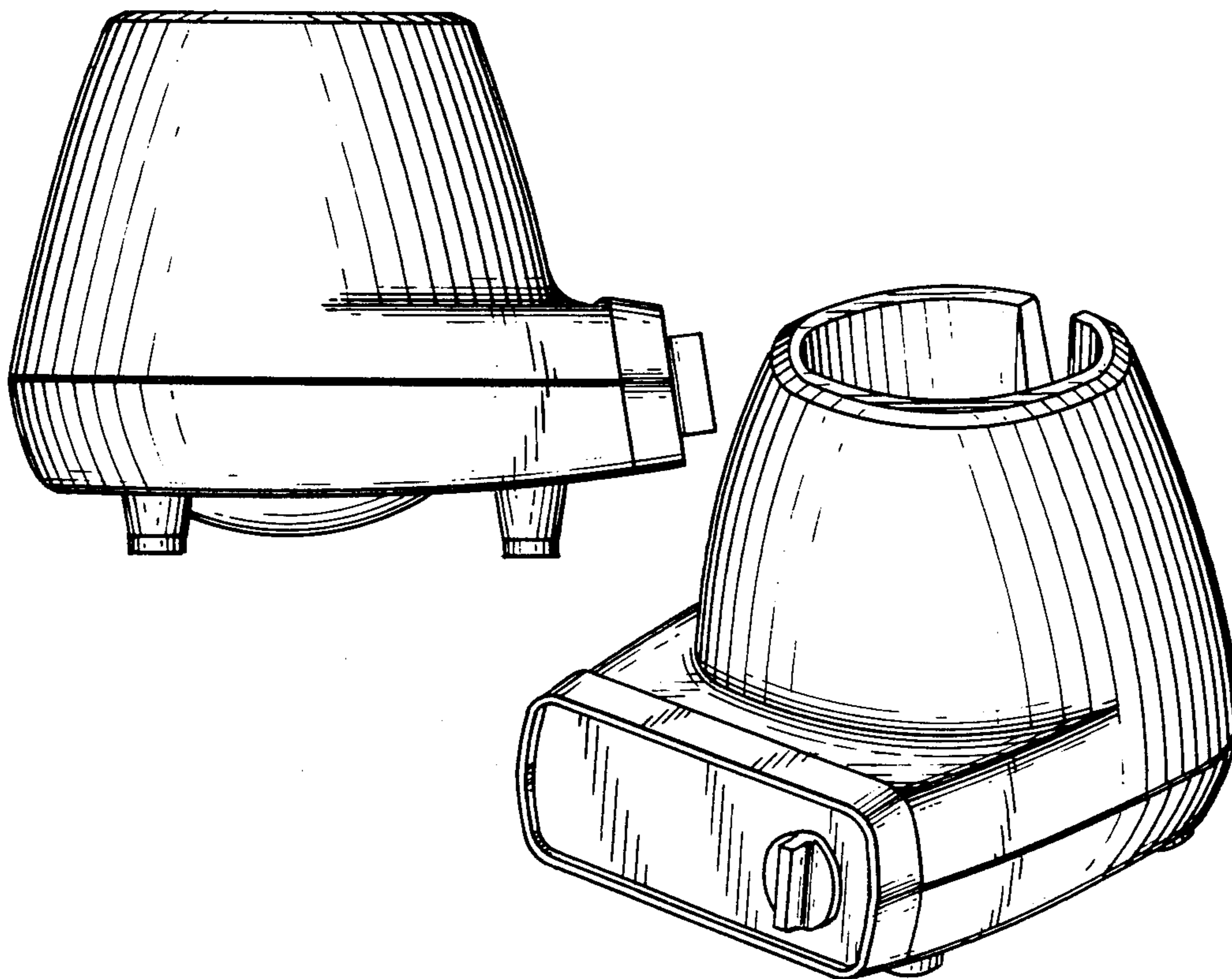


Fig. 1.

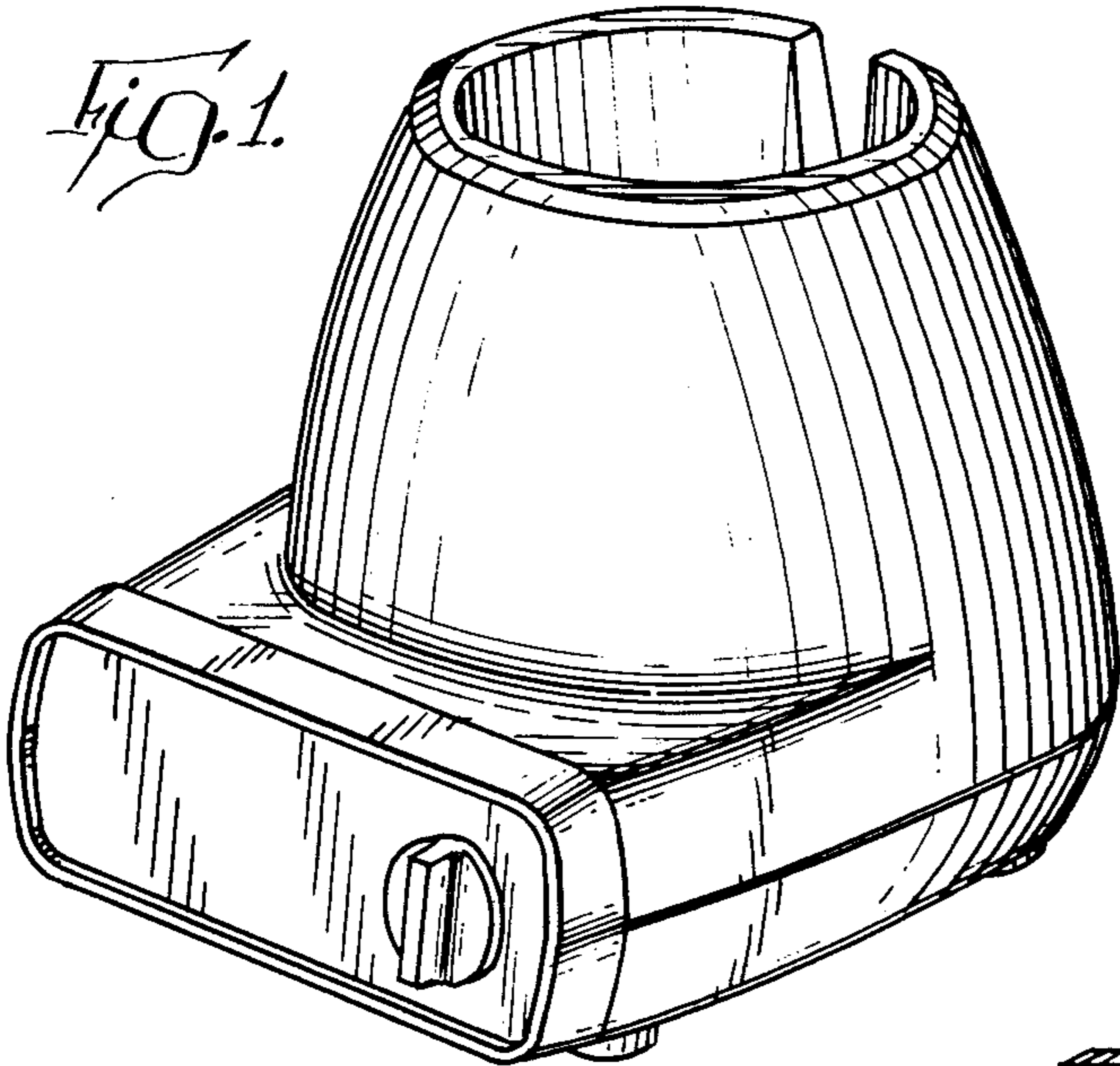


Fig. 2.

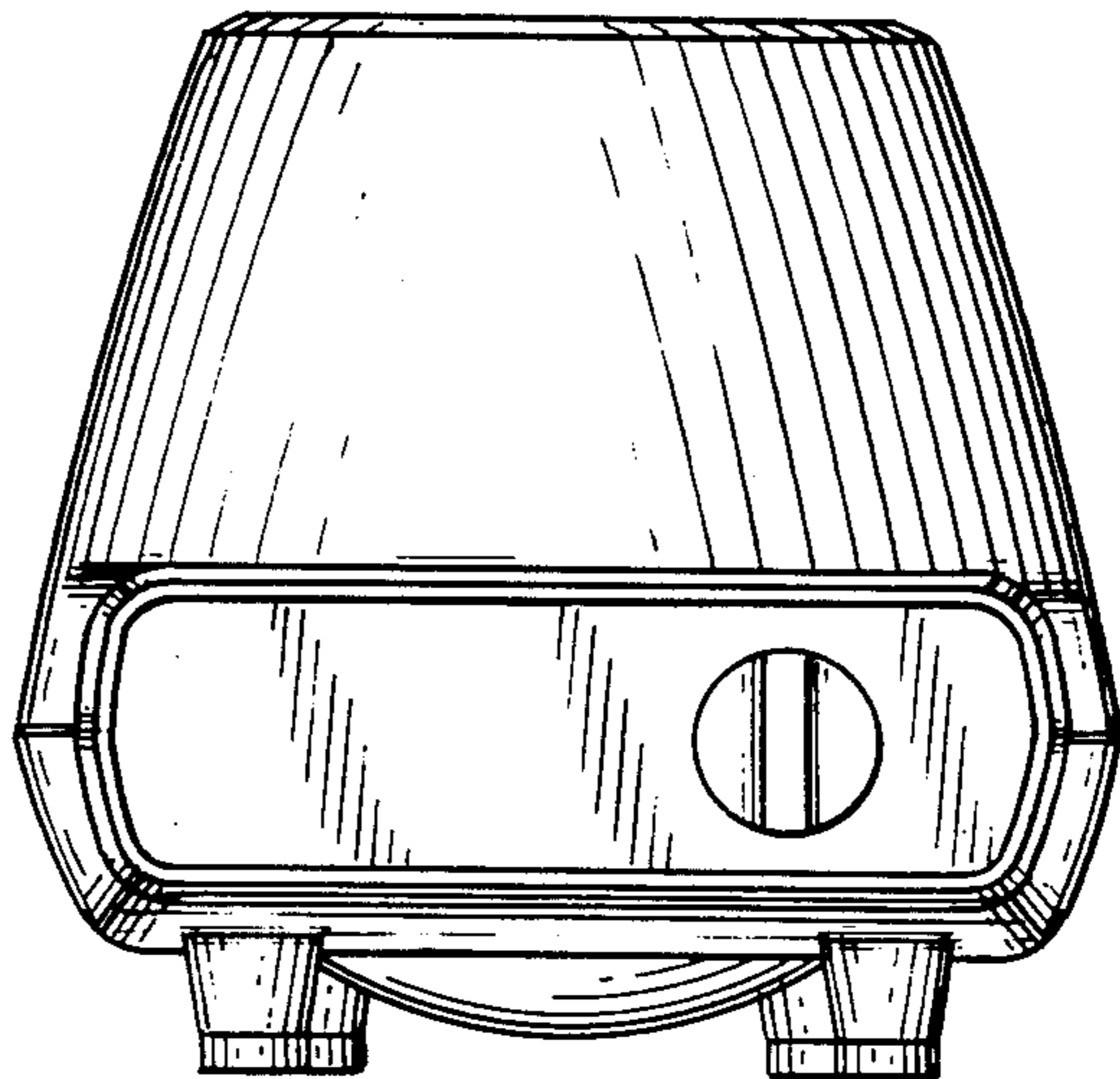


Fig. 3.

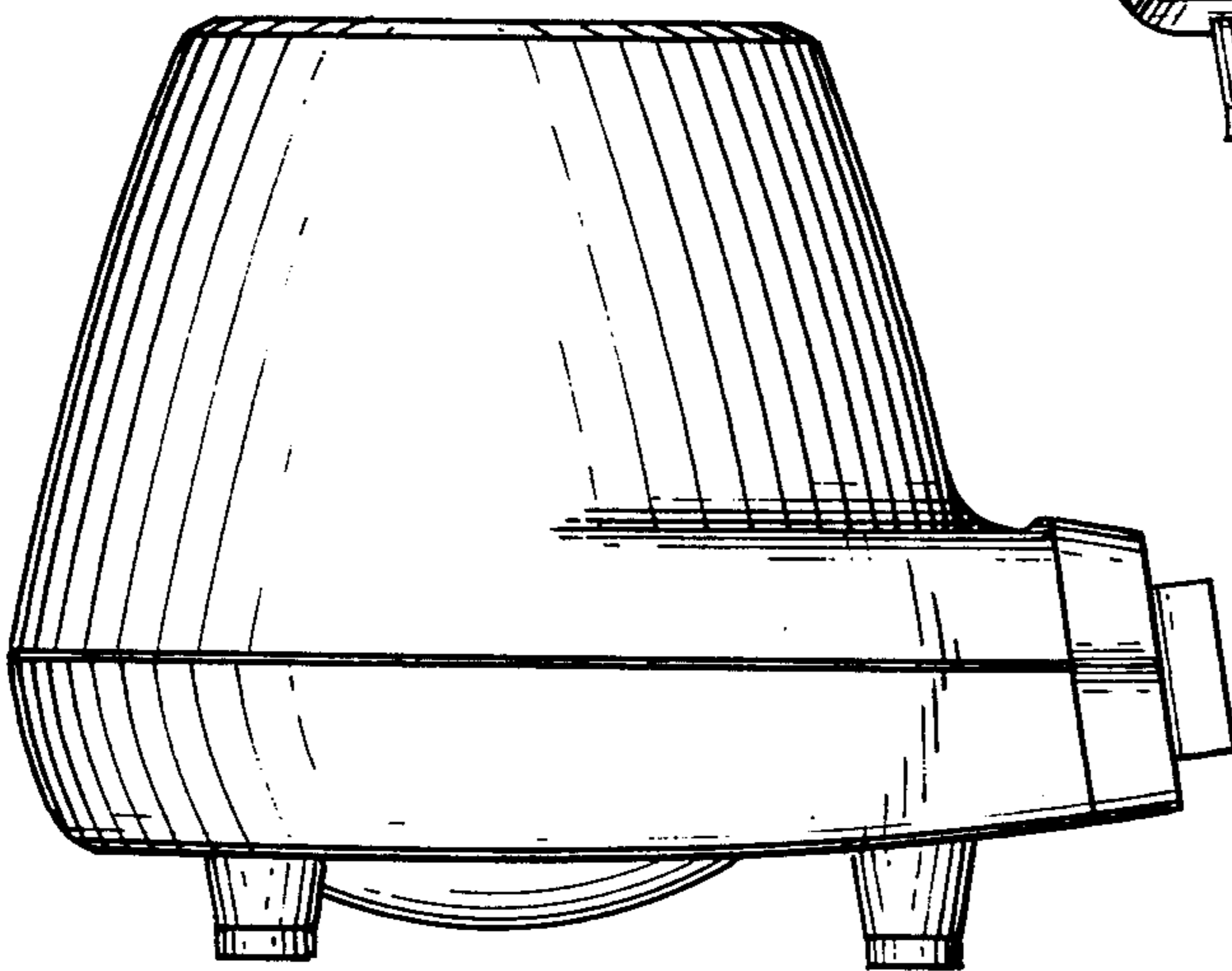


Fig. 5.

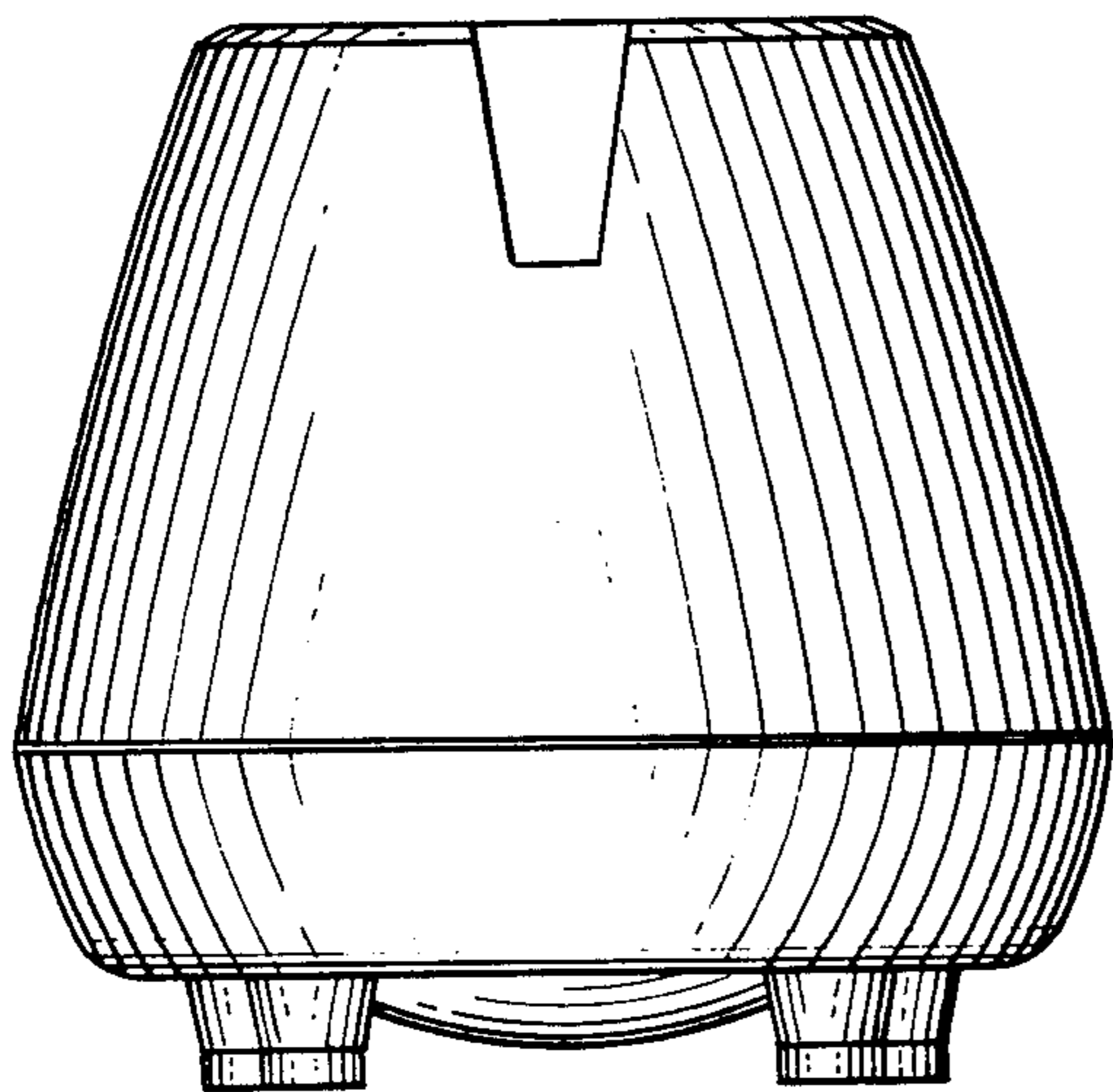


Fig. 4.

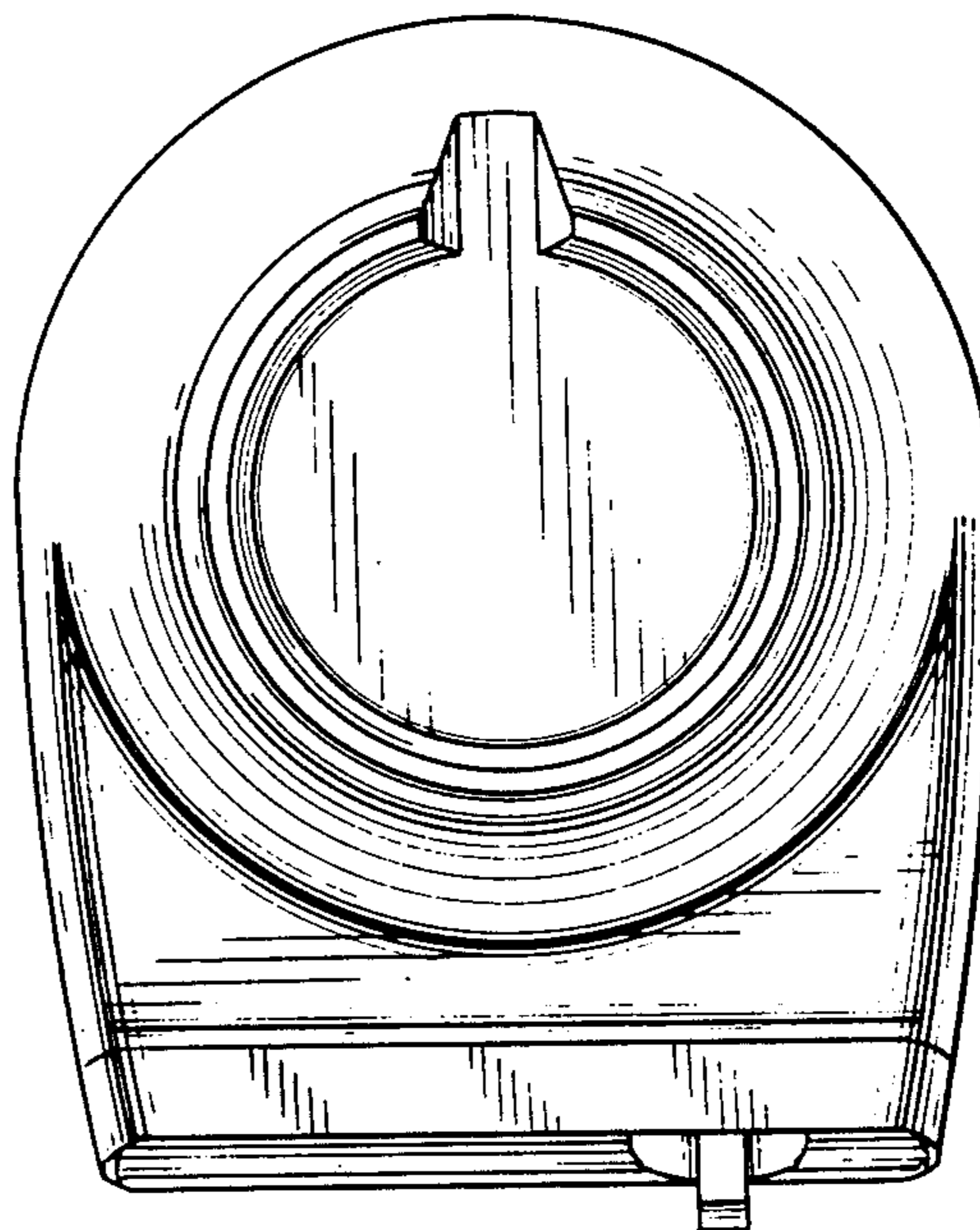


Fig. 6.

