

[54] EGG COOKER

[75] Inventor: Raymond W. Dybala, Chicago, Ill.

[73] Assignee: Sunbeam Corporation

[**] Term: 14 Years

[21] Appl. No.: 922,955

[22] Filed: Jul. 10, 1978

[51] Int. Cl. D7-02

[52] U.S. Cl. D7/94; D7/97

[58] Field of Search D7/3, 22, 85, 90, 94,
D7/96, 97, 16, 17, 18

[56] References Cited

U.S. PATENT DOCUMENTS

D. 43,856	4/1913	Swan	D7/85
D. 90,608	8/1933	Willman	D7/17
D. 243,648	3/1977	Conroy	D7/71
1,059,159	4/1913	Hlavitzer	D7/85 X

OTHER PUBLICATIONS

Best Products, 1975 Buyer's Book #118, p. 258, Item (J)
Cornwall Bun & Roll Warmer, bottom panel, top right.

Primary Examiner—Winifred E. Herrmann
Attorney, Agent, or Firm—George R. Clark

[57] CLAIM

The ornamental design for an egg cooker, as shown and described.

DESCRIPTION

FIG. 1 is a perspective view of an egg cooker embodying my new design;
FIG. 2 is an end elevational view looking toward one end thereof, the opposite end elevational view being substantially identical thereto;
FIG. 3 is a side elevational view thereof, the opposite side view being a mirror image thereof;
FIG. 4 is a top plan view thereof;
FIG. 5 is a bottom plan view thereof.

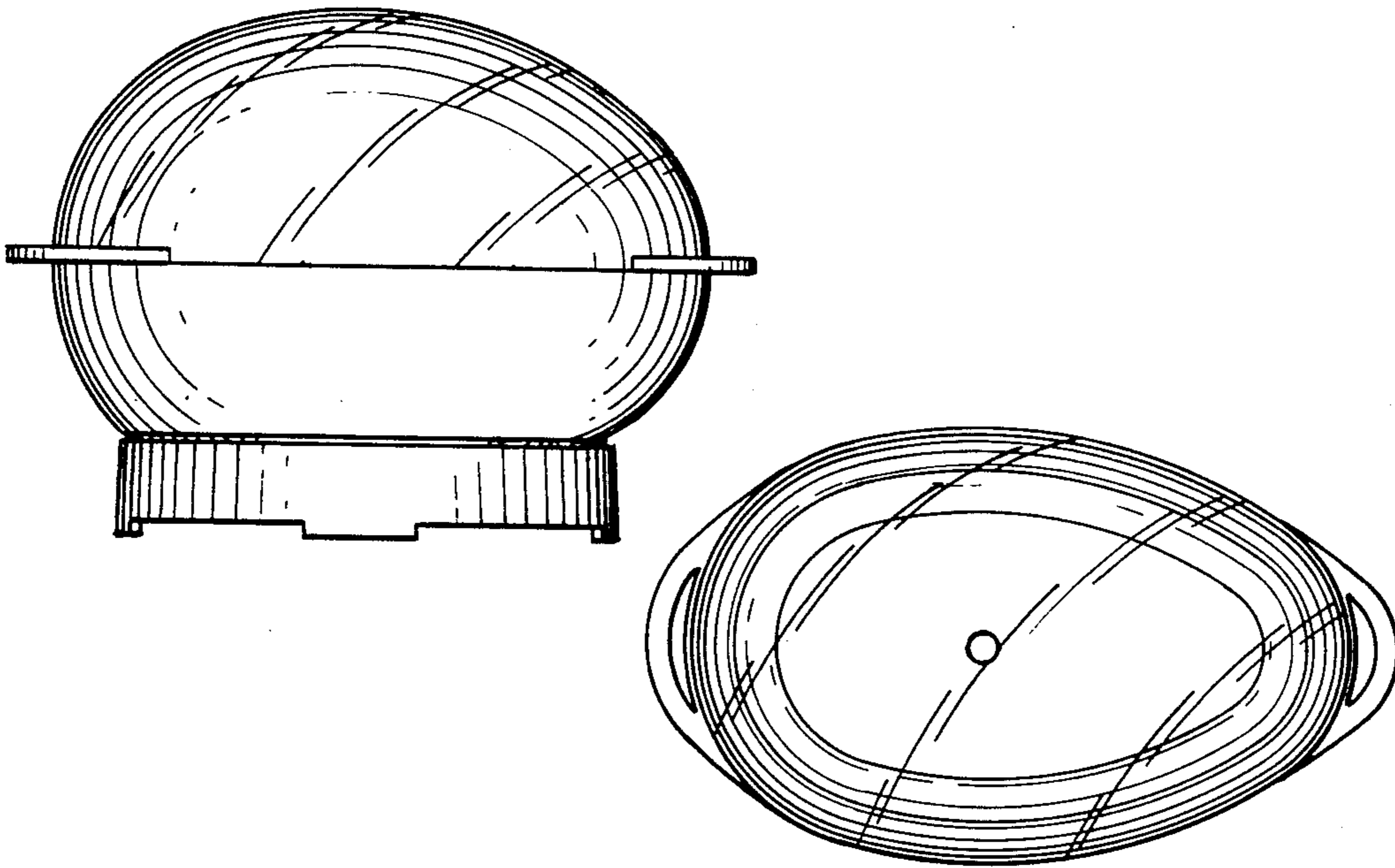


Fig. 1.

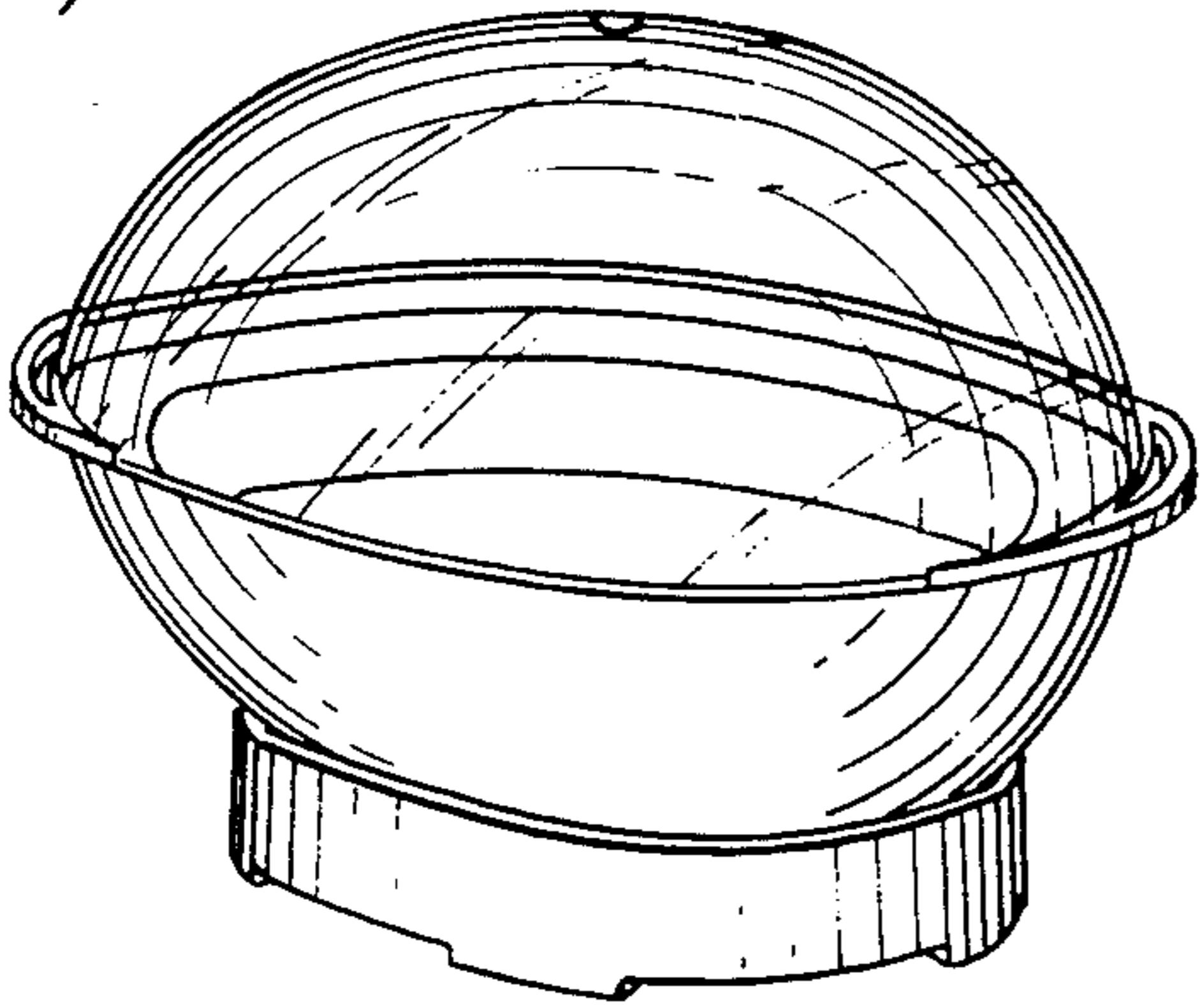


Fig. 2.

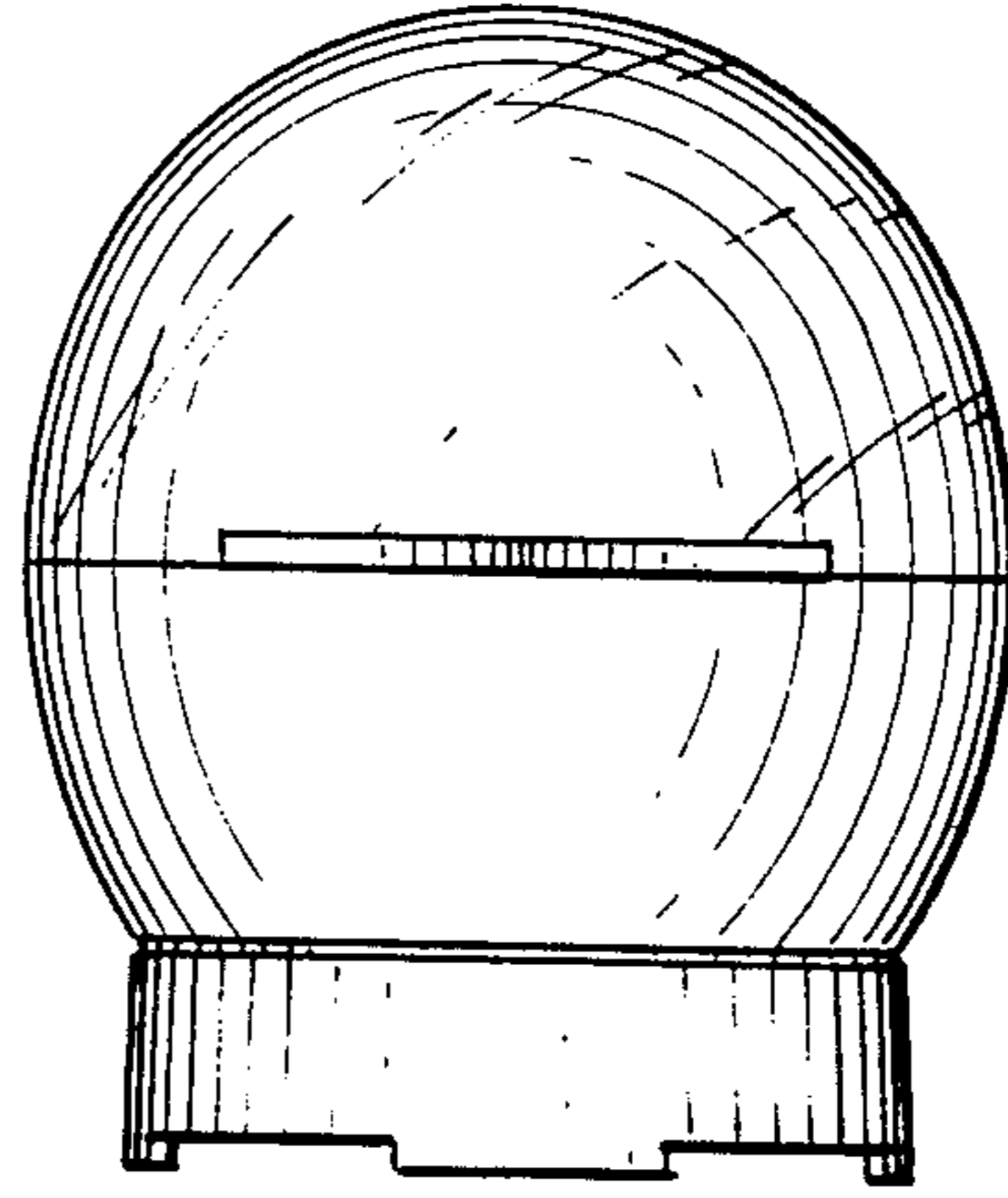


Fig. 3.

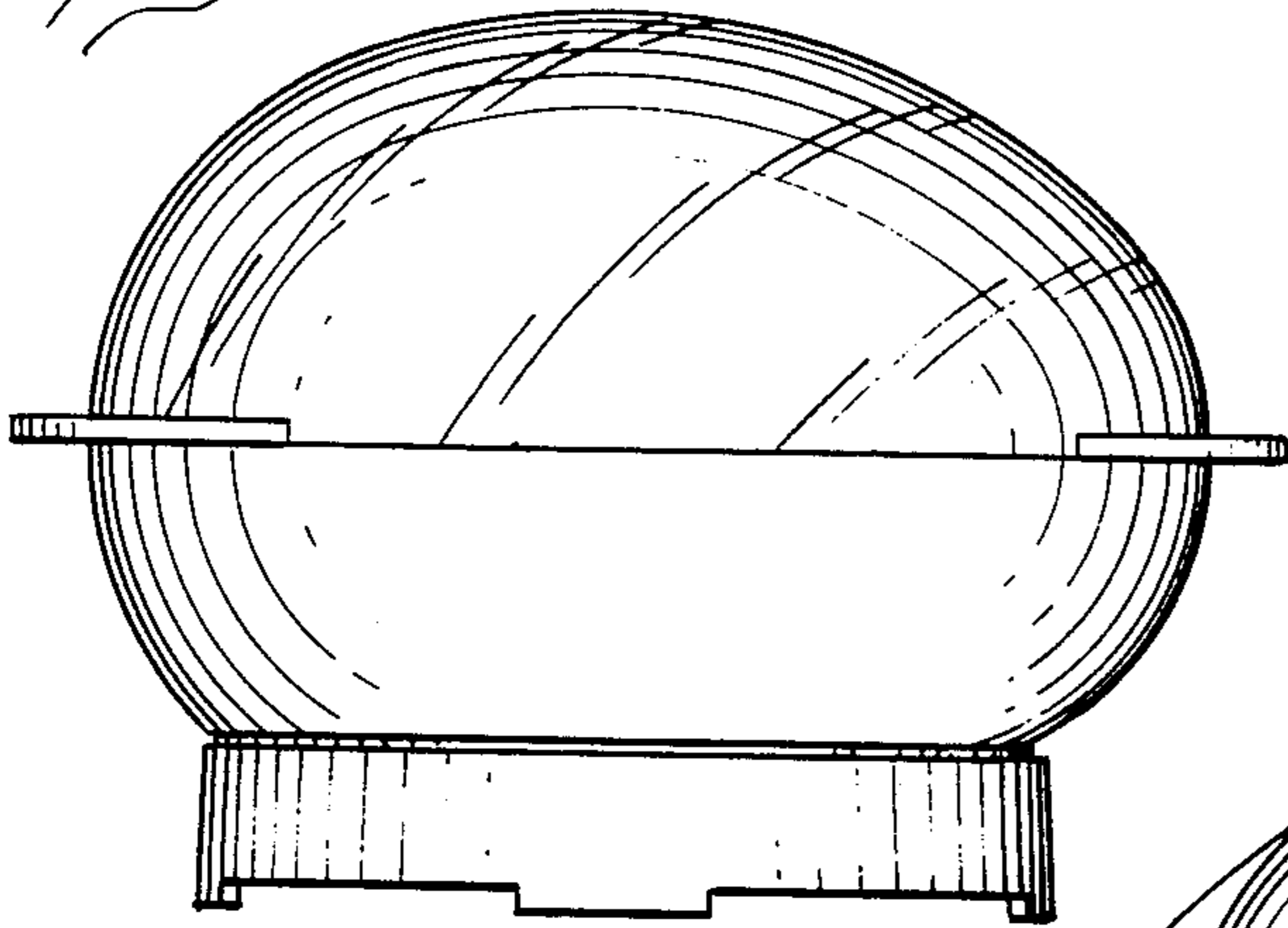


Fig. 4.

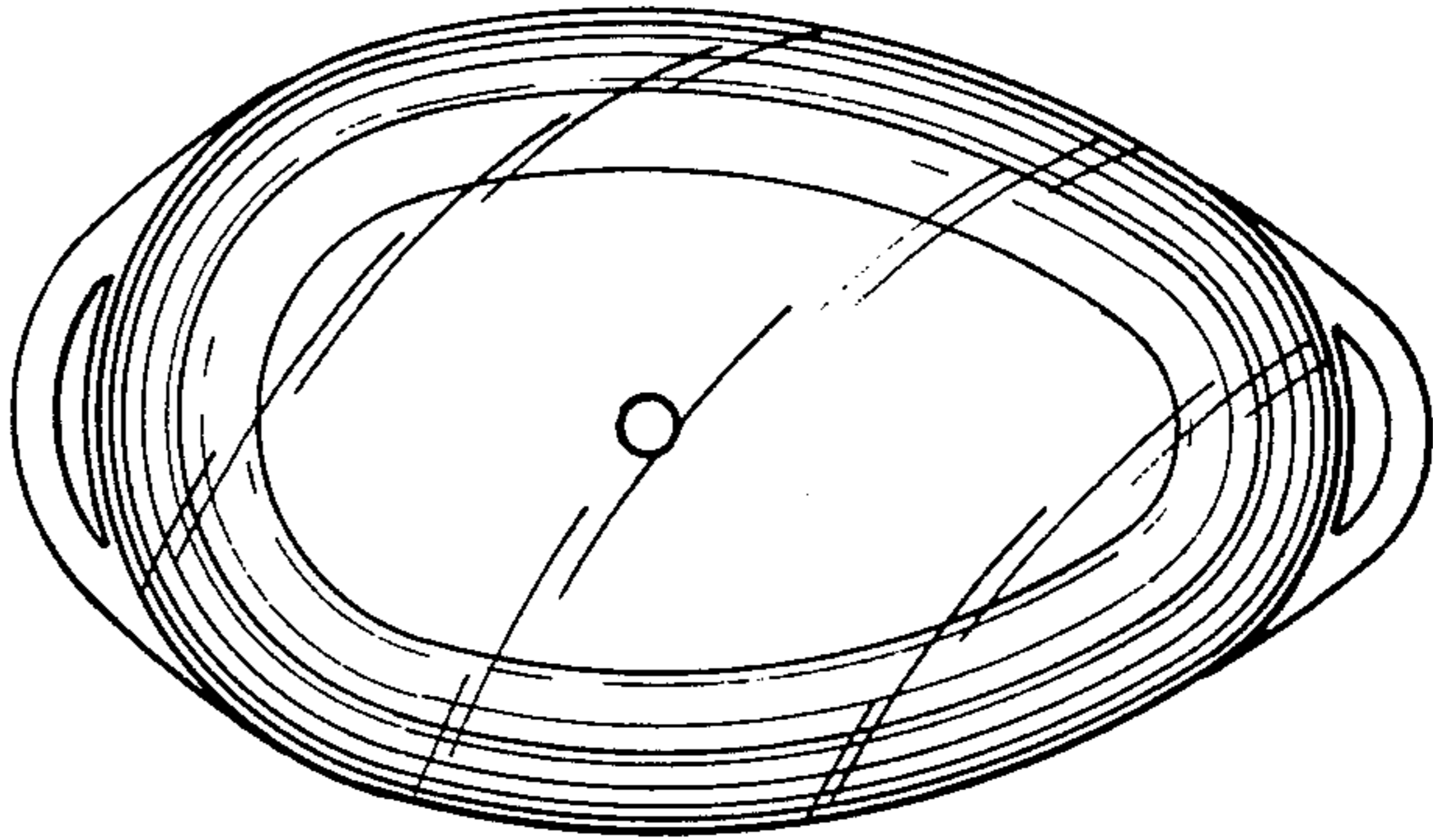


Fig. 5.

